

VICTORY[®]

ULTRASPEC

PROJECT: _____

ITEM # _____ QTY: _____

MODEL # _____

AIA # _____ SIS # _____

SOLID DOOR REACH-IN FREEZER

FS-3D-S1-HC



EXCLUSIVE WARRANTY

- ▶ 7 Year Parts, Labor and Compressor
- ▶ Exclusive 2 Year Warranty On Magnetic Door Gaskets
- ▶ Lifetime Warranty On Handles & Hinges (parts only)

CABINET CONSTRUCTION

- Stainless Steel Exterior And Interior
- Stay-Open Door Feature For Easy Product Loading
- 20 Gauge Stainless Steel Door
- Magnetic Door Switch Automatically Activates Interior LED Light
- Heavy-Duty Cylinder Locks
- Stainless Steel Interior Door Liner
- One Piece, Snap-In Magnetic Door Gaskets
- Low Profile Vertical Door Handles
- Hinged Front Shroud
- Energy Saving Thermal Breaker
- Stainless Steel Breaker Caps
- 9 Silver Freeze Wire Shelves
- 6" High Adjustable Stainless Steel Legs
- 8' Cord And Plug (see electrical data for details)



FEATURES

- Full Electronic Control With Touchpoint Interface
- Expansion Valve Technology
- Manager's Lockout Feature
- Anti-Condensate Perimeter Heater
- Variable Speed Compressor Technology

REFRIGERATION

- Refrigeration System Uses R-290 Refrigerant To Comply With All Environmental Concerns
- Hot Gas Condensate Evaporator
- Adaptive Defrost For Reduced Energy Consumption And More Consistent Product Temperatures
- Epoxy Coated Evaporator Coil, Located Out Of The Food Zone
- Freezer Capable Of Maintaining Product Temperature -10°F



Please Verify Qualifying Units By Visiting:
www.energystar.gov/cfs

OPTIONS & ACCESSORIES

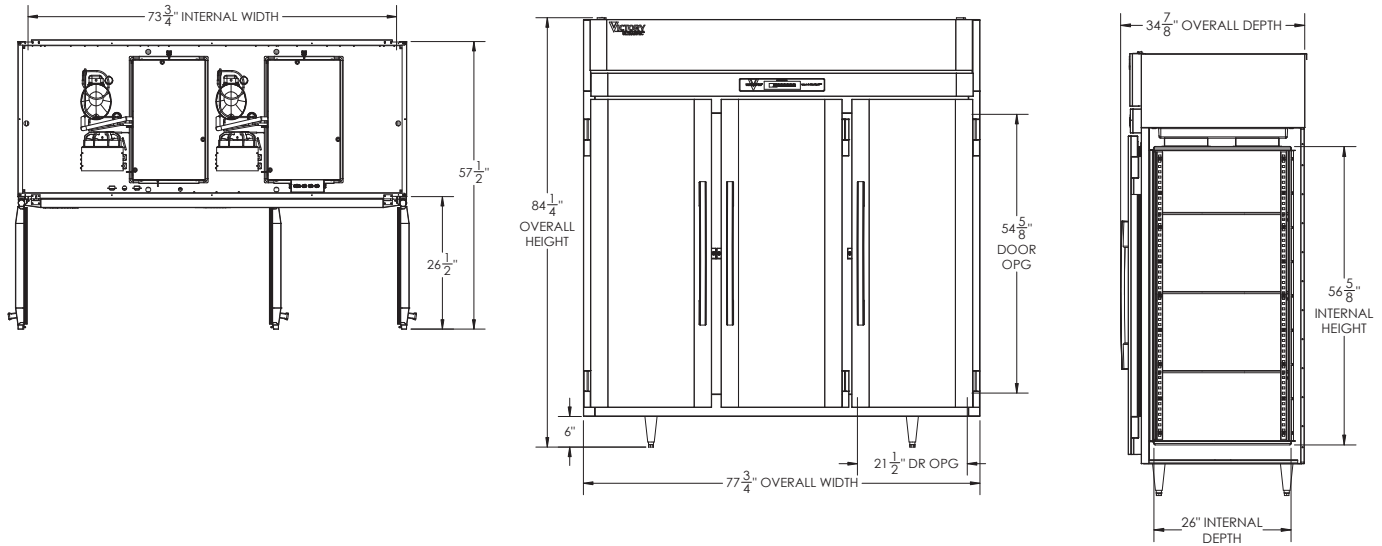
- | | | |
|---|-------------------------------------|---|
| • Stainless Steel Case Back | • Additional Shelves | • FlexTemp Models Maintain Between 28°F And 38°F |
| • Stainless Steel Kick Plate | • Heat Shield (left, right) | • Correctional Package |
| • Exterior Door Laminate | • Tray Slides (type A & A/C) | • Remote Models* (6" legs only)
(refrigerant must be specified at time of order, see note) |
| • Door Swing Orientation (at time of order) | • 3", 6" Casters Or 6" Seismic Legs | |

3779 Champion Blvd, Winston-Salem, NC 27105
 ph: (888) 845-9800 | fax: (800) 253-5168
Sales@VictoryRefrigeration.com | VictoryRefrigeration.com

Rev. 2/21/25 Printed in U.S.A.

APPROVAL: _____ DATE: _____

SOLID DOOR REACH-IN FREEZER



We reserve the right to change specifications and product design without notice. Such revisions do not entitle the buyer to corresponding changes, improvements, additions or replacements for previously purchased equipment. Dimensional tolerances +/- 1/4". Metric dimensions (MM)

12" Top clearance is required

CHARACTERISTICS		ELECTRICAL DATA		SHIPPING DETAILS	
Net Capacity (cubic ft.)	68.34	Cabinet Voltage**	115/60/1	Height	88"
Width, Overall (in.)	77 3/4"	Total Amps	13.9	Width	87"
Depth, Overall (with handle)	34 7/8"	NEMA Plug (8' cord)	5-20P	Depth	45"
Height, Overall (6" legs)	84 1/4"	REFRIGERATION DATA		Crated Weight	820 lbs
Depth, Door Open 90°	57 1/2"	Condensing Unit Size, HP	3/4	*NOTE: Remote units are field wired and comes with 6" legs. Refrigerant must be specified at time of order.	
Door Openings (in.)	21 1/2" x 54 5/8"	Refrigerant	R-290		
No. Of Doors/Shelves	3/9	Capacity (BTU/HR) (100°F/-20°F)	4900		
		Heat Rejection (BTU/HR)	7350		
		Charge (lbs/grams/ounces)	0.2866 / 130 / 4.59		

** NOTE: This unit utilizes variable speed compressor technology. The compressor can experience nuisance tripping on Class A GFCI outlets which have a trip limit of 4 mA to 6 mA. To avoid this issue in a location that requires GFCI circuit protection, Victory recommends using either an Eaton, SGF20, or HUBBELL Model Number GFRST83W 20A Heavy Duty Hospital Grade Self-Test GFCI Receptacle.

3779 Champion Blvd, Winston-Salem, NC 27105 | ph: (888) 845-9800 | fax: (800) 253-5168

Sales@VictoryRefrigeration.com | VictoryRefrigeration.com

Rev. 2/21/25 Printed in U.S.A.



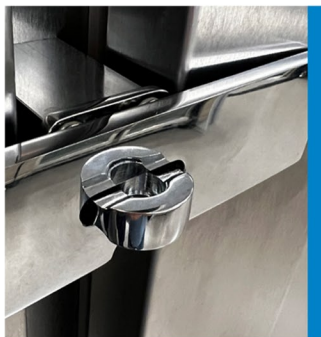
KEY FEATURES



Tamper-proof screws used throughout



Lexan-covered controller for product safety



Padlock hasp provides additional security of internal cabinet



Welded-in-place tray slides for either hotel or full sheet pans

Specially fortified for a 150lbs weight limit!

Available Models:

RS-1D-S1-HC-CP-COOKS
 RS-2D-S1-HC-CP-COOKS
 RS-3D-S1-HC-CP-COOKS
 FS-1D-S1-HC-CP-COOKS
 FS-2D-S1-HC-CP-COOKS
 FS-3D-S1-HC-CP-COOKS
 HS-1D-1-CP-COOKS
 HS-2D-1-CP-COOKS

RS-1D-S1-PT-HC-CP-COOKS
 RS-2D-S1-PT-HC-CP-COOKS
 RS-3D-S1-PT-CP-COOKS
 FS-1D-S1-PT-HC-CP-COOKS
 FS-2D-S1-PT-HC-CP-COOKS
 HS-1D-1-PT-CP-COOKS
 HS-2D-S1-PT-HC-CP-COOKS
 RIS-1D-S1-HC-CP-COOKS

RIS-2D-S1-HC-CP-COOKS
 FIS-1D-S1-HC-CP-COOKS
 FIS-2D-S1-HC-CP-COOKS
 HIS-1D-1-CP-COOKS
 HIS-2D-1-CP-COOKS
 RIS-2D-S1-PT-HC-CP-COOKS
 HIS-2D-1-PT-CP-COOKS