



Symphony Plus™ ice and water dispenser

25 & 50 CI series countertop with Chewblet® ice machine

Features

25 or 50 lb (11.4 or 22.7 kg) ice storage capacity

Counter-height removable air- or water-cooled ice machine with up to 425 lb (193.0 kg) daily production of popular Chewblet ice

- modular ice machine slides out from behind lower front panel
- soft, chewable, compressed nugget ice is preferred over cubes¹ and is ideal for patient care

New - Quiet Night™ sleep mode turns off ice machine when idle

Designed with sanitation in mind

New - automatic self-flushing of ice machine removes impurities

New - drain cup provides internal air gap for added protection of food zone components from drain line contaminants

- Agion® silver-based antimicrobial provides protection of key ice and water contact components²
- one-hand lever or SensorSAFE infrared ice dispense

Reliable design, easy to service and clean

New - cleaning and sanitizing of entire machine takes only 1 hour

New - LED control board provides at-a-glance machine status
- panels are easily removed for accessibility to all components

- ice machine parts are common across all Symphony Plus dispensers
- stainless steel evaporator and auger deliver long life

Environmentally responsible

- meets Consortium for Energy Efficiency Tier 2 specifications
- R404a refrigerant has zero ozone depletion potential
- ice-only dispensers are ENERGY STAR® certified
- continuous ice making process uses less electricity and water

Durable, attractive dispenser

- frame and exterior cabinet are stainless steel with accent trim
- poly drain pan, grille and dispenser lid are corrosion-resistant
- secured top lid

New

Easy installation and industry's best warranty

- comes fully assembled and installs with three easy connections – electric, water and drain
- warranty – 3 years parts and labor, 5 years compressor parts

SensorSAFE™ infrared dispense option



SensorSAFE not recommended for use with clear containers or for applications in direct sunlight

Ice and water dispensers, 115V/60 Hz			
Ice storage capacity	Dispense	Ice machine cooling	Item number
25 lb (11.4 kg)	Lever	air	25CI425A-L
		water	25CI425W-L
	SensorSAFE	air	25CI425A-S
		water	25CI425W-S
50 lb (22.7 kg)	Lever	air	50CI425A-L
		water	50CI425W-L
	SensorSAFE	air	50CI425A-S
		water	50CI425W-S

Ice-only available, add -I
Example: 25CI425A-LI

Ice production		
Temperatures air/water	70/50 F (21/10 C)	90/70 F (32/21 C)
Air-cooled	425 lb (193.0 kg)	325 lb (147.6 kg)
Water-cooled	486 lb (220.6 kg)	408 lb (185.2 kg)
Energy consumption per 100 lb (45.4 kg) ice	N/A	6.3 kWh air-cooled 4.3 kWh water-cooled
Condenser water consumption	N/A	0.5 gpm (1.9 Lpm) at 70 F (21 C) water
Water consumption	12.0 gal (45.4 L) of potable water per 100 lb (45.4 kg) of ice	

Accessories

Base stand (item# 25AND50BASE-00) (to install filters in the base stand, refer to the price list for additional options)

SafeCLEAN™ environmentally responsible ice machine cleaner (item# 00132001)

Nu-Calgon® IMS-II sanitizer, 16 oz bottle (item# 00979674)

Additional filters (refer to form# 6380, 9905, 6070)

Additional Symphony Plus accessories (refer to price list)

Job

Item

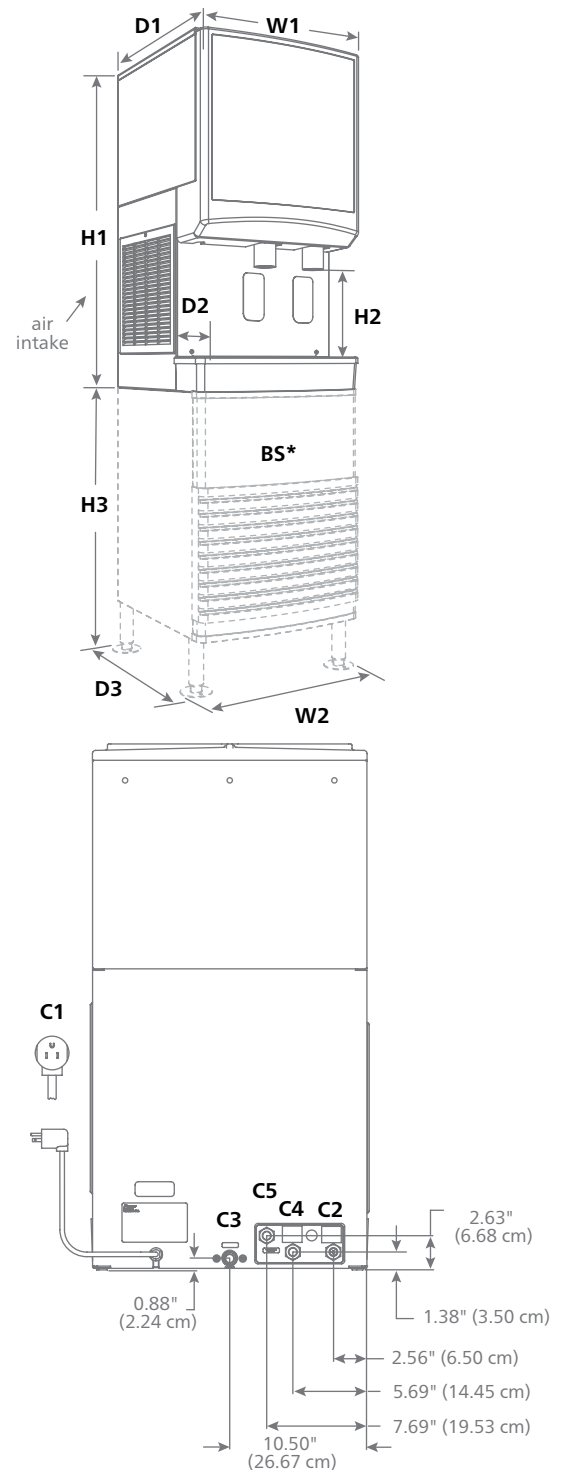
Specification

Ice storage capacity	25 Series – 25 lb (11.4 kg), 50 Series – 50 lb (22.7 kg)
W1 Width, dispenser	21.00" (53.3 cm)
W2 Width, base stand accessory	22.75" (57.8 cm)
D1 Depth, dispenser	24.00" (61.0 cm)
D2 Depth, drain pan	7.00" (17.78 cm)
D3 Depth, base stand accessory	24.38" (61.9 cm)
H1 Height	25 Series – 36.00" (91.4 cm), 50 Series – 40.00" (101.6 cm)
H2 Dispense height clearance	10.50" (26.7 cm)
H3 Height, base stand	33.00" (83.8 cm)
Ventilation clearance	air-cooled models only – 3.00" (7.62 cm) all sides
Service clearance	air-cooled models – 12.00" (30.5 cm) top, 6.00" (15.24 cm) left side water-cooled units – 12.00" (30.5 cm) top
Utility connection location	back or bottom
C1 115 V/60/1 electrical	11 amps, 0.8 kW 7' (2.1 m) cord, NEMA 5-15 90° hospital-grade plug
C2 Potable water inlet	3/8" FPT
C3 Drain	3/4" MPT
Water-cooled model connections	
C4 condenser inlet	3/8" FPT
C5 condenser drain	3/8" FPT
Heat rejection	air-cooled models – 5000 BTU/hr, water-cooled models – 1400 BTU/hr to air, 3600 BTU/hr to water
Water flow requirement for water-cooled models	0.25 gpm at 50 F 0.5 gpm at 70 F 1.25 gpm at 90 F
Air temperature	50 - 100 F (10 - 38 C)
Water temperature	45 - 90 F (7 - 32 C)
Potable water pressure	10 - 70 psi (69 - 483 kpa)
Condenser water pressure	10 - 125 psi (69 - 861 kpa)
Approximate ship weight	226 lb (103 kg)
Approximate ship weight, base stand accessory	110 lb (50 kg)

NOTE: For indoor use only

SHORT FORM SPECIFICATION: (Choose one) ___ Ice and water or ___ ice-only dispenser to be Follett® automatic load in countertop configuration, with ___ 25 lb (11.4 kg) or ___ 50 lb (22.7 kg) of storage. Environmentally responsible R404a ice machine (choose one) ___ air- or ___ water-cooled and to be removable for cleaning and maintenance. Dispenser frame and cabinet stainless steel with plastic trim. Ice machine to produce approximately 425 lb (193.0 kg) of Chewblet compressed nugget ice at air temperature of 70 F (21 C), water temperature of 50 F (10 C). Ice machine equipped with automatic self-flushing and Quiet Night sleep mode. Dispenser to have automatic bin level control to start and stop ice machine. Storage area insulated with non-CFC, high density, foamed-in-place polyurethane. 7' (2.1 m) cord and NEMA 5-15 90° hospital-grade plug provided. NSF and ETL listed.

Dimensional drawing



BS* – Base stand sold separately; measurements shown are with base stand legs at lowest position
See dispenser detail sheet, form# 6675, for counter cut outs.

- 1 Independent third party studies. Contact Follett for details.
- 2 Disclaimer: Antimicrobial protection is limited to the treated components and does not treat water or ice.

Agion is a registered trademark of Sciessent LLC.

ENERGY STAR and the ENERGY STAR mark are registered US marks.

Calgon is a licensed tradename distributed by Nu-Calgon, in the United States.

Symphony Plus, SensorSAFE, SafeCLEAN and Quiet Night are trademarks of Follett Corporation.

Chewblet and Follett are registered trademarks of Follett Corporation, registered in the US.

Follett reserves the right to change specifications at any time without obligation. Certifications may vary depending on country of origin.

25/50 CI series countertop