



# HIGH PRESSURE WATER PUMP BREAKDOWN

HP-2070R



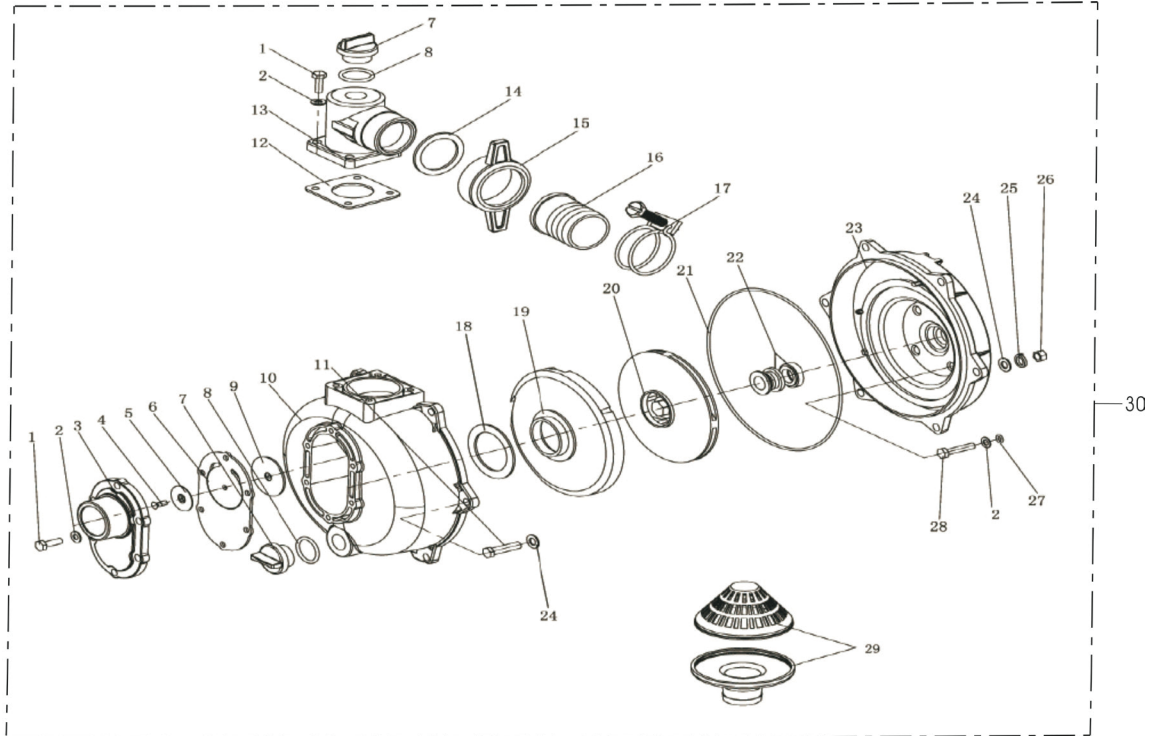
REF #	DESCRIPTION	QTY	NOTES
N/A	Powerase 210cc Engine	1	See 85.570.070 Breakdown



# HIGH PRESSURE WATER PUMP BREAKDOWN

HP-2070R

## WATER PUMP ASSEMBLY



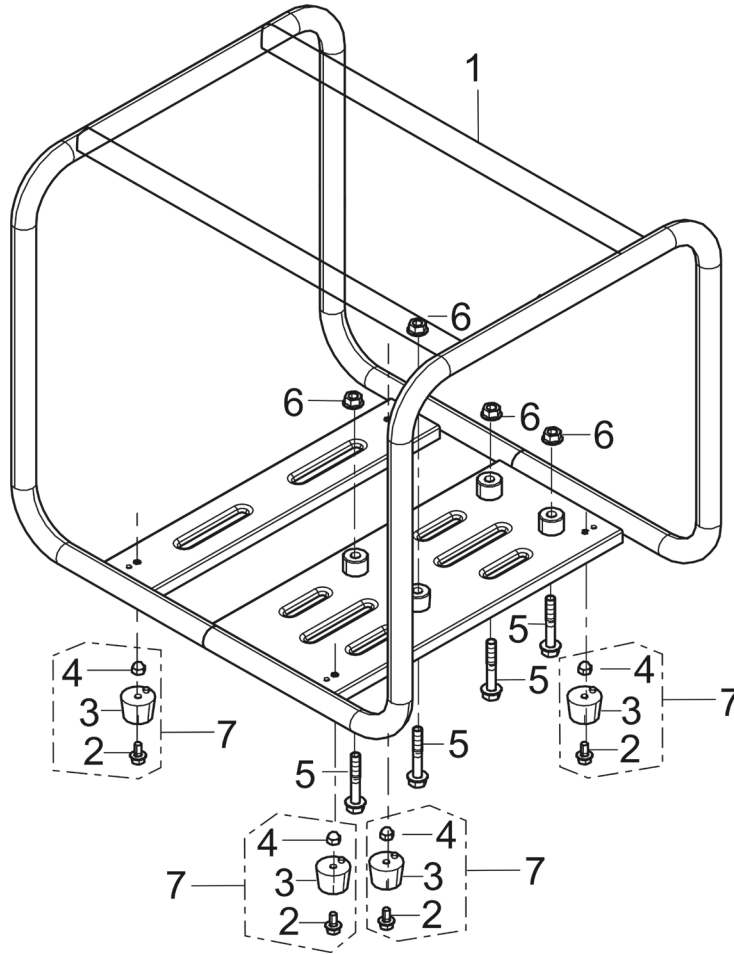
REF #	DESCRIPTION	QTY	BE PART #
3	Water Inlet	1	85.571.142
13	Water Outlet	1	85.571.142
6	Water Inlet Gasket	1	85.571.143
12	Outlet Gasket	1	
18	Whorl Case Sealing Ring	1	
21	Water Pump Joint Cushion	1	
22	Porcelain Seal	1	
23	Impeller Seal	1	
24	Mechanism Seal Assy	1	
27	Gasket	4	
7	Thread Plug	2	
8	Screw Plug Washer	2	
10	PUMP BODY	1	85.571.145
19	Whorl Case	1	85.571.146
20	Water Pump Impeller	1	85.571.141
23	Water Pump Joint	1	85.571.147



# HIGH PRESSURE WATER PUMP BREAKDOWN

HP-2070R

## FRAME ASSEMBLY



REF #	DESCRIPTION	QTY	BE PART #
2	Bolt	4	50.002.205
3	Engine Frame Shock Absorption Seat	4	
4	Acorn Nut	4	