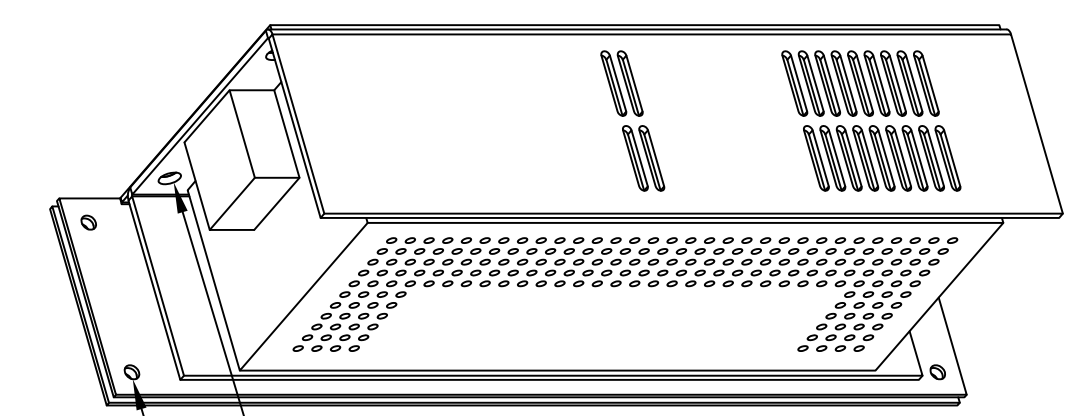
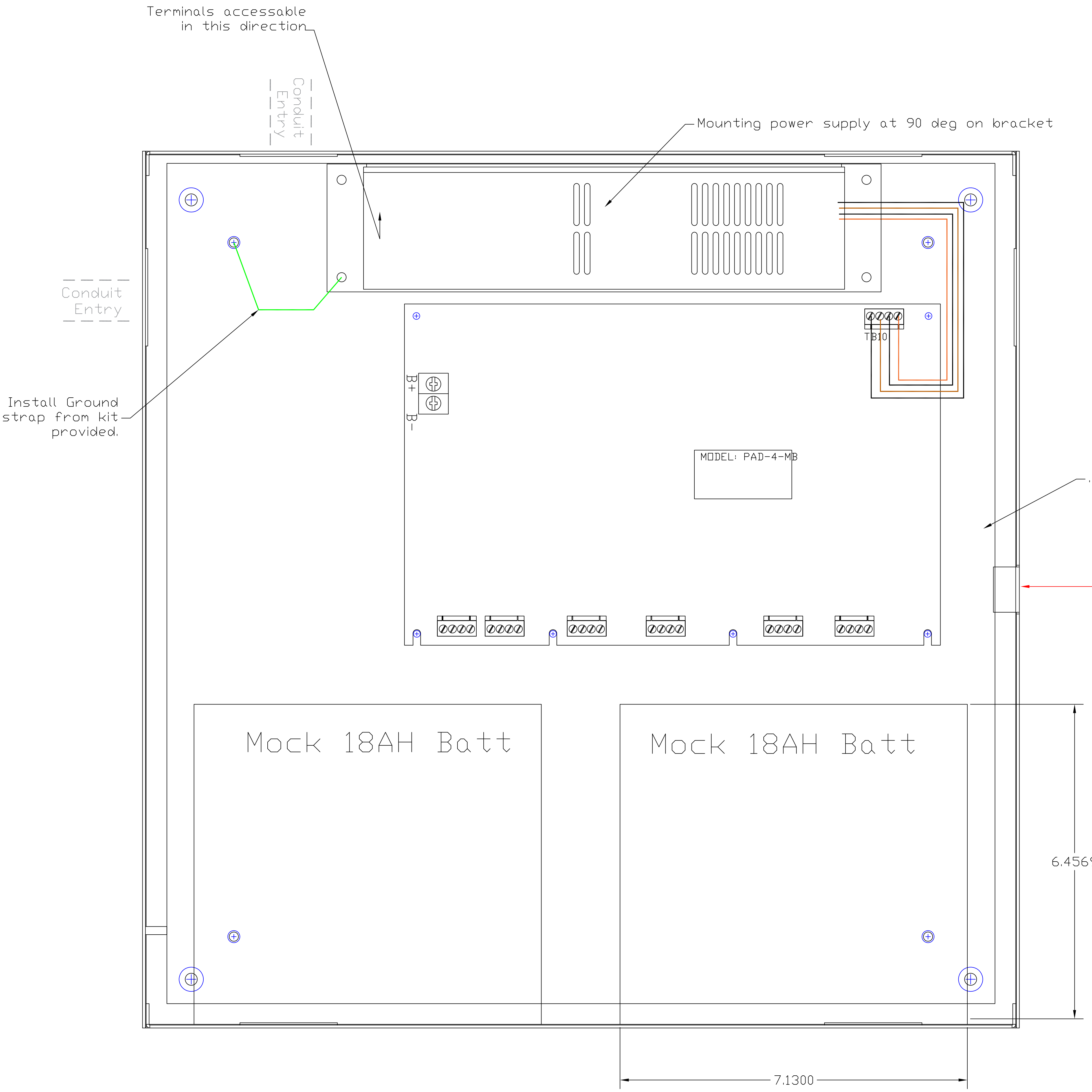
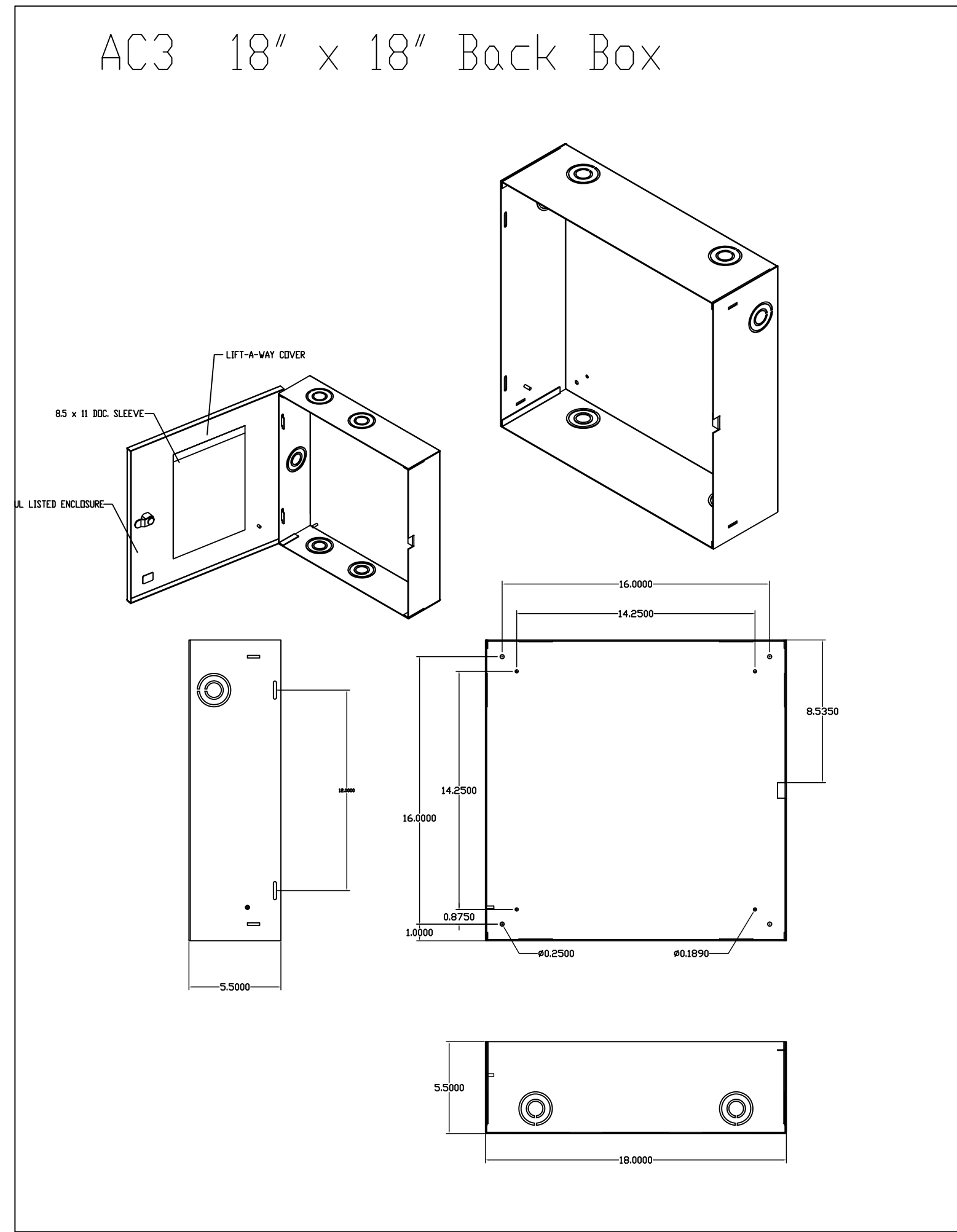


REVISED BY:	DATE OF REVISION:	REV:	REVISIONS:
DM	9/12/17	2	Update to actual PAD4-MB board.
PB	9/22/17	3	Update to actual PAD4-MB board; add P.S.
PB	9/27/17	4	Revise layout, Add Batteries
DM	10/12/17	5	Change power supply mounting to 90deg.
DM	10/12/17	6	Add Ground Strap Note



FP2012 power supply mounts to 'L' bracket w/ 1/4-20 stud and nut. (4pl.)

Bracket mounts to back plate with support plate w/ 10-32 studs and nuts (4 pl.). This allows power supply to be removed for wiring and service



.125" non conductive PVC back plate

T45-LOCK

APPROVED BY: \_\_\_\_\_

AC-3 SPECIFICATIONS		CUSTOMER: dwg322	
CABINET SIZE/PN: AC-3	SCALE: 1:1	SAE/OWNER: SAE#	PART NO: VS000394
UNIT COLOR: BLACK	COVER SCREENING:	DRAFTER: <i>BP</i>	TITLE: SIEM AC3 BLACK PAD-4 CABINET
INSTALLATION: INDOOR DRY	ALL WIRES 16 AWG UL3226 UNLESS OTHERWISE NOTED.	MANUFACTURING:	SIZE: D
WIRING DETAILS:		ENGINEERING:	FILE LOCATION: :VS
			SHEET: 1/1
			DWG: VS000394
			REV: 6
			CODE:

CONFIDENTIAL INFORMATION: The information contained in this document is the property of Space Age Electronics, Inc. The holder of this document shall keep all information contained herein confidential and shall protect same in whole or in part from disclosure and dissemination to all third parties.