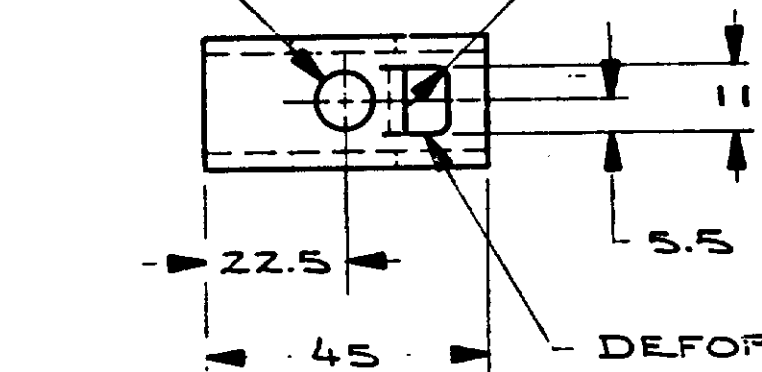
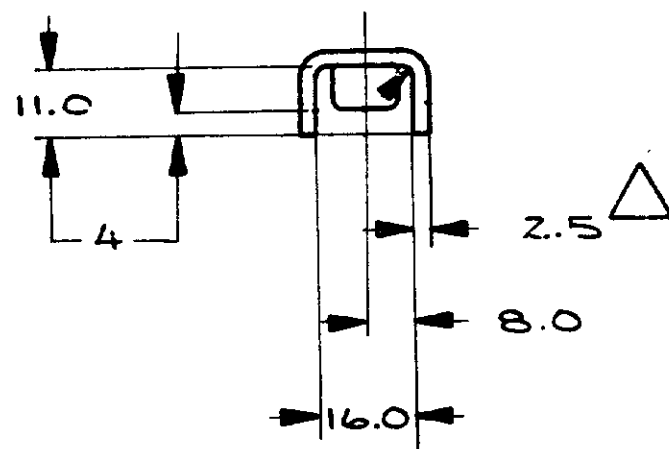
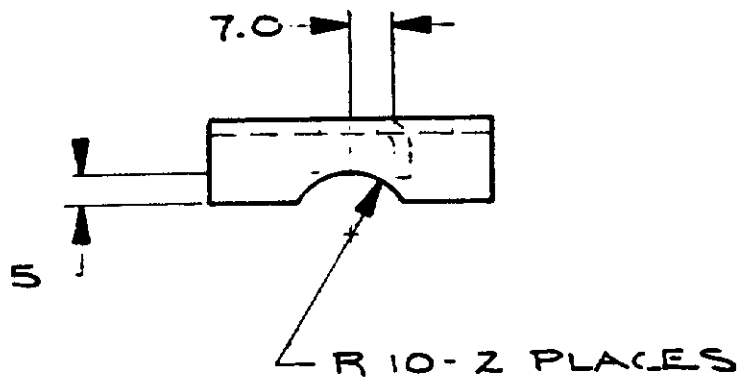


Ø 9.50 R 1.5 - 2 PLACES



DEFORMATION PERMISSIBLE

R 1.5 - 3 PLACES



△ OPTIONAL SIZE
.112/.096 INCH

REF:
USE WITH 25-225 SQ. NUT

WT. 0.03 Kg.

OTHER RELEASE NO	REV LETTER	ENG CONTROL RELEASE NO	REV LETTER	CHANGES	BY	DATE	CHK

METRIC TOLERANCES UNLESS OTHERWISE SPECIFIED:
 WHOLE NUMBERS = ± 1.5; TWO PLACE DECIMALS = ± 0.25
 ONE PLACE DECIMALS = ± 0.5; ANGULAR DIMENSIONS = ± 2

THIRD ANGLE PROJECTION THIS PRINT AND THE INFORMATION CONTAINED HEREON IS A CONFIDENTIAL DISCLOSURE. THE SUBJECT MATTER OF WHICH IS THE PROPERTY OF THE JI CASE CO AND ITS SUBSIDIARY NAMED HEREON

UNLESS OTHERWISE SPECIFIED:
 DIMENSIONS ARE IN MILLIMETRES
 SURFACE ROUGHNESS IN MICROMETRES AS

GEOMETRIC DRAWING SYMBOLS
 USAGE OF SYMBOLS AND MODIFIERS SHALL CONFORM TO CASE DRAWING STANDARDS - AB

□ FLATNESS	⊥ PERPENDICULARITY
— STRAIGHTNESS	○ PROFILE SURFACE
○ ROUNDNESS	○ PROFILE LINE
△ CYLINDRICITY	— BASIC DIMENSION
∠ ANGULARITY	◆ POSITION
∥ PARALLELISM	⊙ CONCENTRICITY
∩ MIRROR	⊕ SYMMETRY

∅ DIAMETER
 ⊕ MIRROR MATERIAL CONDITION (MPC)
 ⊙ REGARDLESS OF FEATURE SIZE (RFS)
 ⊕ PROJECT TO TOLERANCE ZONE

METRIC			
J. Case A Case Company Racine, Wisconsin 53404		ENG'G CONTROL BU	
INTERNATIONAL OPERATION NO. 29834-071		A'S	
PART NOUN - DESCRIPTION - U.S. CAGE		PART NOUN - DESCRIPTION - INTL.	
MODEL 580-D	SCALE FULL	DRAWN BY MARRAS	DATE 10-5-80
MATERIAL MS-436	APPROVED BY	CHECKED BY	APPROVED BY
DISPLACES	EXP NO	SHT	OF
REFERENCE NO D 88417	PART NO D 88429		CODE