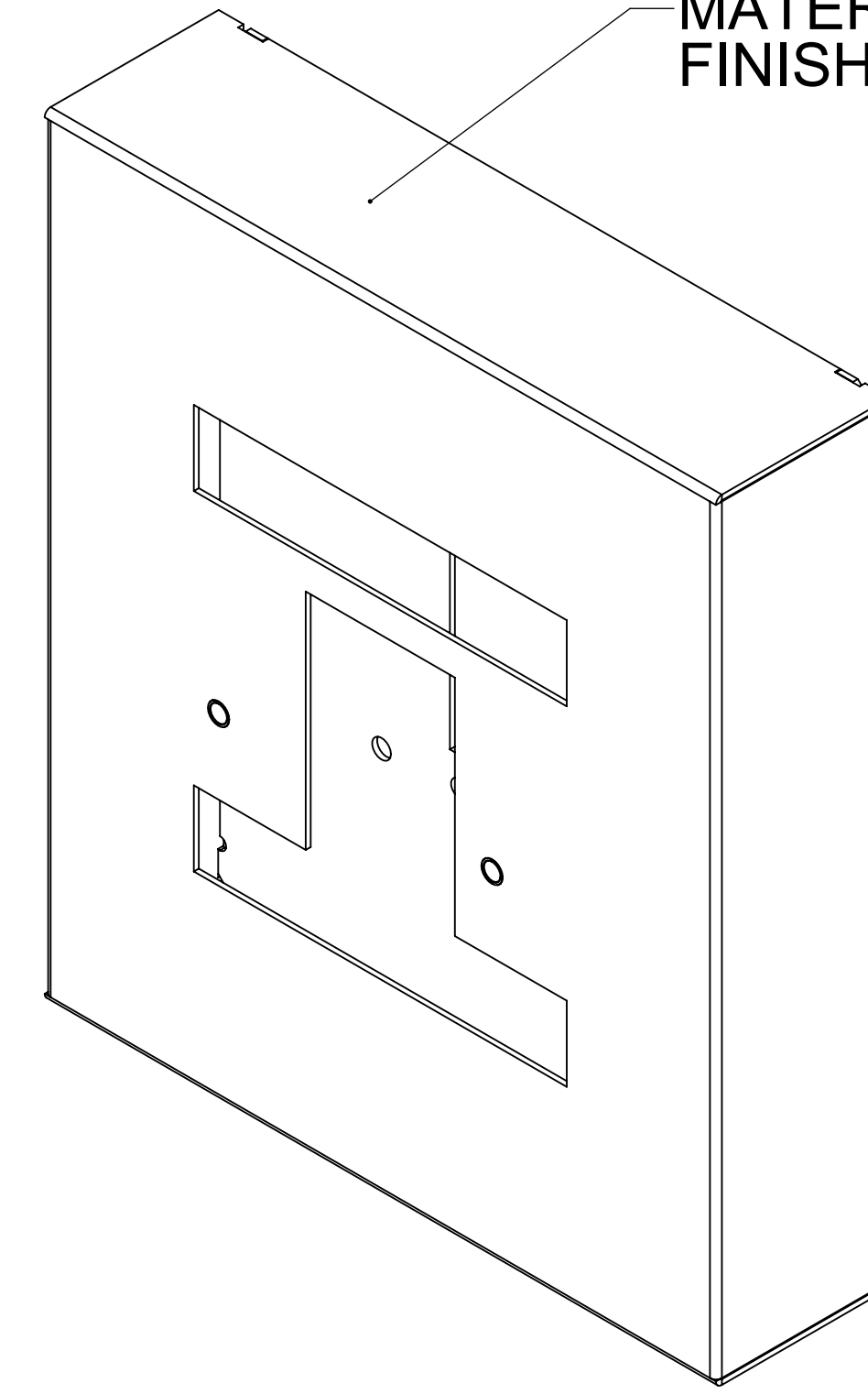
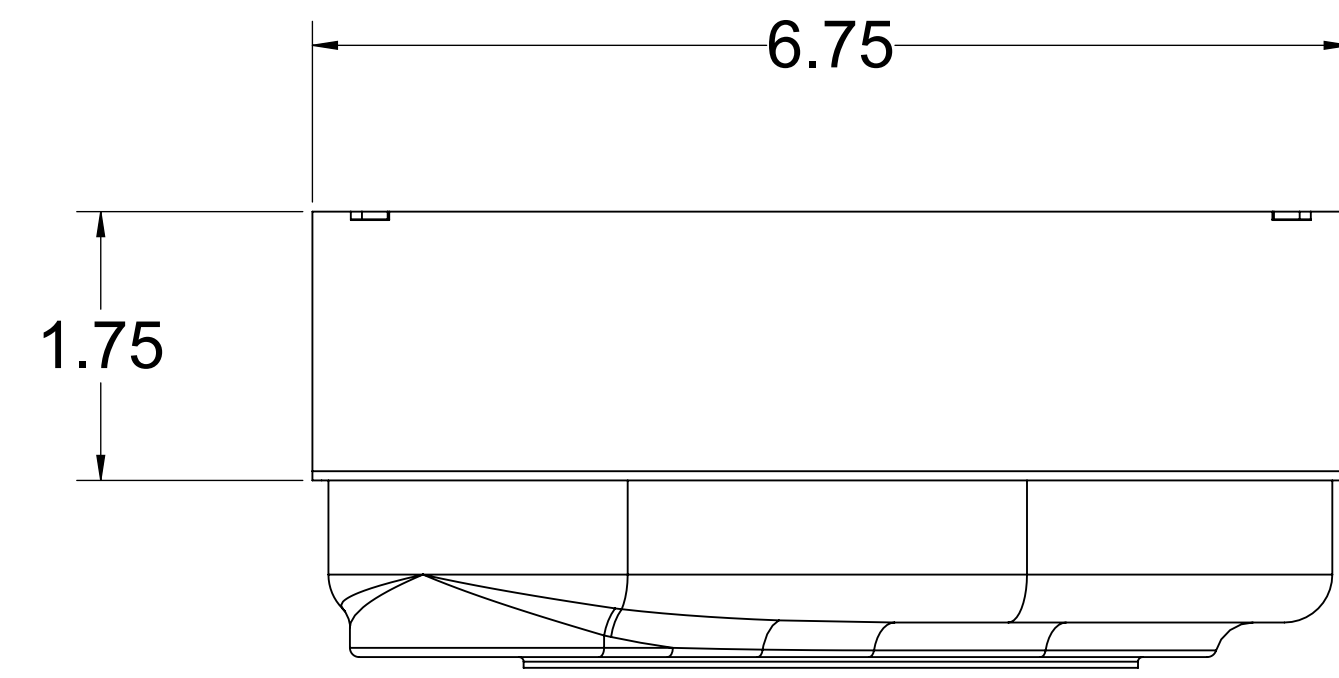
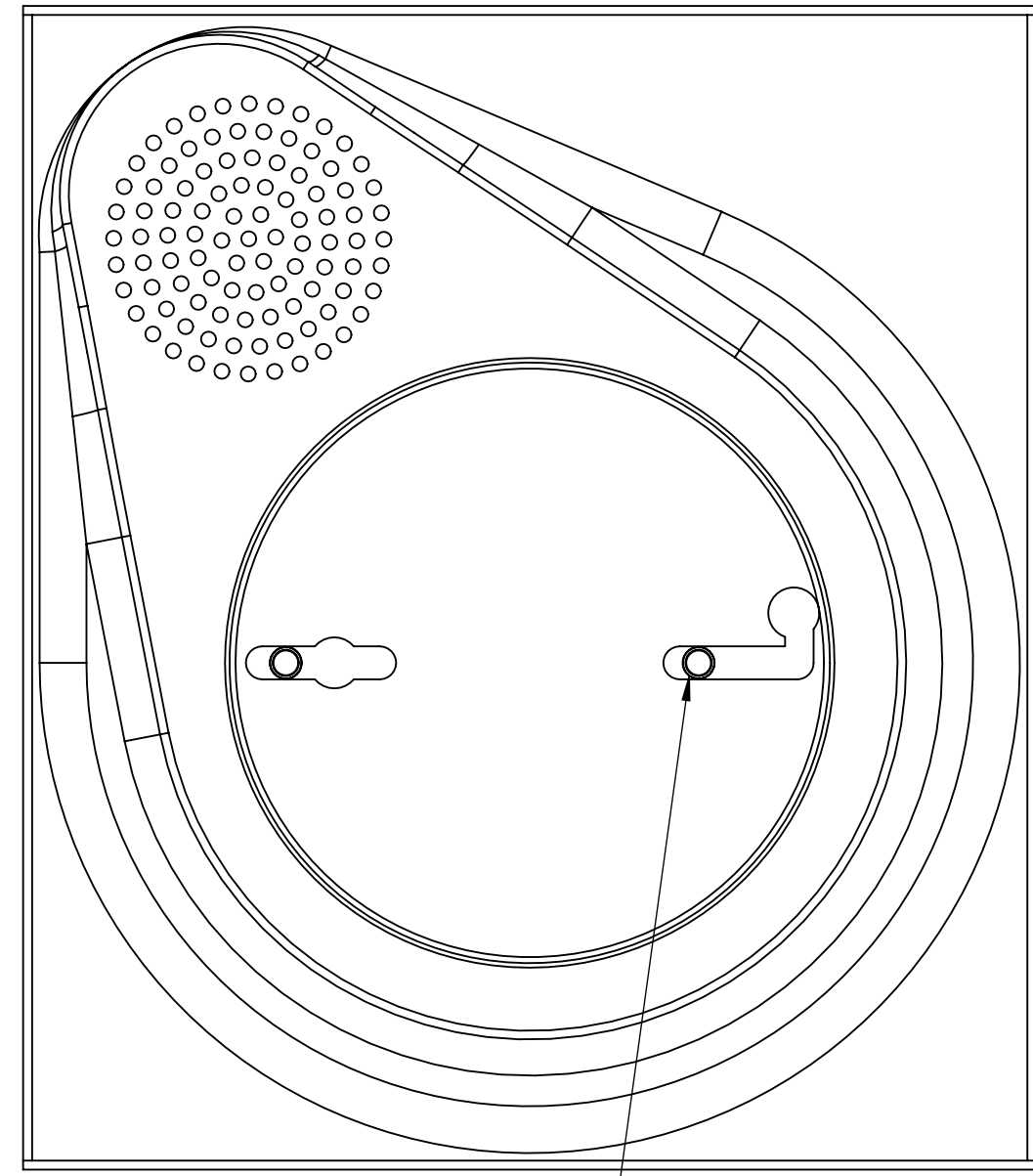
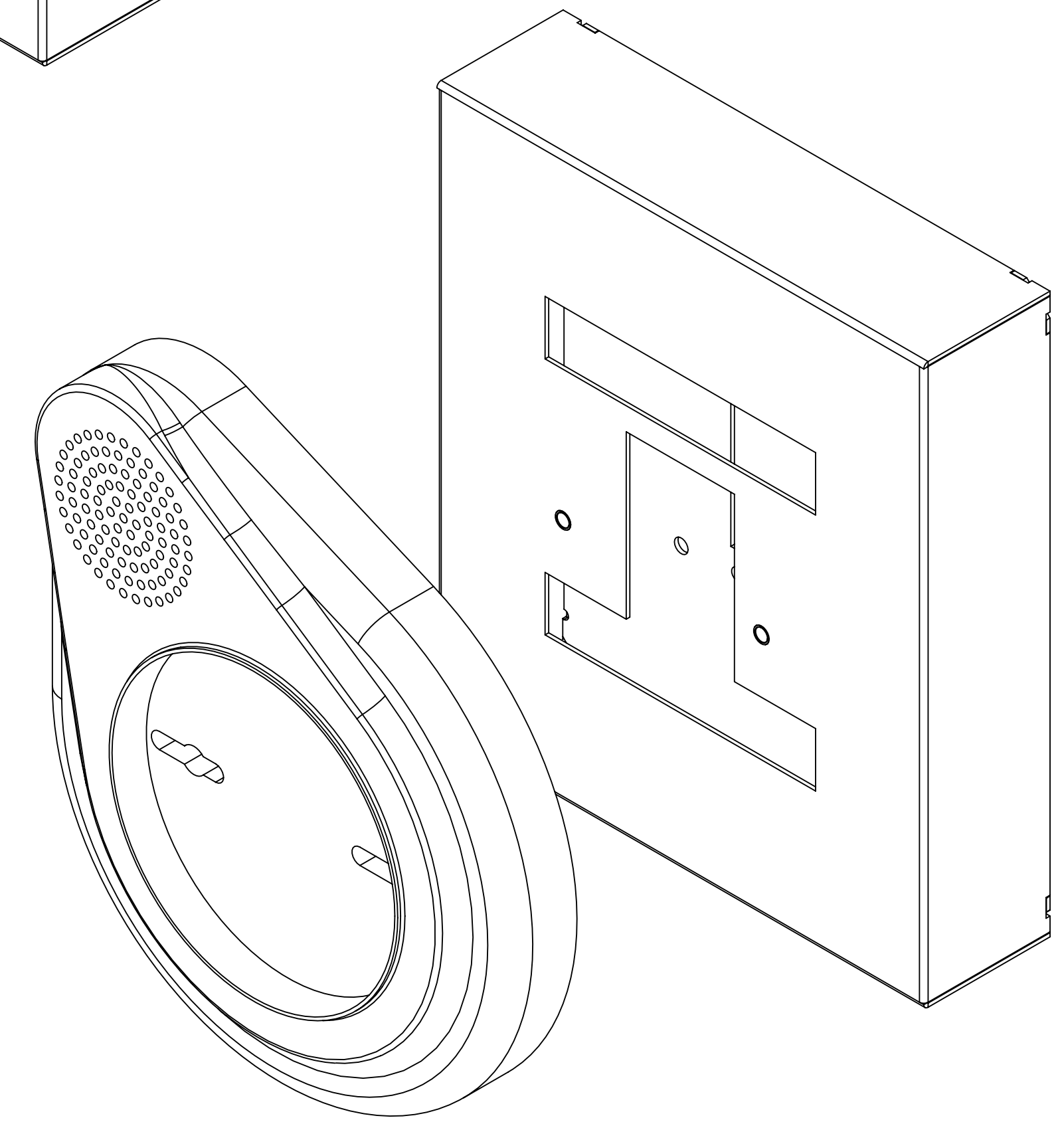
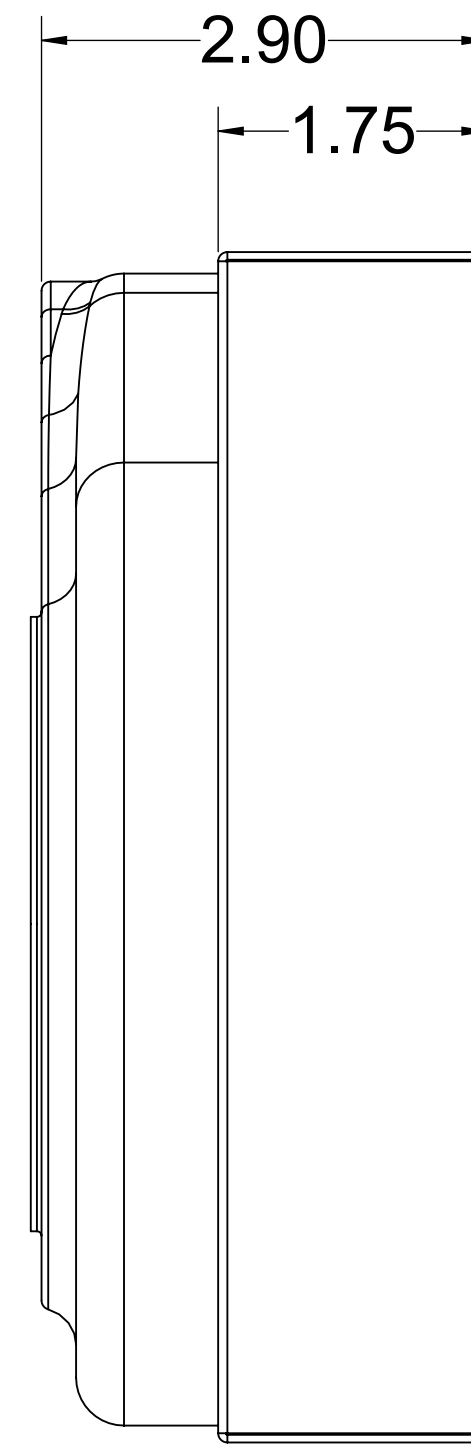
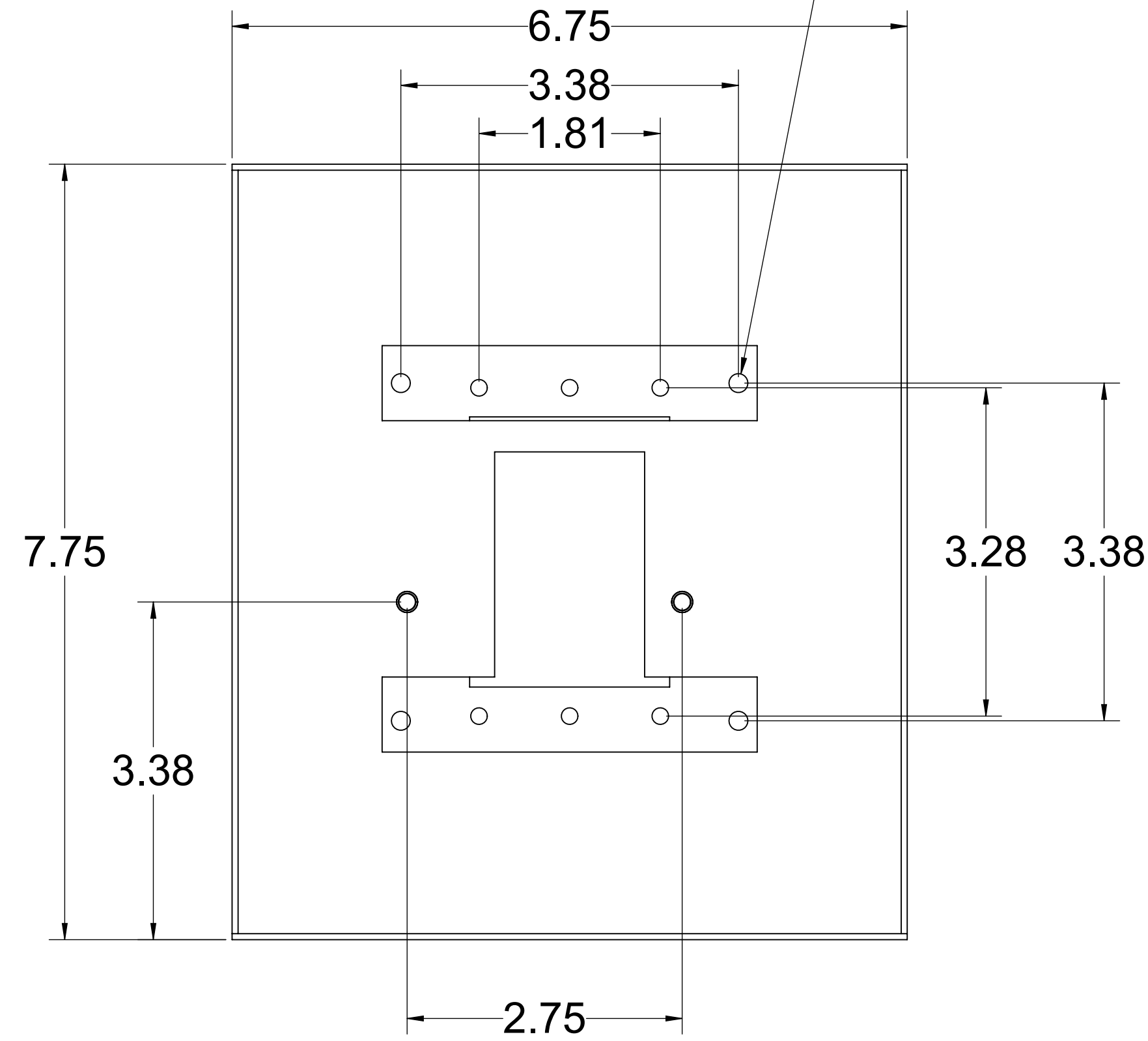


REVISIONS				
ECO #	REV	DESCRIPTION	DATE	APPROVED

MATERIAL: 18 GA CRS
FINISH: YOKE WHITE 6X EPOXY



SINGLE, DOUBLE
AND 4 SQ MOUNTING
HOLES



(2) 8-32 NUT FOR
MOUNTING DEVICE

PROPRIETARY AND CONFIDENTIAL
THE INFORMATION CONTAINED IN THIS
DRAWING IS THE SOLE PROPERTY OF
SPACE AGE ELECTRONICS INC. ANY
REPRODUCTION IN PART OR AS A WHOLE
WITHOUT THE WRITTEN PERMISSION OF
SPACE AGE ELECTRONICS INC. IS
PROHIBITED.

PROJECT:	EP04006	UNLESS OTHERWISE SPECIFIED:	DRAWN:	NAME:	DATE:
SCALE:	1:1.25	DIMENSIONS ARE IN INCHES	CHECKED:	MWP	1/23/2017
SAE/OWNER:	ENG	TOLERANCES:	ENG APPR:		
PART NO.:	YM8656	FRACTIONAL: 1/32"	MFG APPR:		
PROGRAM NO.:		ANGULAR: MACHES BEND ±0.5	Q.A.:		
NEXT ASSY:		TWO PLACE DECIMAL ±.031	COMMENTS:		
APPLICATION:		THREE PLACE DECIMAL ±.015			
		INTERPRET GEOMETRIC			
		TOLERANCING PER:			
		MATERIAL:			
		18 GA CRS			
		FINISH:			
		YOKE WHITE			

TITLE: TRUEALARM TEARDROP BACK BOX		
SIZE: D	DWG. NO. CP40591	REV 1
SCALE: 1:1.25	WEIGHT:	SHEET 1 OF 1