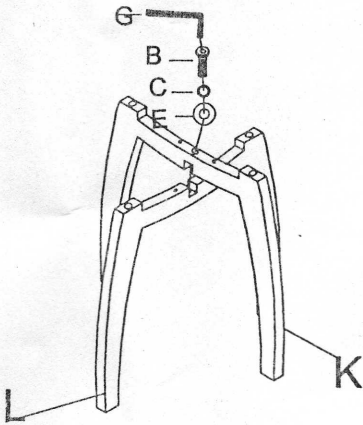


ASSEMBLY INSTRUCTIONS

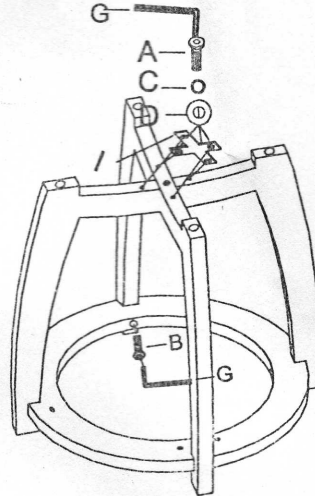
MODEL: 469-030-2 / 45537-47

NOTE: THIS ITEM NOT RECOMMENDED FOR COMMERCIAL USE
KEEP THIS DOCUMENT FOR REFERENCE IN CASE PARTS ARE NEEDED
DO NOT TIGHTEN SCREWS UNTIL COMPLETELY ASSEMBLED!!

step:1

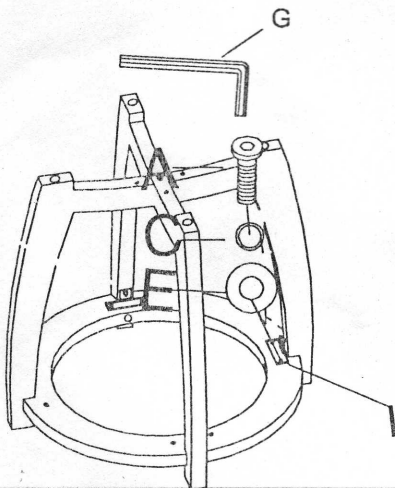


step:2

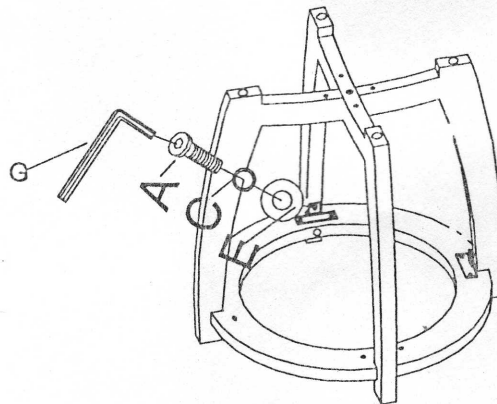


Step:1 -2 TIGHTEN SCREWS UNTIL COMPLETELY ASSEMBLED!!

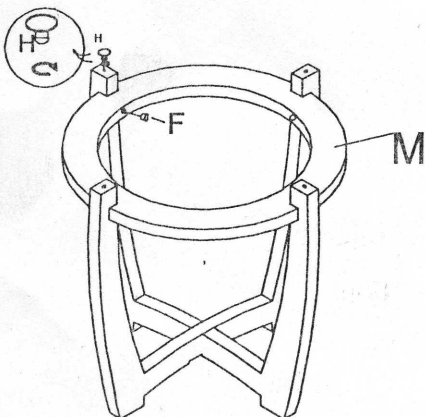
step:3



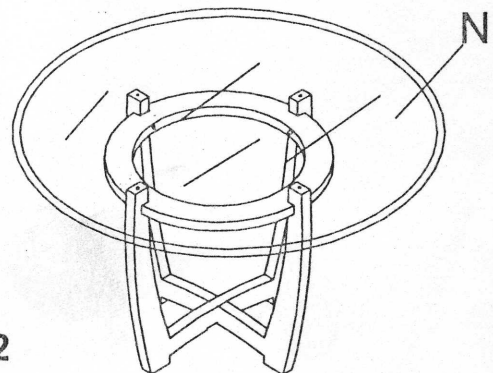
step:4



step:5



step:6



1 / of 2

