

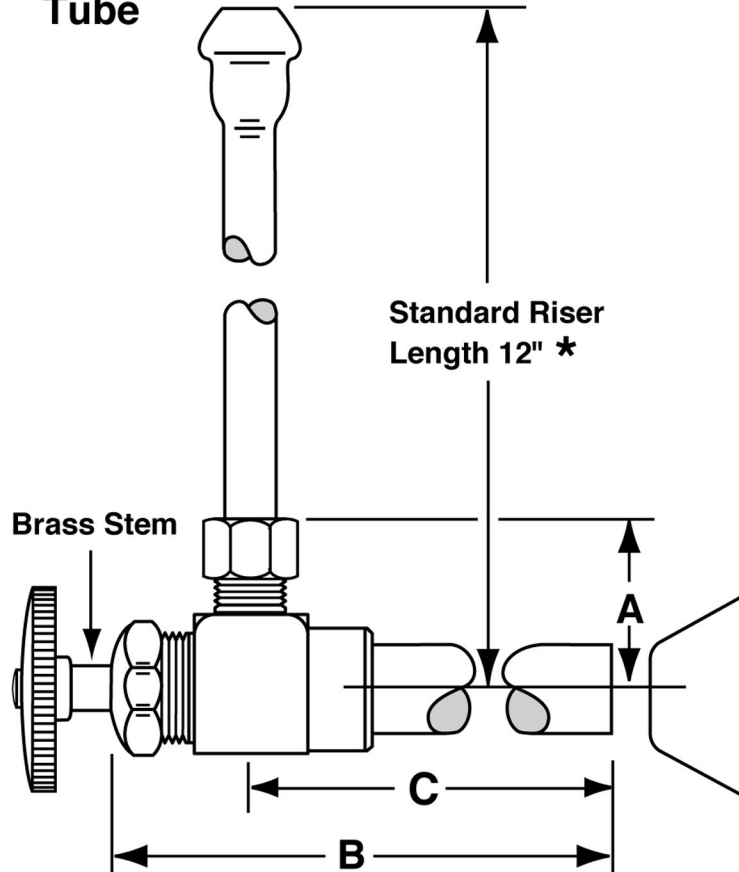


McGuire Manufacturing Co., Inc.
 60 Grandview Court
 Cheshire, Connecticut 06410
 (203) 699-1801 Fax (203) 699-1813
 customerservice@mcguiremfg.com mcguiremfg.com
PRODUCT SPECIFICATION

Part No.
LFCK170
Integral Check Supply Kit
w/5" Sweat Extension

Job Name: _____ **Submittal Number:** _____

**Wheel Handle
 w/ 5" Extension
 Tube**



NO.	DESCRIPTION	ROUGHING MEASUREMENTS		
		A	B	C
LFCK170	1/2" Sweat x 3/8" O.D.	1"	6-1/4"	5-1/2"

LK designates *Loose Key*

* See options and accessories section for details on product variations.



Specifications:

Supply kit shall include lead free chrome plated brass integral check supply stop valves with full turn brass stem, no plastic, (12, 15, 20) inch chrome plated risers and (shallow, deep, bell) (steel, brass) or (forged brass with set screw) flange. Inlet shall be 1/2 inch (IPS, sweat, compression). Outlet shall be 3/8 inch (IPS, compression). Supply kit shall be McGuire _____. Supply shall be certified by recognized authority and bear manufacturer and testing mark.



WARNING:

This product can expose you to chemicals including lead, which is known to the State of California to cause cancer, and birth defects or other reproductive harm. For more information go to www.P65Warnings.ca.gov.