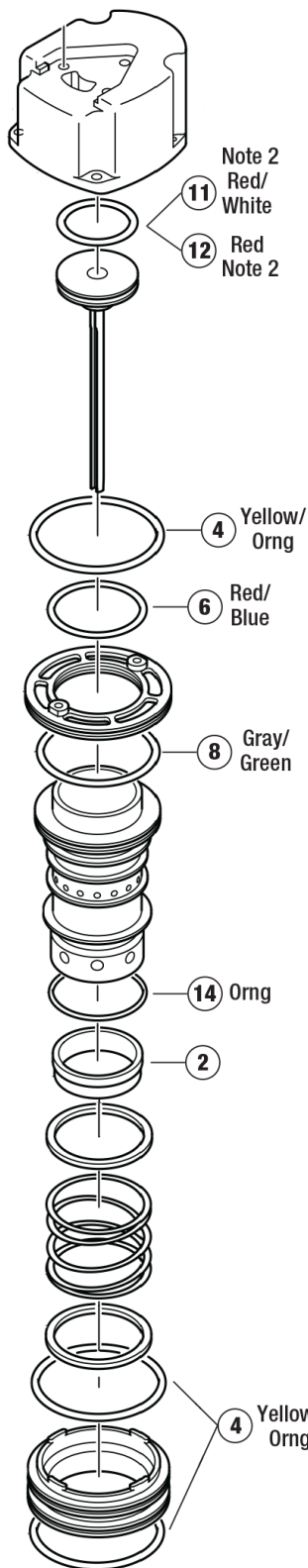


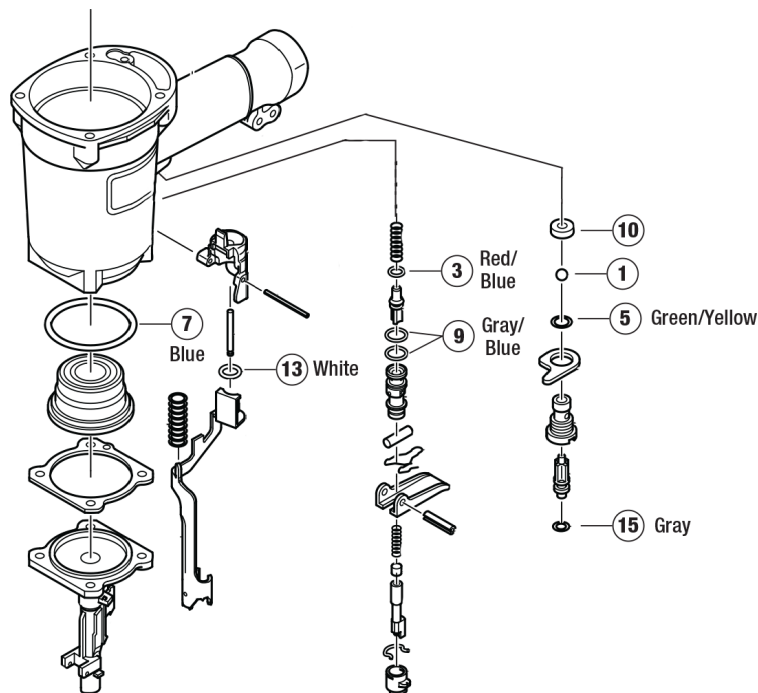
RELIABILITY™

Provin



Contents of O-Ring Kit KT-HA-283					Equivalent Hitachi® Part Number
Reliability Provin, Inc.					
Psn No.	Qty	Part #	Color Code	Notes	
1	1	RE-HI875645			875-645
2	1	RE-HI877317			877-317
3	1	OR-PP-818	RED/BLUE		874-436
4	3	OR-PP-1046	YELLOW/ORNG		877-316
5	1	OR-PP-1051	YELLOW/GREEN		875-638
6	1	OR-PP-1099	RED/BLUE		877-312
7	1	OR-PP-1314	GRAY/BLUE		877-315
8	1	OR-PP-1358	GRAY/GREEN		877-314
9	2	OR-PP-1635	GRAY/BLUE		884-112
10	1	WA-HA-734			878-734
11	1	OR-PP-1048	RED/WHITE	Note 2	877-368
12	1	OR-PP-576	RED	Note 2	877-368
13	1	OR-PP-940	WHITE		881-715
14	1	OR-PP-1047	ORANGE		878-376
15	1	OR-PP-969	GRAY		887-840

Note 2: An additional O-Ring OR-PP-576 (key #12-color code red) is supplied for use as an optional piston assembly O-Ring and is to be used in situations where the piston O-Ring groove and/or the cylinder sleeve is worn to the point that the standard O-Ring will not seal properly.



*Generously grease all O-rings at time of assembly

Note: Read and understand the safety information printed on the reverse side before repairing any tools.
 Nota: Lea y comprende la información de seguridad impresa al reverso antes de reparar cualquier herramienta.

8/20/2015

Exploded View and O-ring List for
 HITACHI NR83A3 & NR83AA4

VL-HA-283

CAUTION**CAUTION****CAUTION**

ALWAYS WEAR SAFETY GLASSES WITH SIDE SHIELDS WHEN USING PNEUMATICALLY OPERATED FASTENER DRIVING TOOLS

NEVER POINT THE TOOL AT YOURSELF OR ANYONE ELSE

NEVER BYPASS OR REMOVE ANY SAFETY DEVICE

ALWAYS FOLLOW THE ORIGINAL MANUFACTURE'S SAFETY AND SERVICE INSTRUCTION

NEVER ATTEMPT TO SERVICE OR REPAIR A PNEUMATICALLY OPERATED TOOL WITH THE COMPRESSED AIR LINE CONNECTED TO THE TOOL

NEVER LEAVE A PNEUMATICALLY OPERATED TOOL UNATTENDED WITH THE COMPRESSED AIR LINE CONNECTED

ALWAYS FOLLOW THE ORIGINAL TOOLS MANUFACTURE'S DISASSEMBLY, ASSEMBLY, AND TOOL INSPECTION PROCEDURES

PRECAUTION**PRECAUTION****PRECAUTION**

SIEMPRE USE LENTES DE SEGURIDAD CON PROTECTORES LATERALES AL USAR HERRAMIENTAS DE IMPULSO CON SUJETADOR DE OPERACIÓN NEUMÁTICA

NUNCA APUNTE A SI MISMO O A OTRA PERSONA CON LA HERRAMIENTA

NUNCA EVITE O RETIRE ALGÚN DISPOSITIVO DE SEGURIDAD

SIEMPRE SIGA LAS INSTRUCCIONES DE SEGURIDAD Y SERVICIO DEL FABRICANTE ORIGINAL DE LA HERRAMIENTA

NUNCA INTENTE HACER MANTENIMIENTO O REPARAR UNA HERRAMIENTA DE OPERACIÓN NEUMÁTICA CON LA LINEA DE AIRE COMPRIMIDO CONECTADA A LA HERRAMIENTA

NUNCA DEJE SIN ATENCIÓN UNA HERRAMIENTA DE OPERACIÓN NEUMÁTICA CON LA LINEA DE AIRE COMPRIMIDO CONECTADA

SIEMPRE SIGA LOS PROCEDIMIENTOS DE DESMONTAJE, MONTAJE, E INSPECCIÓN DEL FABRICANTE ORIGINAL DE LA HERRAMIENTA

O-Ring Kit

KT-HA-283

For use on the following tool models.
Kit contains all O-Rings in these tools.

HITACHI

NR83A3
NR83AA4



7 1 2 2 1 8 0 0 3 0 5 5