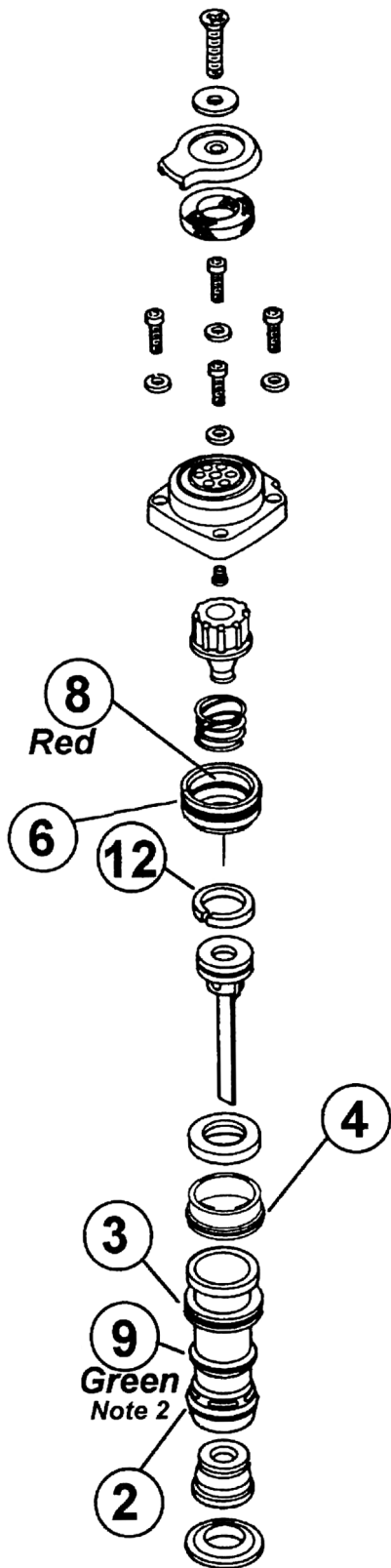


RELIABILITY™

Provin

Contents of O-Ring Kit KT-BO-320

Key Number	Quantity	Performance Provin, Inc.		Equivalent Bostitch® Part Number
		Part Number	Color Code	
1	1	OR-PP-156		86459
2	1	OR-PP-178		100353
3	1	OR-PP-374	Yellow	100817
4	1	OR-PP-384		RG161210
5	1	OR-PP-929	Blue / Yellow	MRG008819
6	1	OR-PP-993		MRG035020
7	1	OR-PP-1020	Blue	851554
8	1	OR-PP-1026	Red	MRG026020
9	1	OR-PP-1033	Green	T 32080
10	2	OR-PP-6293	Purple / Green	MRG002514
11	1	OR-PP-1106	Green / Yellow	MRG005819
12	1	PR-PP-620		S32109
13	1	OR-PP-152		85014

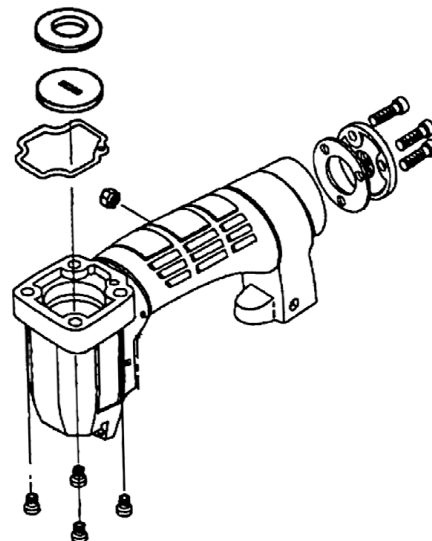


Note 2: O-Ring OR-PP-1033 (color code green) is to be used as a replacement for the half round cross section cylinder check valve.

Note 3: O-Ring OR-PP-152 is only used on the TVA5 valve.

Note 4: O-Rings OR-PP-929 and OR-PP-1106 are only used on the TVA1 valve.

Scale of some parts & components are distorted to enhance readability.



*Generously grease all O-rings at time of assembly

Note: Read and understand the safety information printed on the reverse side before repairing any tools.
 Nota: Lea y comprende la información de seguridad impresa al reverso antes de reparar cualquier herramienta.

6/8/2005

Exploded View and O-ring List for BOSTITCH BT35, BT35B, BT35B-1, BT35B-2, BT35B-3, BT50, BT50B-1, BT50B-2, BT50B-3, S3297, S3297-LHF, S3297-LHF-2, S32SL, S32SX, S32SX-1, S32SX-2, S32SX-3 & S32SX-BHF-2

VL-BO-36

CAUTION**CAUTION****CAUTION**

ALWAYS WEAR SAFETY GLASSES WITH SIDE SHIELDS WHEN USING PNEUMATICALLY OPERATED FASTENER DRIVING TOOLS

NEVER POINT THE TOOL AT YOURSELF OR ANYONE ELSE

NEVER BYPASS OR REMOVE ANY SAFETY DEVICE

ALWAYS FOLLOW THE ORIGINAL MANUFACTURE'S SAFETY AND SERVICE INSTRUCTION

NEVER ATTEMPT TO SERVICE OR REPAIR A PNEUMATICALLY OPERATED TOOL WITH THE COMPRESSES AIR LINE CONNECTED TO THE TOOL

NEVER LEAVE A PNEUMATICALLY OPERATED TOOL UNATTENDED WITH THE COMPRESSES AIR LINE CONNECTED

ALWAYS FOLLOW THE ORIGINAL TOOLS MANUFACTURE'S DISASSEMBLY, ASSEMBLY, AND TOOL INSPECTION PROCEDURES

PRECAUTION**PRECAUTION****PRECAUTION**

SIEMPRE USE LENTES DE SEGURIDAD CON PROTECTORES LATERALES AL USAR HERRAMIENTAS DE IMPULSO CON SUJETADOR DE OPERACIÓN NEUMÁTICA

NUNCA APUNTE A SI MISMO O A OTRA PERSONA CON LA HERRAMIENTA

NUNCA EVITE O RETIRE ALGÚN DISPOSITIVO DE SEGURIDAD

SIEMPRE SIGA LAS INSTRUCCIONES DE SEGURIDAD Y SERVICIO DEL FABRICANTE ORIGINAL DE LA HERRAMIENTA

NUNCA INTENTE HACER MANTENIMIENTO O REPARAR UNA HERRAMIENTA DE OPERACIÓN NEUMÁTICA CON LA LINEA DE AIRE COMPRIMIDO CONECTADA A LA HERRAMIENTA

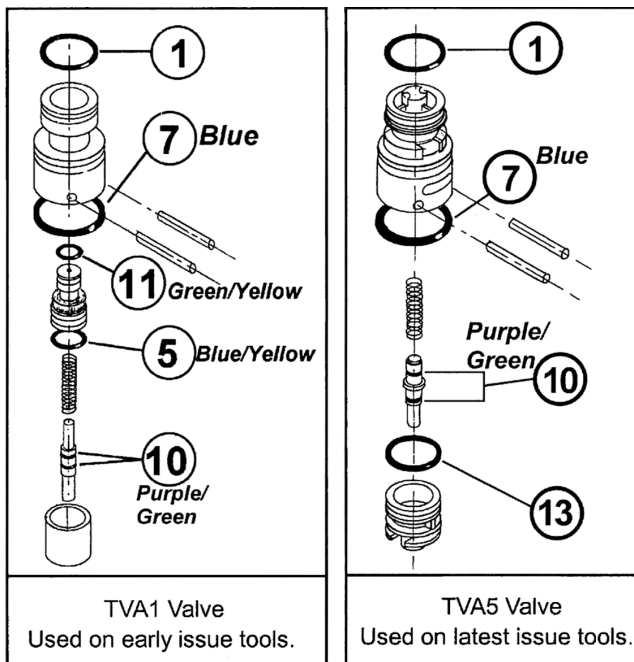
NUNCA DEJE SIN ATENCIÓN UNA HERRAMIENTA DE OPERACIÓN NEUMÁTICA CON LA LINEA DE AIRE COMPRIMIDO CONECTADA

SIEMPRE SIGA LOS PROCEDIMIENTOS DE DESMONTAJE, MONTAJE, E INSPECCIÓN DEL FABRICANTE ORIGINAL DE LA HERRAMIENTA

O-Ring Kit

KT-BO-320

For use on the following tool models.
Kit contains all O-Rings in these tools.



BOSTITCH

BT35
BT35B
BT35B-1
BT35B-2
BT35B-3
BT50
BT50B-1
BT50B-2
BT50B-3
S3297
S3297-LHF
S3297-LHF-2
S32SL
S32SX
S32SX-1
S32SX-2
S32SX-3
S32SX-BHF-2

