

## 20S SERIES - 2 HP

### APPLICATIONS

Sewage and effluent wastewater transfer, dewatering

### FEATURES

- Permanent Split Capacitor (PSC)
- Designed for continuous duty
- Capacitor and power cord connections are isolated from oil-filled motor housing for ease of field maintenance
- 2" & 3" FNPT discharge
- Handles solids up to 2" (51 mm) diameter
- 140 °F (60 °C) liquid temperature rating
- cCSAus listed



### SERIES SPECIFICATIONS

Volts	Hz	Amps		Watts	Performance (GPM @ Height in Feet)				Shut-Off (ft)	PSI
		FLA	Start		10'	20'	30'	40'		
208-230	60	18	31.0	4118	205	168	140	120	77	33.3
200-208*	60	14.5	32.0	2769	205	168	140	120	77	33.3
→ 230*	60	12.6	35.0	2686	205	168	140	120	77	33.3
460*	60	6.1	17.5	2771	205	168	140	120	77	33.3

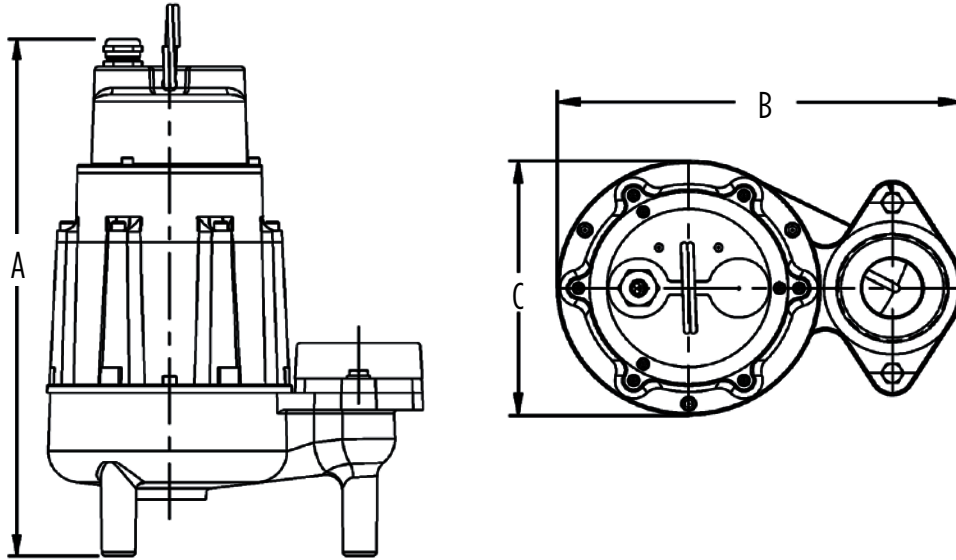
\*3-phase

Item No.	Model	HP	Volts	Phase	Operation	Cord	Weight
520100	20S-CIM	2	208-230	1	Manual	20'	96 lbs
520125	20S-CIM	2	200-208	3	Manual	20'	96 lbs
→ 520150	20S-CIM	2	230	3	Manual	20'	96 lbs
520175	20S-CIM	2	460	3	Manual	20'	96 lbs

# SEWAGE PUMPS

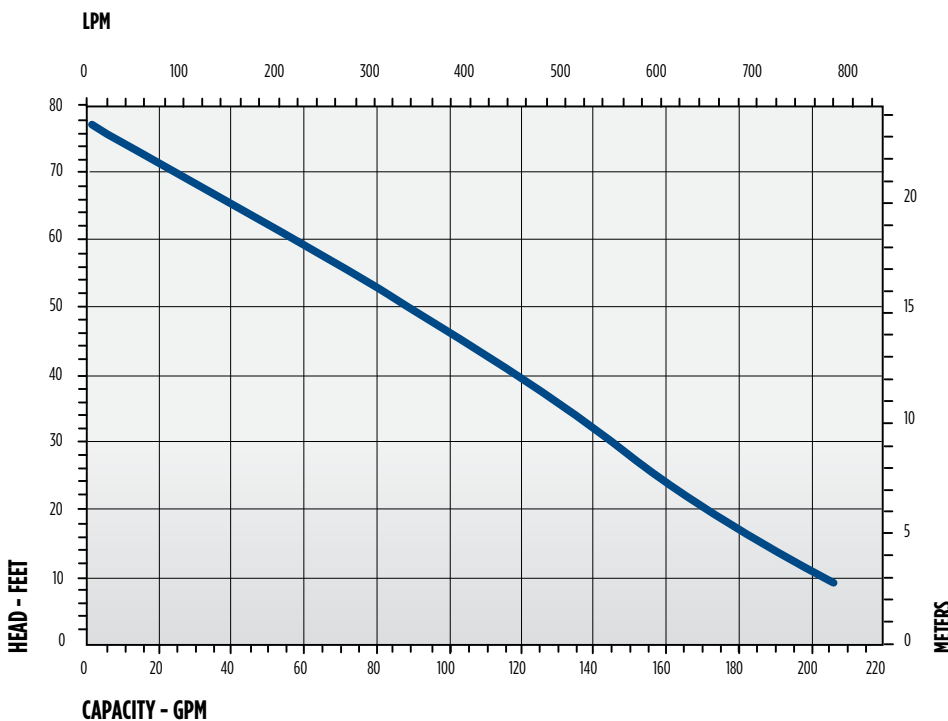
## 20S SERIES - 2 HP

### ENGINEERING DATA



A	B	C
18.4"	13"	8.4"

### PERFORMANCE DATA



### CONSTRUCTION

<b>Cover</b>	Epoxy-coated cast iron
<b>Motor Housing</b>	Epoxy-coated cast iron
<b>Impeller Material</b>	Red brass
<b>Impeller Type</b>	Vortex
<b>Volute</b>	Epoxy-coated cast iron
<b>Mechanical Shaft Seal</b>	Carbon/ceramic
<b>Fasteners</b>	Stainless steel
<b>Shaft</b>	Stainless steel
<b>Bearings</b>	Upper and lower ball bearings
<b>Power Cord (Stripped Leads)</b>	14/3, SOW (1-phase); 14/4, SOW (3-phase)