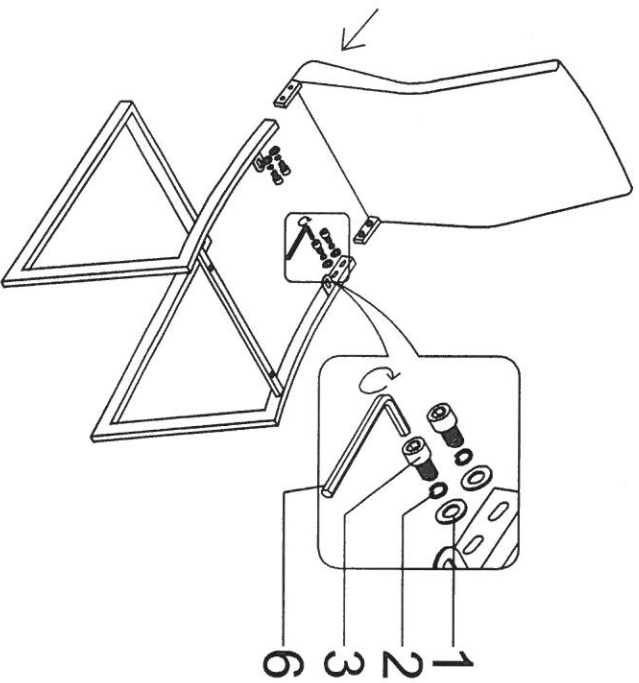


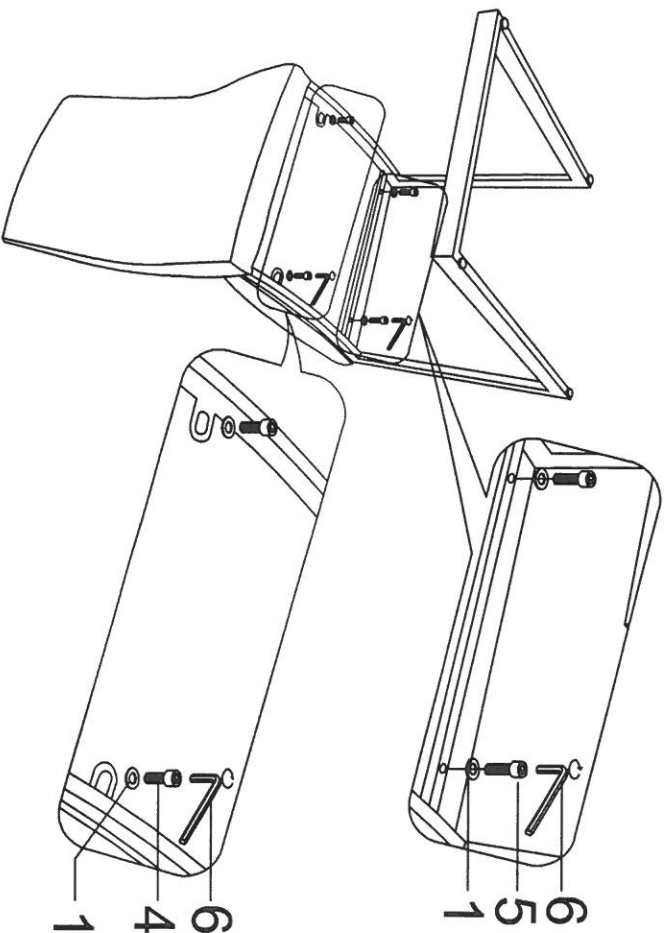
ASSEMBLY INSTRUCTION

ITEM NAME:MAGNA MODEL NUMBER:G5445-01 CHAIR

STEP 1



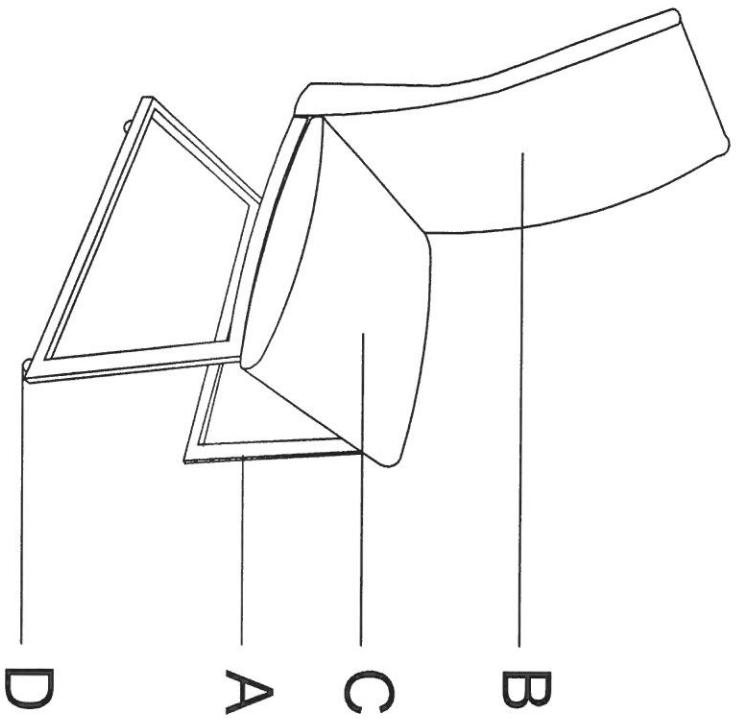
STEP 2



Note: Please do not tighten all bolts until the item is fully assembled. Once assembled tighten all bolts.

Not for commercial use.

1		8PCS	ø8*16
2		4PCS	ø8
3		4PCS	M8*13
4		2PCS	M8*20
5		2PCS	M8*25
6		1PC	6mm



Part Description	Quantity
A CHAIR FRAME	1
B CHAIR BACKREST	1
C SEAT CUSHION	1
D GLIDE(ϕ 15*15)	4