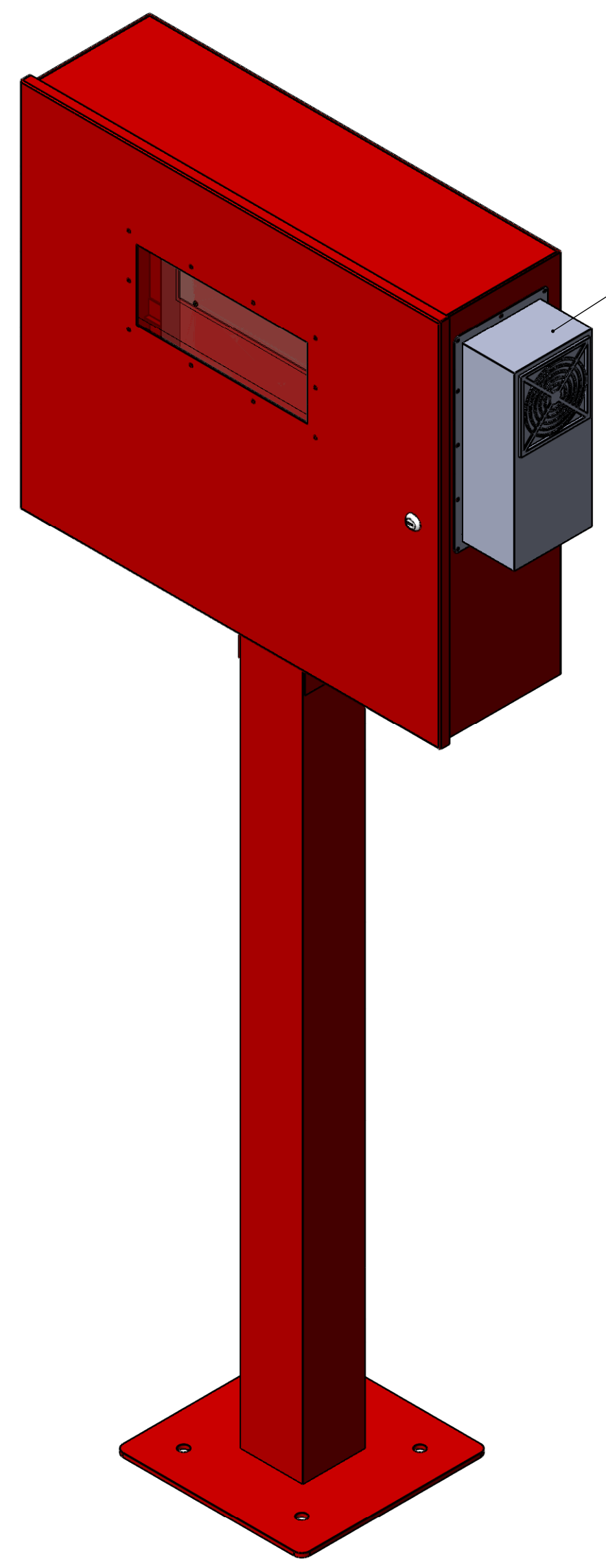
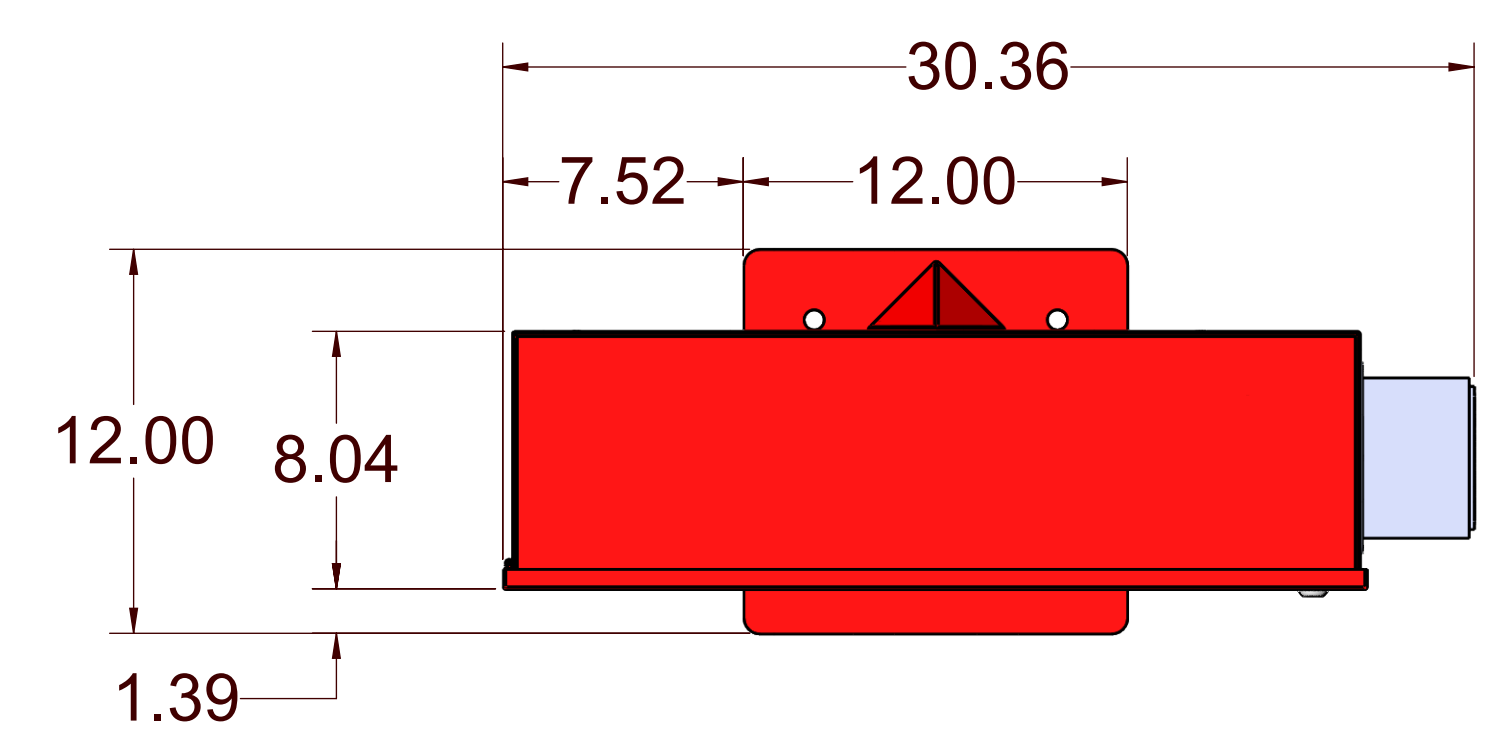
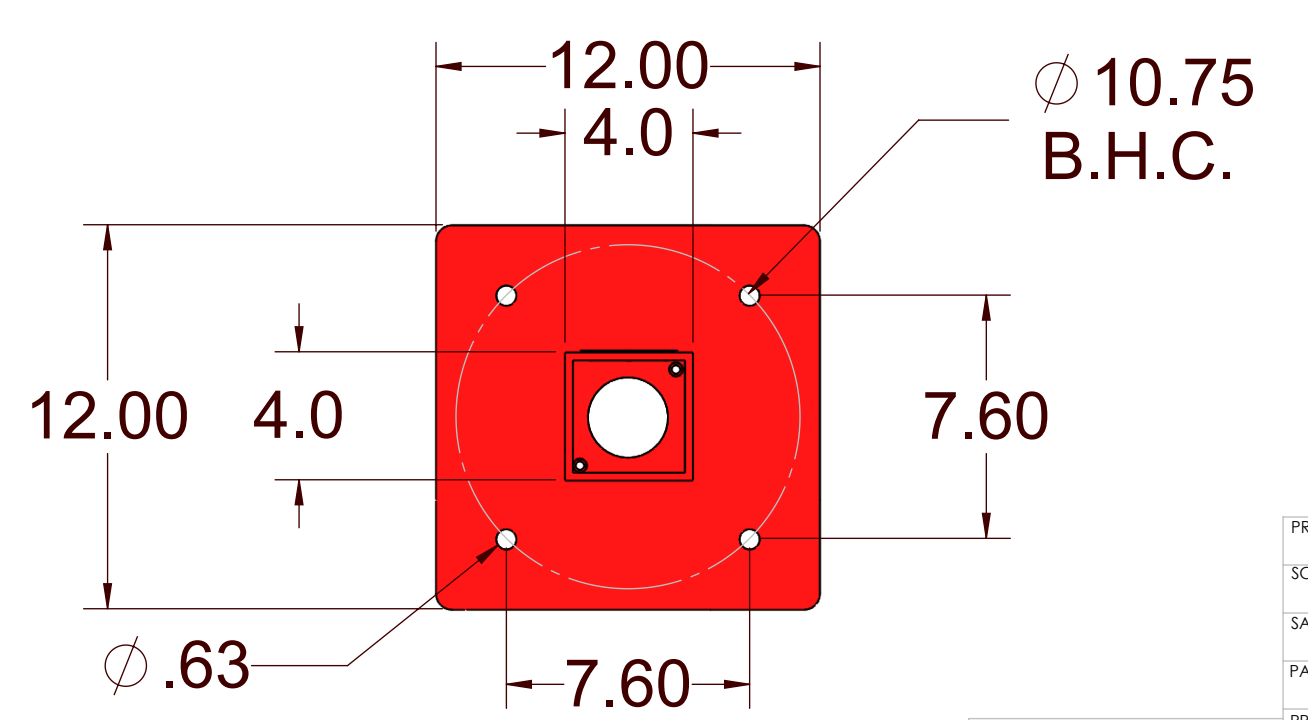
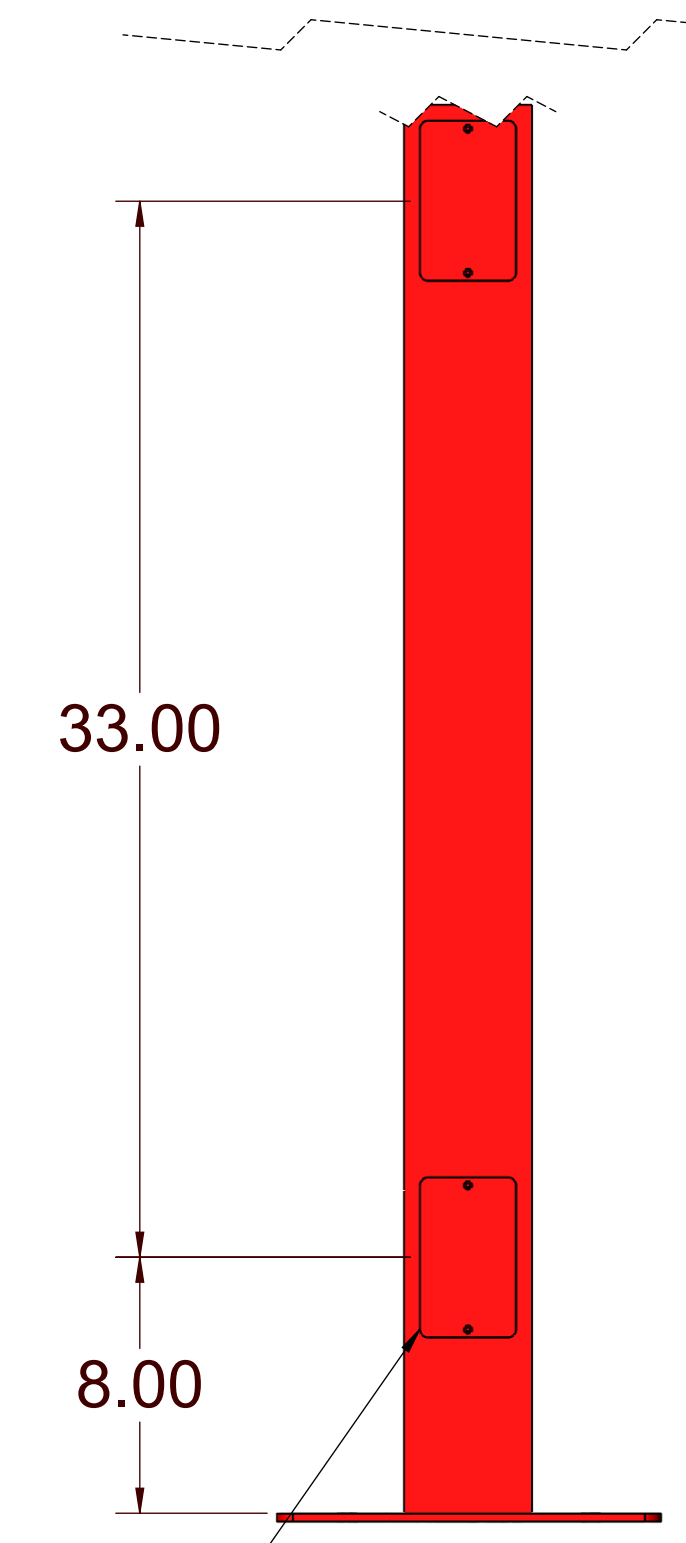
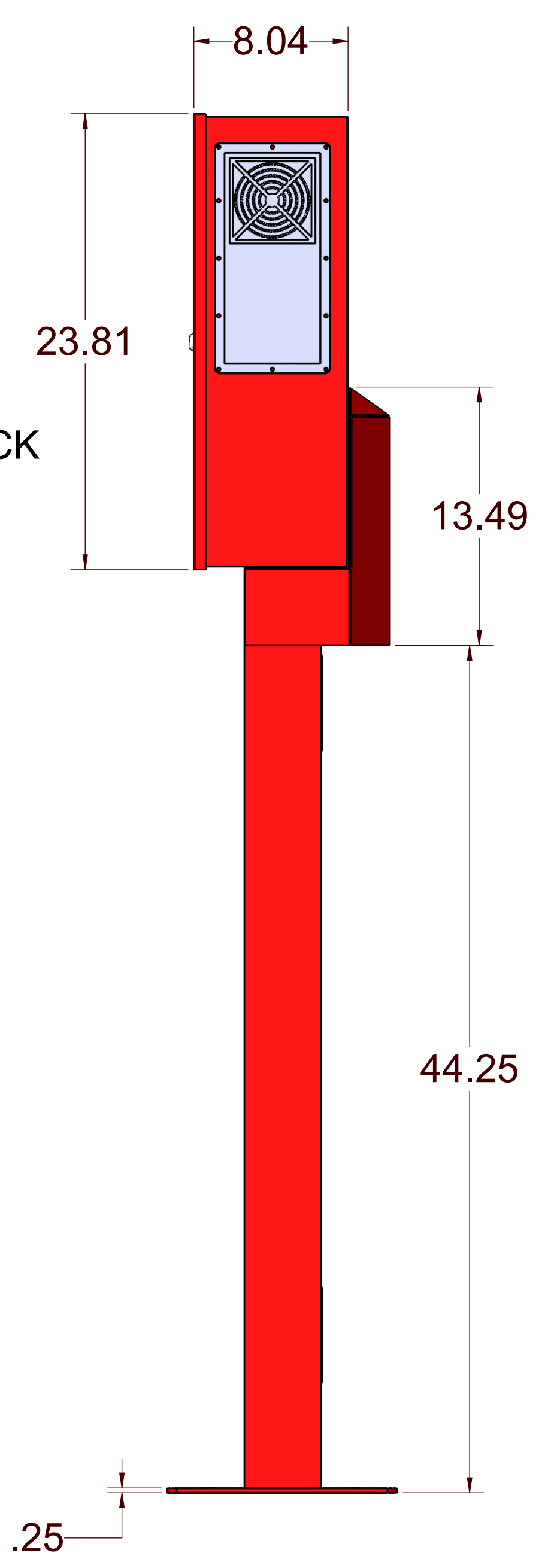
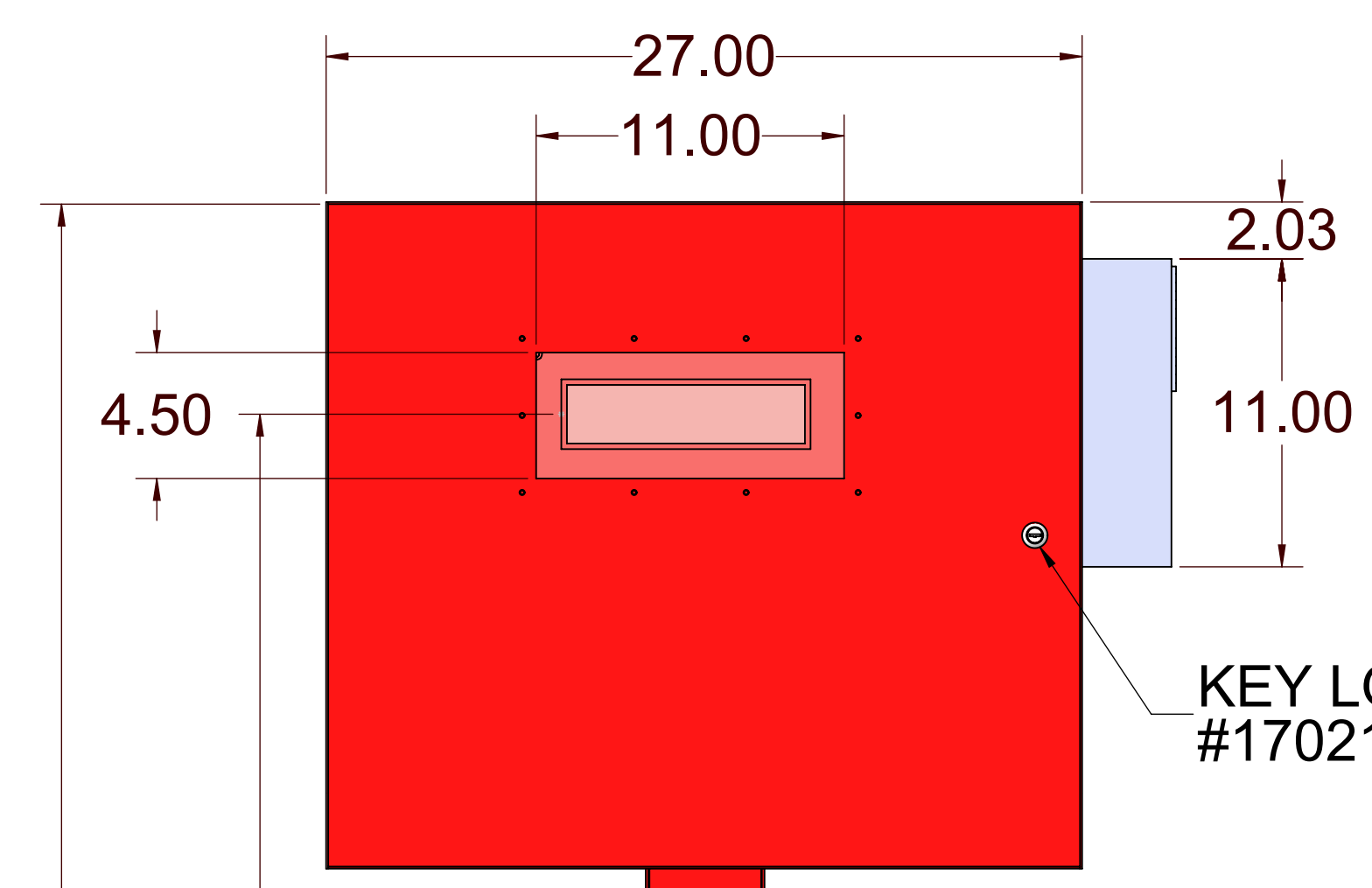
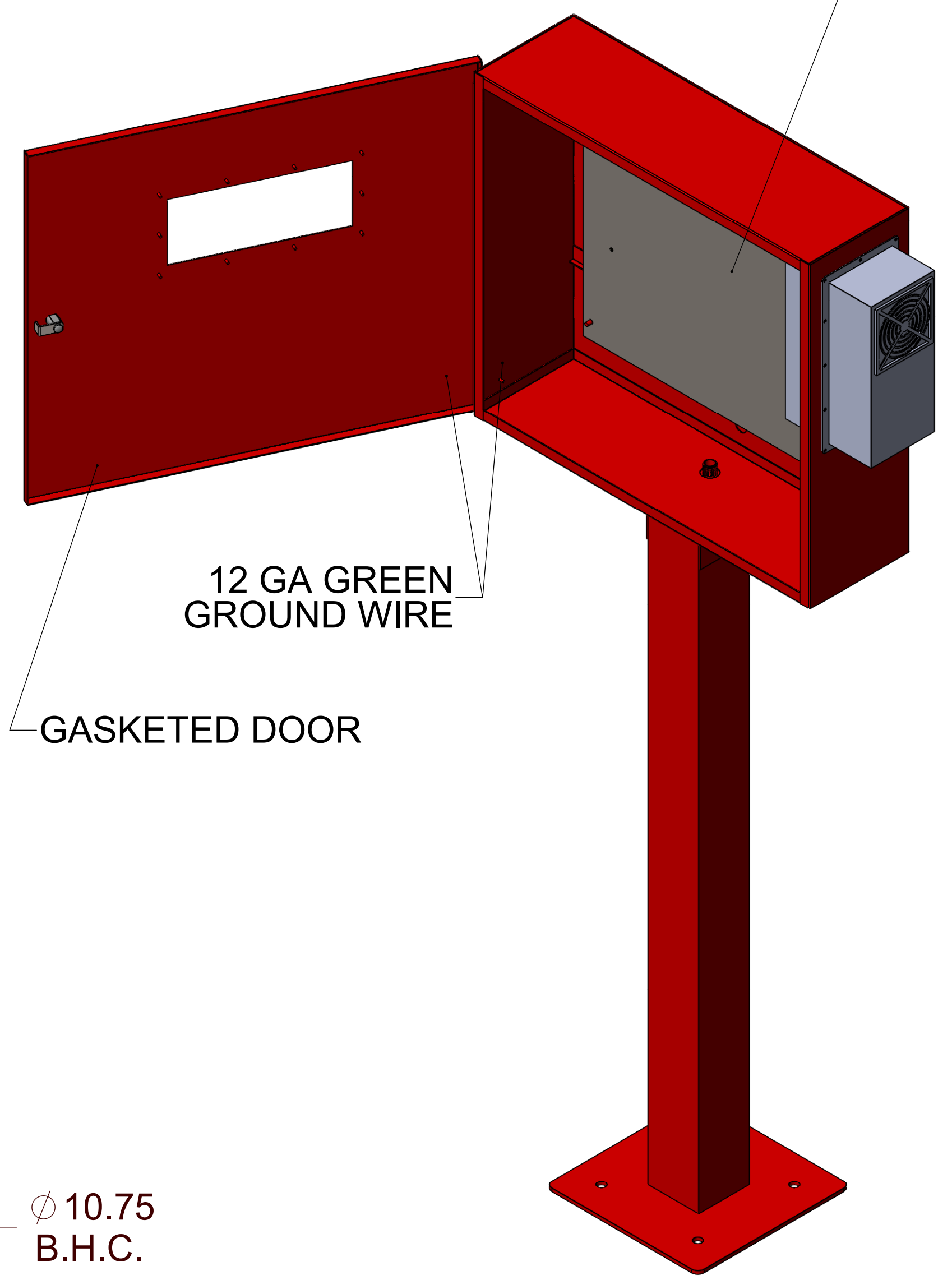


REVISIONS				
ECO #	REV	DESCRIPTION	DATE	APPROVED



21"X20" SUB PLATE
MATERIAL: 14 GA CRS
COLOR: WHITE POWDER COST



PROPRIETARY AND CONFIDENTIAL
THE INFORMATION CONTAINED IN THIS DRAWING IS THE SOLE PROPERTY OF SPACE AGE ELECTRONICS INC. ANY REPRODUCTION IN PART OR AS A WHOLE WITHOUT THE WRITTEN PERMISSION OF SPACE AGE ELECTRONICS INC. IS PROHIBITED.

PROJECT:	EP04156	UNLESS OTHERWISE SPECIFIED:	NAME	DATE	
SCALE:	1:6	DIMENSIONS ARE IN INCHES	DRAWN	MWP	
SAE/OWNER:	ENG	TOLERANCES:	CHECKED		TITLE:
PART NO.:	YM0782	FRACTIONAL: 1/32"	ENG APPR:		FA DOME PEDESTAL ENCL NOT320
PROGRAM NO.:		ANGULAR: MAX: ±0.5 BEND ±0.5	MFG APPR:		YM0782
NEXT ASSY:		TWO PLACE DECIMAL ±.031	Q.A.		SIZE DWG. NO.
APPLICATION:		THREE PLACE DECIMAL ±.015	COMMENTS:		CP40700
		INTERPRET GEOMETRIC TOLERANCING PER:			REV
		MATERIAL:			2
		CRS			SCALE: 1:6
		FINISH:			WEIGHT:
					SHEET 1 OF 1