

# LOW BAY RETROFITS HIGH PERFORMANCE



## pinpoint light distribution



- 45W and 75W models replacing up to 250W HID
- 120° light distribution with angled LED panels deliver light where it is needed most
- Includes a fan and thermal sensor to run cool and ensure a long and bright life
- Rated for enclosed fixtures and damp locations with an insect and dust resistant housing
- USA designed and specified driver
- Available in 3000, 4000 and 5000K\*

designed from the base up with DLC qualifications in mind



PART #	UPC	REPLACES	WATTAGE	LUMENS	CCT (K)*	BASE	DLC PRODUCT CODE
LED-8056M50-A	844006082888	Up to 175W	45W	5560	5000K	EX39	PY2VZEB6
LED-8057M50-A	844006082901	Up to 250W	75W	10875	5000K	EX39	PPQY9L0Q

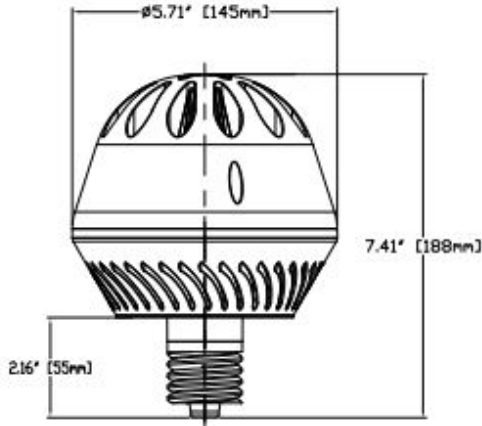
\* See page 2 for additional color temperatures.  
 \*\* See page 2 for 347 volt options for Canada.



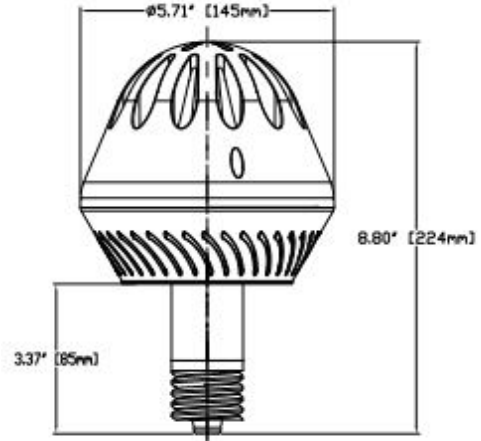
# LOW BAY RETROFITS HIGH PERFORMANCE



LED-8056M50-A



LED-8057M50-A



PART #	UPC	REPLACES	WATTAGE	LUMENS	CCT (K)*	BASE	DLC PRODUCT CODE
LED-8056M30-A	844006083144	Up to 175W HID	45W	5525	3000K	EX39	PL4Y650Q
LED-8056M40-A	844006082871	Up to 175W HID	45W	5334	4000K	EX39	P785KZYS
LED-8056M50-A	844006082888	Up to 175W HID	45W	5560	5000K	EX39	PY2VZEB6
LED-8057M30-A	844006083168	Up to 250W HID	75W	9750	3000K	EX39	PVGFSVPG
LED-8057M40-A	844006082895	Up to 250W HID	75W	10500	4000K	EX39	P41LABR0
LED-8057M50-A	844006082901	Up to 250W HID	75W	10875	5000K	EX39	PPQY9LOQ
CANADA 347V							
LED-8056M30C-A	844006083151	Up to 175W HID	45W	5194	3000K	EX39	PI1A2WSF
LED-8056M40C-A	844006082918	Up to 175W HID	45W	5504	4000K	EX39	PZZDKQ2R
LED-8056M50C-A	844006082925	Up to 175W HID	45W	5623	5000K	EX39	PTI05XLW
LED-8057M30C-A	844006083175	Up to 250W HID	75W	9750	3000K	EX39	P1B3V5FH
LED-8057M40C-A	844006082932	Up to 250W HID	75W	10500	4000K	EX39	P3I2SR2G
LED-8057M50C-A	844006082949	Up to 250W HID	75W	10875	5000K	EX39	PMSZPZGP



FOR PRODUCT INFO ("LED" MODEL #) CONTACT.....Light Efficient Design • 188 S. Northwest Highway • Cary, IL 60013 • 847.380.3540 • led-llc.com  
 FOR PRODUCT INFO ("RP" MODEL #) CONTACT.....RemPhos by Light Efficient Design • 30 Log Bridge Road, Building 200 • Middleton, MA 01949 • 877.997.3674 • remphos.com

03.18.19 Information is subject to change without notice.