

20S SERIES - 2 HP

APPLICATIONS

Sewage and effluent wastewater transfer, dewatering

FEATURES

- Permanent Split Capacitor (PSC)
- Designed for continuous duty
- Capacitor and power cord connections are isolated from oil-filled motor housing for ease of field maintenance
- 2" & 3" FNPT discharge
- Handles solids up to 2" (51 mm) diameter
- 140 °F (60 °C) liquid temperature rating
- cCSAus listed



SERIES SPECIFICATIONS

Volts	Hz	Amps		Watts	Performance (GPM @ Height in Feet)				Shut-Off (ft)	PSI
		FLA	Start		10'	20'	30'	40'		
208-230	60	18	31.0	4118	205	168	140	120	77	33.3
200-208*	60	14.5	32.0	2769	205	168	140	120	77	33.3
230*	60	12.6	35.0	2686	205	168	140	120	77	33.3
460*	60	6.1	17.5	2771	205	168	140	120	77	33.3

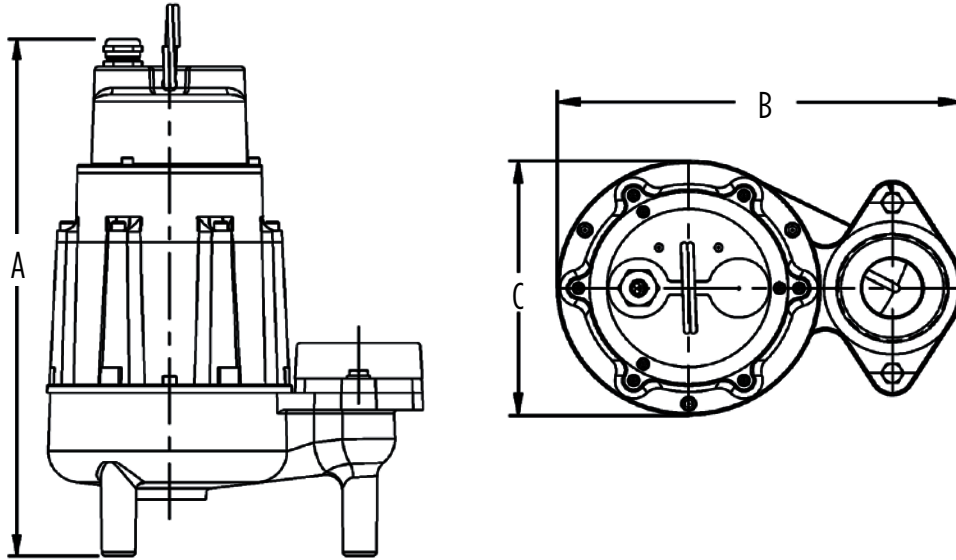
* 3-phase

Item No.	Model	HP	Volts	Phase	Operation	Cord	Weight
520100	20S-CIM	2	208-230	1	Manual	20'	96 lbs
520125	20S-CIM	2	200-208	3	Manual	20'	96 lbs
520150	20S-CIM	2	230	3	Manual	20'	96 lbs
520175	20S-CIM	2	460	3	Manual	20'	96 lbs

SEWAGE PUMPS

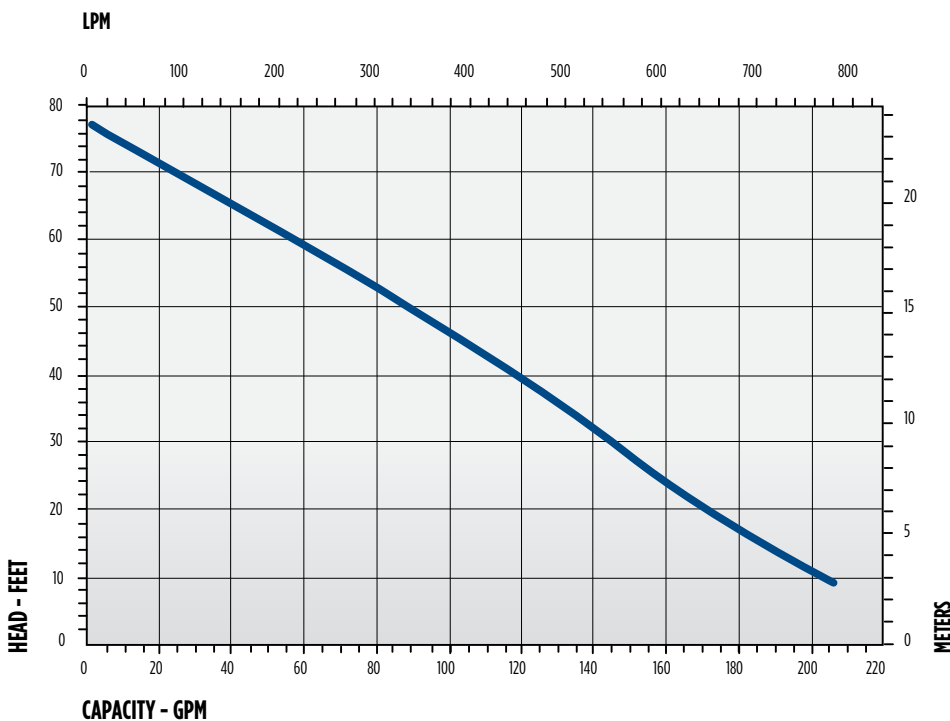
20S SERIES - 2 HP

ENGINEERING DATA



A	B	C
18.4"	13"	8.4"

PERFORMANCE DATA



CONSTRUCTION

Cover	Epoxy-coated cast iron
Motor Housing	Epoxy-coated cast iron
Impeller Material	Red brass
Impeller Type	Vortex
Volute	Epoxy-coated cast iron
Mechanical Shaft Seal	Carbon/ceramic
Fasteners	Stainless steel
Shaft	Stainless steel
Bearings	Upper and lower ball bearings
Power Cord (Stripped Leads)	14/3, SOW (1-phase); 14/4, SOW (3-phase)