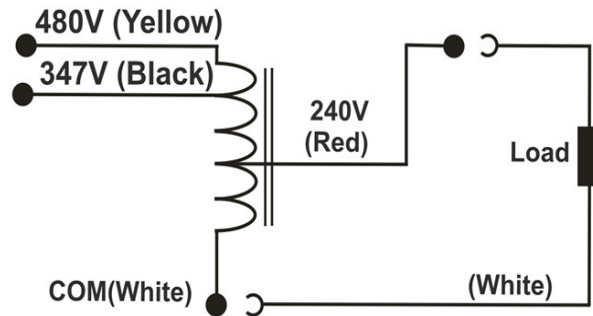
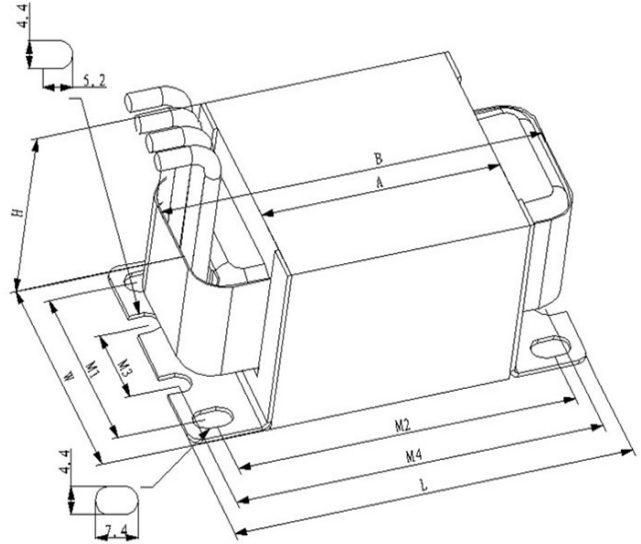




cUL[®] US RoHS ISO9001

Model No.	MTM00506224C
Product Type	Step-down Transformer
Rating (VA)	50
V _{in} V _{out}	480/347VAC 240VAC
Frequency	60 Hz
Status	Production

Input Voltage (V)		480/347	
Max Input Circuit (A)		0.12/0.16	
Max Output Circuit (A)		0.21	
Max. Load(VA)		50	
Output Voltage (V)		240	
Full Load	EFF. (%)	90/92	
	THD (%)	6.2/6.7	
	Power Factor	0.976/0.974	
UL Class B 130 Temp. Code		A	
Dimension (inches/mm)	Basic dimensions	A*	1.77±0.04/45±1
		B(Max)	2.76/70
		W	1.65±0.04/42±1
		H	1.34±0.04/34±1
	Installation dimensions	M1	1.28/32.6
		M2	2.50±0.04/63.6±2
		M3	0.57/14.4
		M4	2.72±0.04/69±2
		L	2.95±0.04/75±2
		Max Net Weight (lbs)	
Max Net Weight + LW (lbs)		1.07	
Lead Length (inches)		8±0.5	



A* not covered the thickness of the two holders

*Lead Type: (AVLV2, AVLV8), Type 3135, No. 18 AWG (or Equivalent), rated 200°C, 600 V. Strip 10mm Tin Plated. **347V lead wire is pre-insulated.**

Document No.:	PS_MTM_VA0050_62-24_C_M03
Date:	2017-02-08 (yyyy-mm-dd)

Product Standards: UL 5085-1, UL 5085-2
UL CCN: XPTQ2, XPTQ8