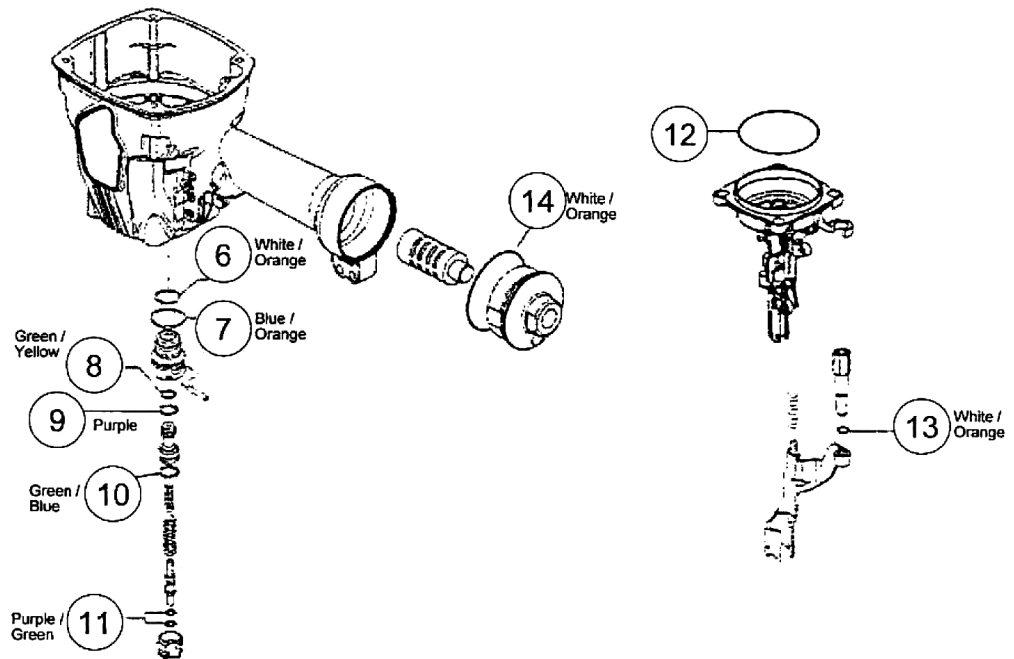
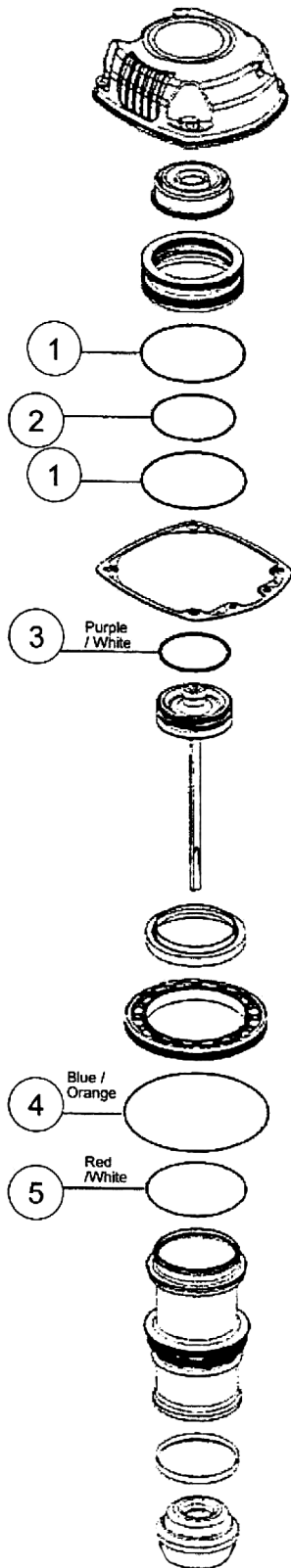


# RELIABILITY™

## Provin

### Contents of O-Ring Kit KT-MX-883

Key Number	Qty	Reliability Provin Number		Equivalent MAX® Part Number
		Part Number	Color Codes	
1	2	OR-PP-424		HH14150
2	1	OR-PP-408		HH11161
3	1	OR-PP-3021	Purple/White	HH19218
4	1	OR-PP-1171	Blue/Orange	HH12121
5	1	OR-PP-1166	Red/White	HH12107
6	1	OR-PP-1110	White/Orange	HH11125
7	1	OR-PP-1116	Blue/Orange	HH11138
8	1	OR-PP-1106	Green/Yellow	HH11119
9	1	OR-PP-1316	Purple	HH11209
10	1	OR-PP-971	Green/Blue	HH11113
11	2	OR-PP-6293	Purple/Green	HH11901
12	1	OR-PP-412		HH14729
13	1	OR-PP-1214	White/Orange	HH12904
14	1	OR-PP-1162	White/Orange	HH12111



\*Generously grease all O-rings at time of assembly

Note: Read and understand the safety information printed on the reverse side before repairing any tools.  
 Nota: Lea y comprende la información de seguridad impresa al reverso antes de reparar cualquier herramienta.

8/1/2017

Exploded View and O-ring List for  
 MAX SN883RH, SN883CH/34 & SN883CH/28

VL-MX-883

**CAUTION****CAUTION****CAUTION**

ALWAYS WEAR SAFETY GLASSES WITH SIDE SHIELDS WHEN USING PNEUMATICALLY OPERATED FASTENER DRIVING TOOLS

NEVER POINT THE TOOL AT YOURSELF OR ANYONE ELSE

NEVER BYPASS OR REMOVE ANY SAFETY DEVICE

ALWAYS FOLLOW THE ORIGINAL MANUFACTURE'S SAFETY AND SERVICE INSTRUCTION

NEVER ATTEMPT TO SERVICE OR REPAIR A PNEUMATICALLY OPERATED TOOL WITH THE COMPRESSES AIR LINE CONNECTED TO THE TOOL

NEVER LEAVE A PNEUMATICALLY OPERATED TOOL UNATTENDED WITH THE COMPRESSES AIR LINE CONNECTED

ALWAYS FOLLOW THE ORIGINAL TOOLS MANUFACTURE'S DISASSEMBLY, ASSEMBLY, AND TOOL INSPECTION PROCEDURES

**PRECAUTION****PRECAUTION****PRECAUTION**

SIEMPRE USE LENTES DE SEGURIDAD CON PROTECTORES LATERALES AL USAR HERRAMIENTAS DE IMPULSO CON SUJETADOR DE OPERACIÓN NEUMÁTICA

NUNCA APUNTE A SI MISMO O A OTRA PERSONA CON LA HERRAMIENTA

NUNCA EVITE O RETIRE ALGÚN DISPOSITIVO DE SEGURIDAD

SIEMPRE SIGA LAS INSTRUCCIONES DE SEGURIDAD Y SERVICIO DEL FABRICANTE ORIGINAL DE LA HERRAMIENTA

NUNCA INTENTE HACER MANTENIMIENTO O REPARAR UNA HERRAMIENTA DE OPERACIÓN NEUMÁTICA CON LA LINEA DE AIRE COMPRIMIDO CONECTADA A LA HERRAMIENTA

NUNCA DEJE SIN ATENCIÓN UNA HERRAMIENTA DE OPERACIÓN NEUMÁTICA CON LA LINEA DE AIRE COMPRIMIDO CONECTADA

SIEMPRE SIGA LOS PROCEDIMIENTOS DE DESMONTAJE, MONTAJE, E INSPECCIÓN DEL FABRICANTE ORIGINAL DE LA HERRAMIENTA

## O-Ring Kit

# KT-MX-883

For use on the following tool models.  
Kit contains all O-Rings in these tools.

MAX

SN883RH

SN883CH/34

SN883CH/28



7 1 2 2 1 8 0 0 3 3 0 7