

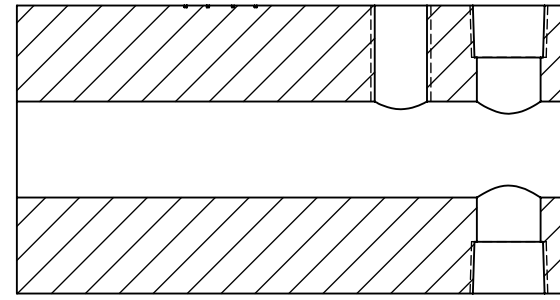
4

3

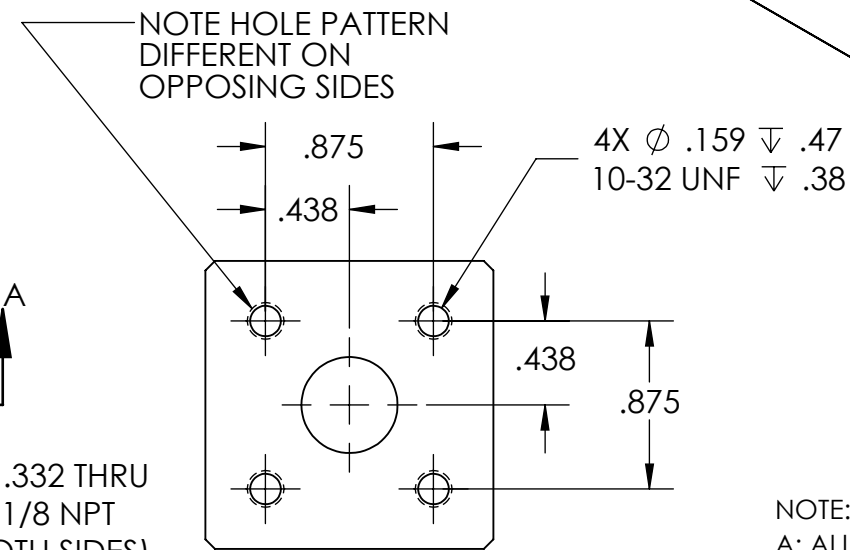
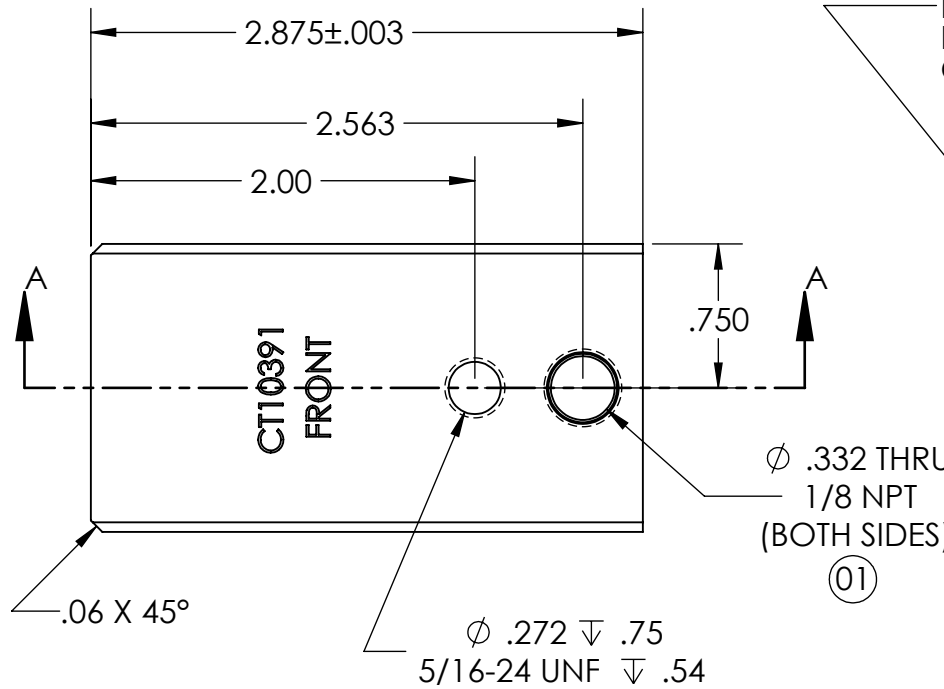
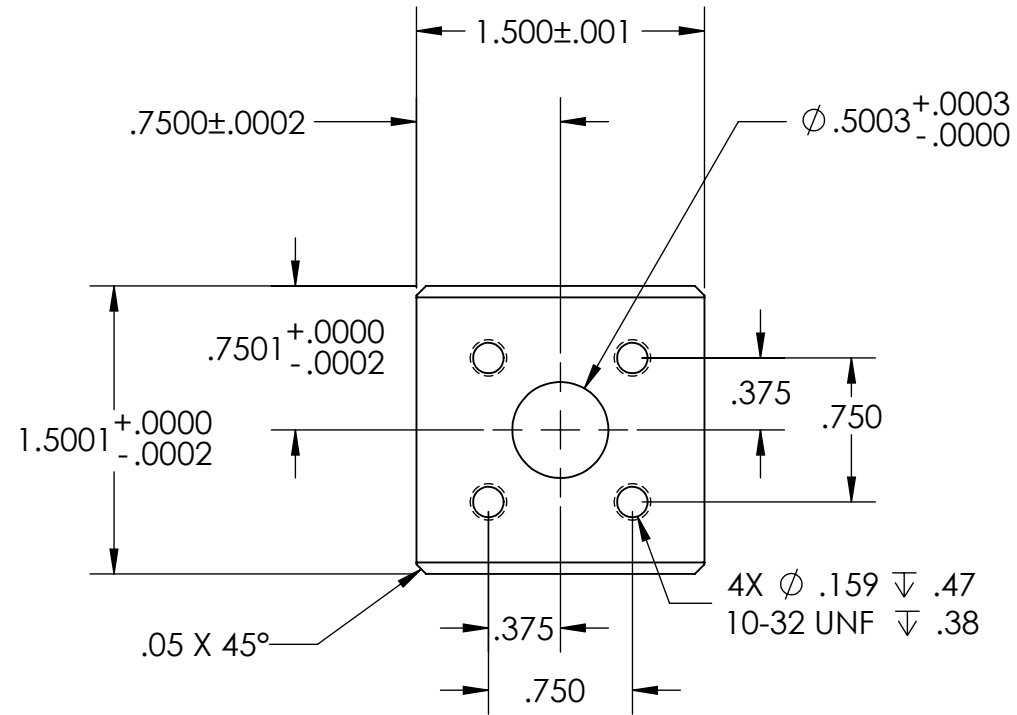
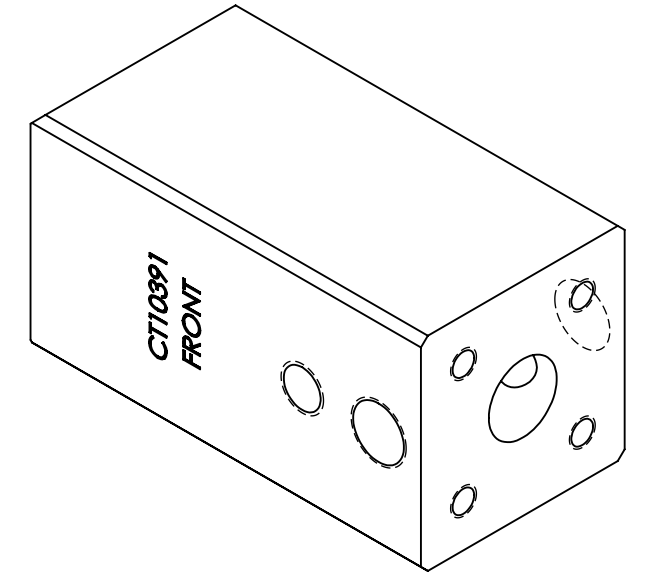
2

1

REVISIONS			
REV.	DESCRIPTION	DATE	APPROVED
00	INITIAL RELEASE	2/16/24	NNK
01	ADDED 1/8" NPT TO BACK SIDE (WAS .250 THRU)	5/28/2024	NK



SECTION A-A



NOTE:
 A: ALL DIMENSION TOLERANCES APPLY AFTER PARTS FINISH
 B: ALL THREADS TO BE PROTECTED FROM COATINGS

QTY:

- NOTES:
 1. BREAK ALL SHARP EDGES
 2. SCRIBE PART NUMBER & REVISION

PROPRIETARY AND CONFIDENTIAL		 THIRD ANGLE PROJECTION	UNLESS OTHERWISE SPECIFIED:		NAME	DATE	 D&M Holding Company
THE INFORMATION CONTAINED IN THIS DRAWING IS THE SOLE PROPERTY OF D&M HOLDING COMPANY. ANY REPRODUCTION IN PART OR AS A WHOLE WITHOUT THE WRITTEN PERMISSION OF D&M HOLDING COMPANY IS PROHIBITED. ALL DRAWINGS AND PRINTS, WHETHER IN PRINTED OR ELECTRONIC FORMAT, MAY ONLY BE USED FOR THE PURPOSE FOR WHICH PERMISSION TO USE WAS GRANTED. THIS DOCUMENT MAY CONTAIN TECHNOLOGY OR TECHNICAL DATA, THE USE OF WHICH IS RESTRICTED BY THE U.S. ARMS EXPORT CONTROL ACT. THIS DATA IS SUBJECT TO THE LIMITATIONS SPECIFIED IN THE INTERNATIONAL TRAFFIC IN ARMS REGULATIONS (ITAR). BY ACCEPTING THIS DATA, THE RECIPIENT AGREES TO HONOR THE REQUIREMENTS OF THE ITAR. THE INFORMATION ON THIS DOCUMENT MAY NOT BE TRANSFERRED TO ANY OTHER COUNTRY, OR TO A NATIONAL OF ANY OTHER COUNTRY, OR OTHERWISE BE DISPOSED OF IN ANY OTHER COUNTRY, EITHER IN THEIR ORIGINAL FORM OR AFTER BEING INCORPORATED INTO OTHER END-ITEMS IS PROHIBITED BY FEDERAL LAW.			DIMENSIONS ARE IN INCHES TOLERANCES: FRACTIONAL ±1/64 ANGULAR: MACH ±.5 BEND ±1 ONE PLACE DECIMAL ±.05 TWO PLACE DECIMAL ±.01 THREE PLACE DECIMAL ±.005 FOUR PLACE DECIMAL ±.0005	DRAWN	NK	2/16/2024	
		◎ ±.002 F.I.M. // ±.0005 PER INCH ⊥ ±.001 PER INCH	MATERIAL	A2 58-62 HRC		CHECKED ENG APPR. MFG APPR. Q.A. COMMENTS:	PUNCH HOLDER - PIERCE 1.5 X .5 X 2.875 4L-37 14 STATION
		BREAK ALL SHARP EDGES AND DEBURR ALL HOLES .03 MAX	FINISH	32 U.O.S.			SIZE B DWG. NO. CT10391 REV 01
			DO NOT SCALE DRAWING				SCALE: 1:1 WEIGHT: 0.21 SHEET 1 OF 1

4

3

2

1