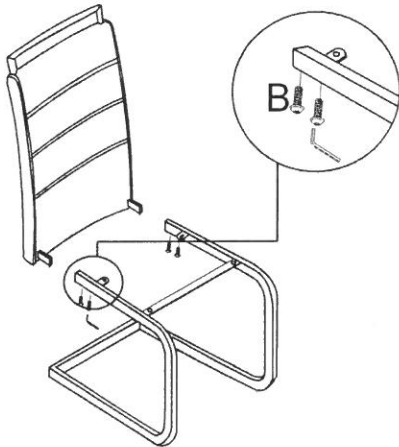


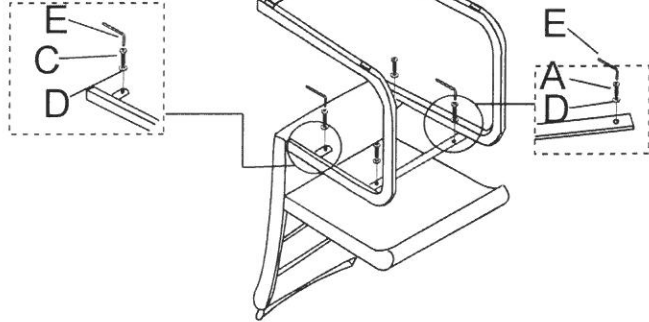
# ASSEMBLY INSTRUCTION

Item name: MANTIS Model number: G5440 Chair

## STEP 1

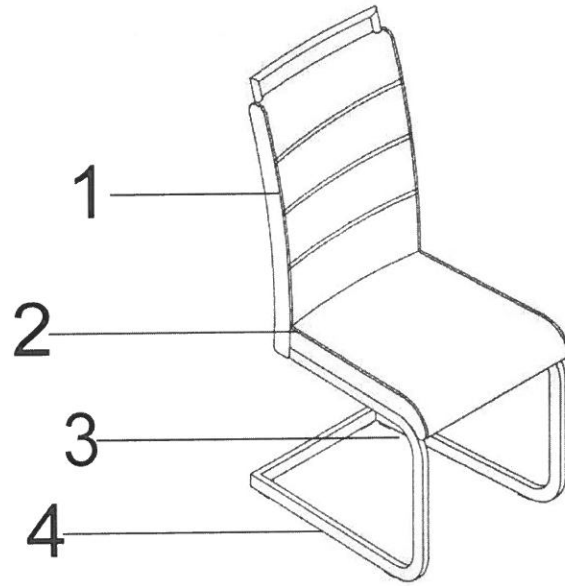


## STEP 2



Note: Please do not tighten all bolts until the item is fully assembled. Once assembled tighten all bolts.  
Not for commercial use.

G5440		HARDWARE	
A		M6x20mm	2
B		M6x12mm	4
C		M6x16mm	2
D		Ø18* 1.5mm	4
E		4mm Ø	1



Item No.		Part Description	Quantity
G5440	1	Chair Back	1
	2	Seat Cushion	1
	3	Frame	1
	4	Glide (30*10)	4
	HDWR	Hard ware pack	1