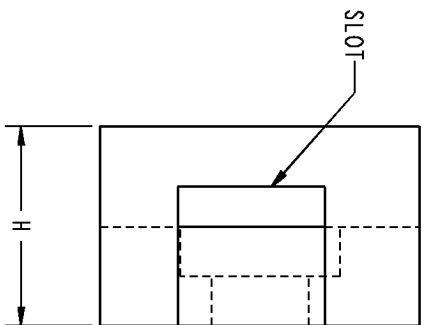
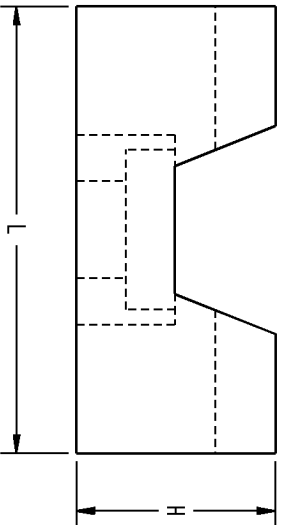
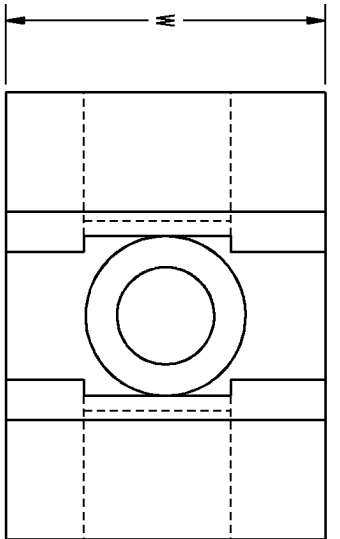


REFERENCE ISOMETRIC VIEW



- 1. NON-CONDUCTIVE, NON-CORROSIVE: RESISTANT TO FUELS, LUBRICANTS AND MOST CHEMICALS
- 2. UL FLAMMABILITY 94 V-2
- 3. HEAT STABILIZED BLACK NYLON
- 4. ACCEPTS CABLE TIES TO 120# TENSILE

SPEC. DRAWING TO BE REDRAWN SPEC. TEKENING TE HERTEKENEN

86513728 STD SHOP PRACTICE GUIDE  
 STD. NO. DESCRIPTION

Material	Heat Stabilized Black Nylon	Tolerance +/-
H	Height	Inch (mm)
L	Length	Inch (mm)
W	Width	Inch (mm)
Slot Height	Inch (mm)	
Slot Width	Inch (mm)	
Mount Method	#8, #10 Screw	

**METRIC**

UNLESS OTHERWISE SPECIFIED, ALL DIMENSIONS ARE IN MILLIMETERS SURFACE FINISH IN MICROMETERS Ra

GENERAL TOLERANCES PER CNH DRAWING STANDARD DWGB105

THE INFORMATION HEREON IS CONFIDENTIAL AND PROPRIETARY PROPERTY OF CNH GLOBAL N.V. AND/OR ITS SUBSIDIARIES. ANY USE, EXCEPT THAT FOR WHICH IT MAY BE LOANED, IS PROHIBITED.

DRAWN BY	3806V99	CHECKED BY	18JUN00	APPROVED BY	09DEC99
JRUDNIC		YDE		SCY	
LEXICON CODE	021B	REFERENCE PART		REPLACES	
CNH MATERIAL	NOT APPLICABLE	LOCAL MATERIAL	NOT APPLICABLE	DWG SCALE	DOC NO. - HOW NO.
APPROX MASS	0.002kg	ENGNG CONF	ZD	MODEL	NONE
LOCAL DESCRIPTION		DWG SCALE	A3/PRO	DOC NO.	SPC18.55

ECO	REV	CHANGES	BY	DATE
	C	REDRAWN IN PROF WAS CV	N AROHA	11OCT11
		SEE E-VIEWER FOR PREVIOUS CHANGES		

6 5 CAGE CODE: 10988 4 CLASS NO. 24.38 2 DWG REV. C

86590413