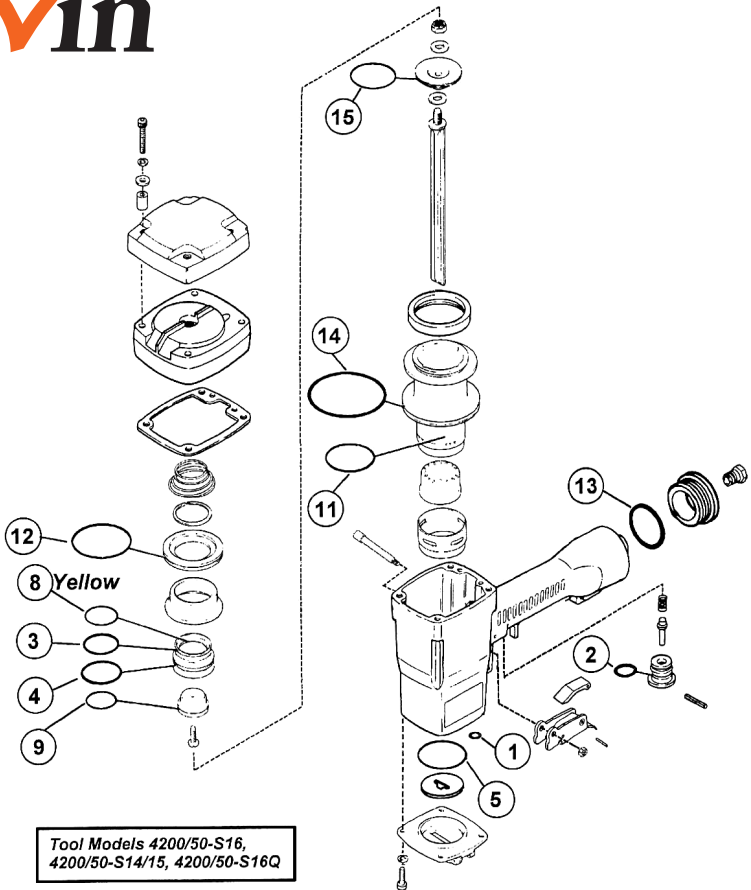
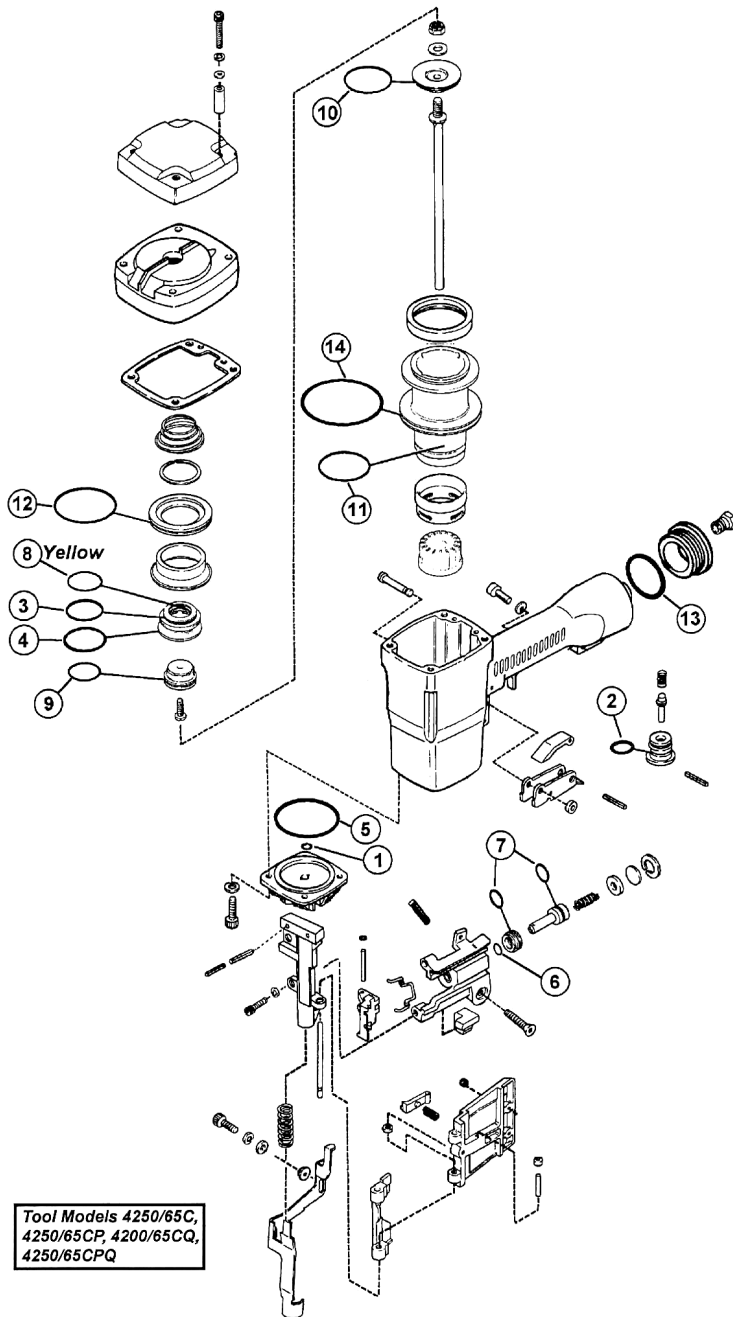


RELIABILITY™

Provin



Tool Models 4200/50-S16,
4200/50-S14/15, 4200/50-S16Q

Contents of O-Ring Kit KT-PA-425

Key Number	Quantity	Performance Provin, Inc.		Equivalent Paslode® Part Number
		Part Number	Color Code	
1	1	OR-PP-140		94295
2	1	OR-PP-150		92174
3	1	OR-PP-180		4163
4	1	OR-PP-184		402974
5	1	OR-PP-188		91208
6	1	OR-PP-342	Note 3	402031
7	2	OR-PP-354	Note 3	91541
8	1	OR-PP-364	Yellow	92729
9	1	OR-PP-366		402963
10	1	OR-PP-386	Note 3	91539
11	1	OR-PP-396		91022
12	1	OR-PP-406		402962
13	1	OR-PP-568		91591
14	1	OR-PP-590		402961
15	1	OR-PP-572	Note 2	91967

Note 2: Not used on 4250/65C, 4250/65CP, 4250/65CQ, and 4250/65CPQ.

Note 3: Not used on 4200/50-S16, 4200/50-S14/15, and 4200/50-S16Q.

*Generously grease all O-rings at time of assembly

Note: Read and understand the safety information printed on the reverse side before repairing any tools.
Nota: Lea y comprende la información de seguridad impresa al reverso antes de reparar cualquier herramienta.

6/16/2005

Exploded View and O-ring List for
PASLODE 4250/50-S16, 4200/50-S14/15, 4200/50-S16Q, 4200/65C,
4250/65CP, 4250/65CQ & 4250/65CPQ

VL-PA-21

CAUTION**CAUTION****CAUTION**

ALWAYS WEAR SAFETY GLASSES WITH SIDE SHIELDS WHEN USING PNEUMATICALLY OPERATED FASTENER DRIVING TOOLS

NEVER POINT THE TOOL AT YOURSELF OR ANYONE ELSE

NEVER BYPASS OR REMOVE ANY SAFETY DEVICE

ALWAYS FOLLOW THE ORIGINAL MANUFACTURE'S SAFETY AND SERVICE INSTRUCTION

NEVER ATTEMPT TO SERVICE OR REPAIR A PNEUMATICALLY OPERATED TOOL WITH THE COMPRESSED AIR LINE CONNECTED TO THE TOOL

NEVER LEAVE A PNEUMATICALLY OPERATED TOOL UNATTENDED WITH THE COMPRESSED AIR LINE CONNECTED

ALWAYS FOLLOW THE ORIGINAL TOOLS MANUFACTURE'S DISASSEMBLY, ASSEMBLY, AND TOOL INSPECTION PROCEDURES

PRECAUTION**PRECAUTION****PRECAUTION**

SIEMPRE USE LENTES DE SEGURIDAD CON PROTECTORES LATERALES AL USAR HERRAMIENTAS DE IMPULSO CON SUJETADOR DE OPERACIÓN NEUMÁTICA

NUNCA APUNTE A SI MISMO O A OTRA PERSONA CON LA HERRAMIENTA

NUNCA EVITE O RETIRE ALGÚN DISPOSITIVO DE SEGURIDAD

SIEMPRE SIGA LAS INSTRUCCIONES DE SEGURIDAD Y SERVICIO DEL FABRICANTE ORIGINAL DE LA HERRAMIENTA

NUNCA INTENTE HACER MANTENIMIENTO O REPARAR UNA HERRAMIENTA DE OPERACIÓN NEUMÁTICA CON LA LINEA DE AIRE COMPRIMIDO CONECTADA A LA HERRAMIENTA

NUNCA DEJE SIN ATENCIÓN UNA HERRAMIENTA DE OPERACIÓN NEUMÁTICA CON LA LINEA DE AIRE COMPRIMIDO CONECTADA

SIEMPRE SIGA LOS PROCEDIMIENTOS DE DESMONTAJE, MONTAJE, E INSPECCIÓN DEL FABRICANTE ORIGINAL DE LA HERRAMIENTA

O-Ring Kit

KT-PA-425

For use on the following tool models.
Kit contains all O-Rings in these tools.

PASLODE	4250/50-S16
	4200/50-S14/15
	4200/50-S16Q
	4200/65C
	4250/65CP
	4250/65CQ
	4250/65CPQ

