



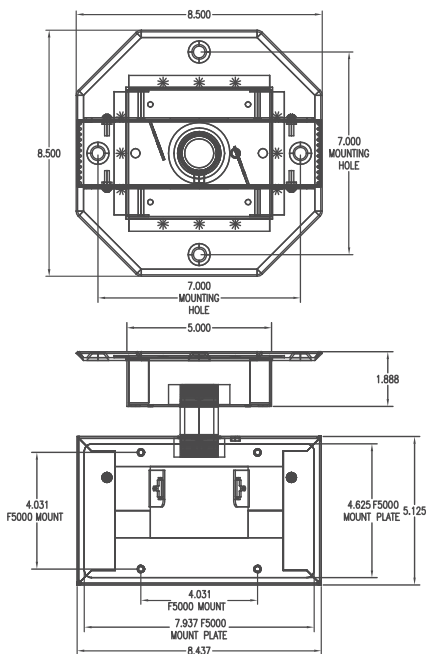
5000-014

Ceiling Pendant Mount

Specification

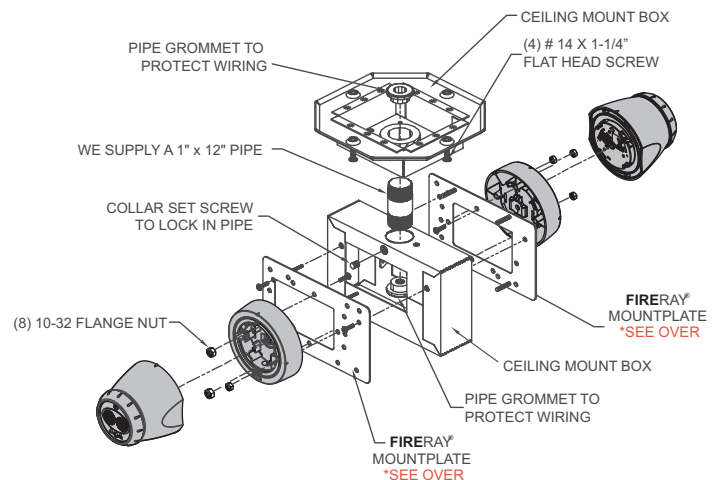
- Weight: 7.5 lbs.
- Includes Universal Mounting Plates.
- Does not include Universal Mounting Brackets or 5000 Detectors.
- Ceiling Pendant Mount comes with a 1" x 12" long threaded nipple.
- Contractor shall provide other nipple lengths as required.

Dimensions (in)



Assembly

- Ensure the top plate is securely mounted by the four mounting holes to a ridged surface to eliminate movement of bracket.
- Universal Mounting Plate orientation should be as such that when mounting a Fireray® 50/100R the studs protrude away from the Ceiling Mount Box. When mounting a Fireray® 5000, Fireray® 5000 Universal Bracket or reflective prism accessory the studs should face inwards, and a 1/4" gap left between the mounting plate and Ceiling Mount box.



*Includes 2 mounting plates and 1 blank mounting cover plate.
See over for mounting holes diagram

Specifications and wiring information are provided for information only and are believed to be accurate. FFE Ltd assumes no responsibility for their use. Data and design are subject to change without notice. Installation and wiring instructions are shipped with the products and should always be used for actual installation. For more information, contact your Sales Representative.

Document Part No: 24-0031-05



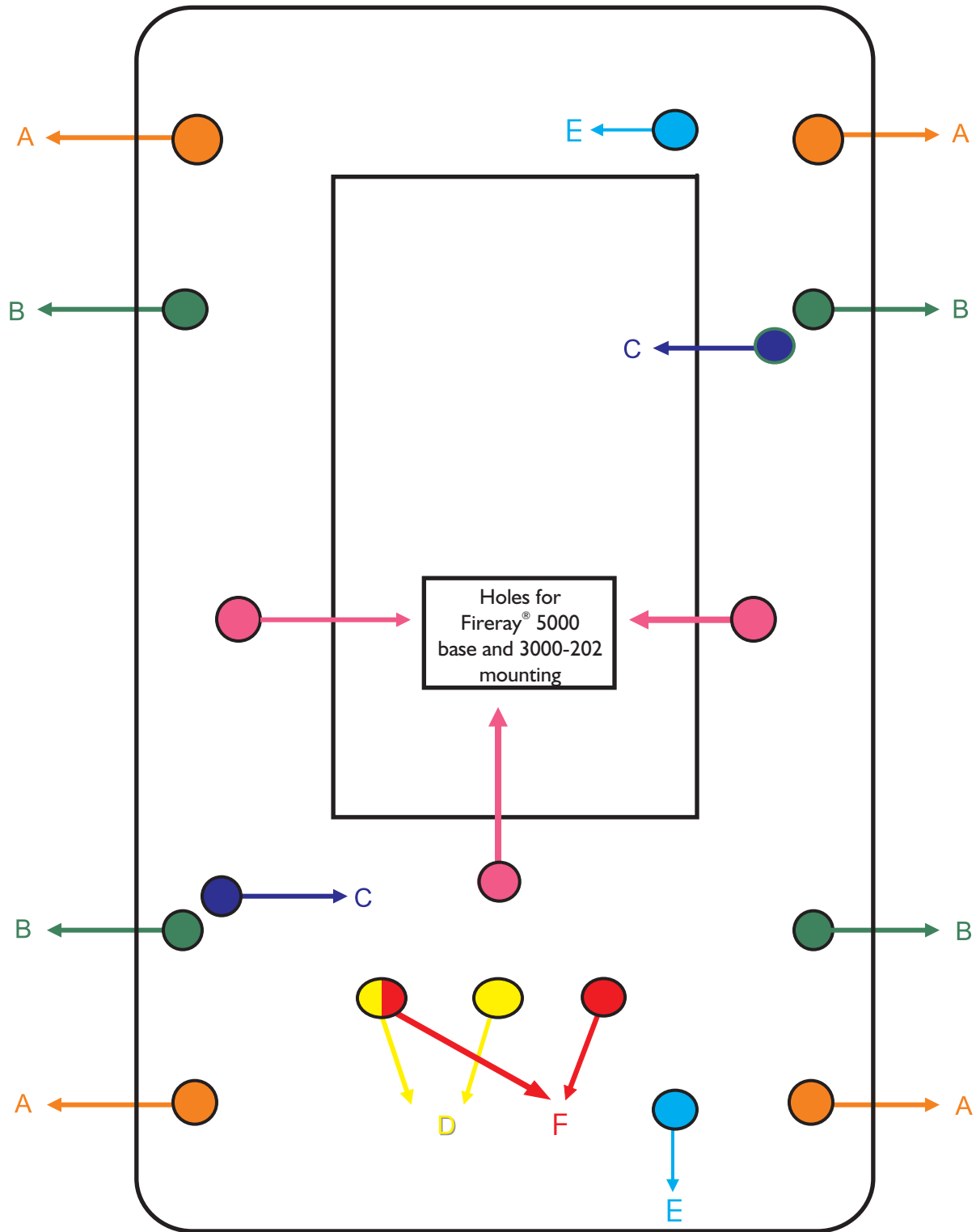
FFE Ltd
1455 Jamike Ave Ste 200, Erlanger
KY 41018-3147 USA







t 940 271 0435
f 972 534 1526
e america@ffeuk.com
w www.ffeuk.com

Formerly known as Fire Fighting Enterprises Ltd

www.ffeuk.com

Ceiling Pendant Mount Plate



- | | |
|---|--|
| A  Fireray® 50/100 mounting & 0893 Surface Mount Wall Bracket | D  Fireray® 2000 mounting |
| B  5000-005 Universal Mounting Bracket | E  Plate mounting |
| C  Prism mounting | F  Fireray® 3000 mounting |