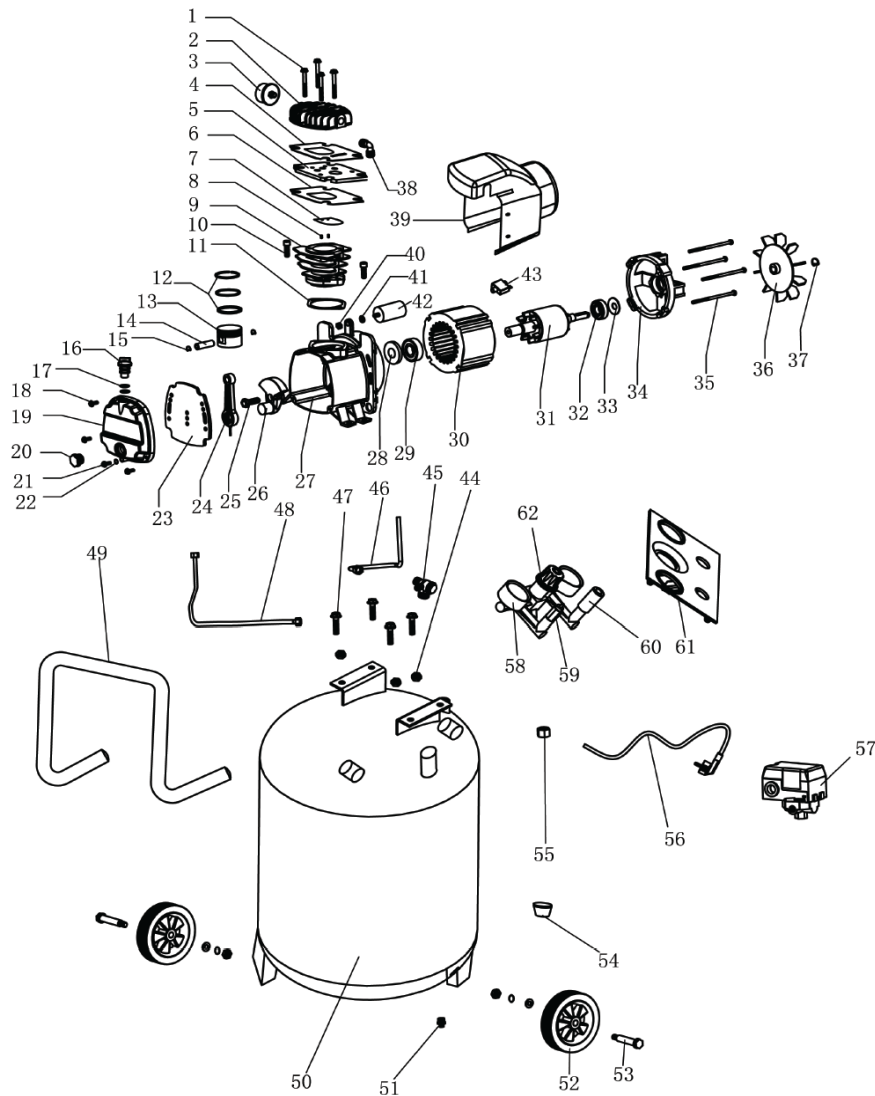




PORTABLE AIR COMPRESSOR BREAKDOWN

AC2010



REF	DESCRIPTION	QTY	PART NUMBER
3	Air filter	1	42.006.001
16	breath pipe	1	42.006.012
19	crank case cover	1	42.006.060
20	oil leveler, sight glass/plug	1	42.006.011
39	fan cover	1	42.006.020
45	check valve	1	42.006.023
46	release pipe	1	42.006.017
48	discharge pipe	1	42.006.069

51	drain valve	1	42.006.003
52	wheel	2	42.006.032
54	washer foot	1	42.006.029
57	pressure switch	1	42.006.004
58	pressure gauge	2	42.006.026
59	safety valve	1	42.006.009
60	quick couplers	1	42.006.033
62	regulator valve	1	42.006.008