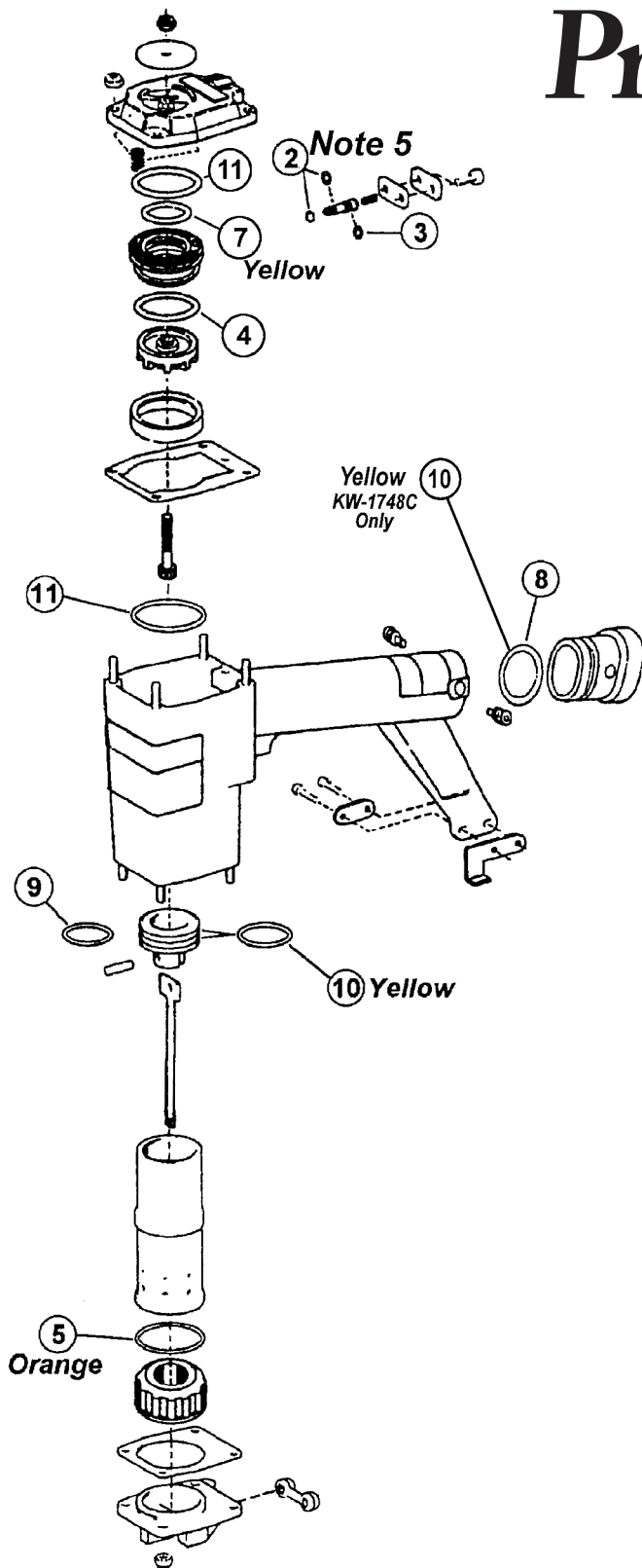


RELIABILITY™

Provin



Contents of O-Ring Kit KT-DF-848

Key Number	Quantity	Performance Provin, Inc.			Equivalent DuoFast® Part Number	
		Part Number	Color Code			
1	1	OR-PP-134	Yellow	Note 4	KN-100-1	OR-005-70L
2	2	OR-PP-140		Note 5	6688	OR-008-70L
3	1	OR-PP-144			MS-100-3	OR-010-70L
4	1	OR-PP-176			KW-100-1	OR-026-80N
5	1	OR-PP-184B	Orange		MS-100-4	OR-030-90N
6	1	OR-PP-328		Note 3	BN-100-4	OR-102-70L
7	1	OR-PP-364	Yellow		BN-100-2	OR-120-70L
8	1	OR-PP-366			KN-100-7	OR-121-70L
9	1	OR-PP-370			KN-100-6	OR-123-70N
10	3	OR-PP-374	Yellow	Note 6	DE-100-1	OR-125-70L
11	2	OR-PP-386			CA-100-4	OR-131-70L
12	8	OR-PP-6262	Gray	Note 2	KN-100-2	KN-100-2L
13	2	OR-PP-2552	Purple		KN-100-5	KN-100-5L

Note 2: Tools KN-1848, KN-1848A, KN-6440, KS-7648, KW-1748A, KW-1748B, KW-1748C, KW-1848, KW-6532, KWR-1748A, KWR-1748B and KWR-1748C use quantity 7 of key number 12 (OR-PP-6262) O-Ring.

Note 3: Key number 6 (OR-PP-328) is not used on tools KN-1848, KN-1848A, KN-6440, KS-7648, KW-1748A, KW-1748B, KW-1748C, KW-1848, KW-6532, KWR-1748A, KWR-1748B and KWR-1748C.

Note 4: Key number 1 (OR-PP-134) is not used on tools LFN-764 and LFN-764A.

Note 5: Make certain that key number 2 (OR-PP-140) is fully seated at the bottom of the valve bore in the cap. Air leaks can occur from the exhaust port in the cap and the piston fail to return if this O-Ring is not properly seated.

Note 6: Tools KN-1848, KN-1848A, KN-6440, KS-7648, KW-1748A, KW-1748B, KW-1748C, KW-1848, KW-6532, KWR-1748A, KWR-1748B LFN-764 and LFN-764A use quantity 2 of key number 10 (OR-PP-374) O-Ring.

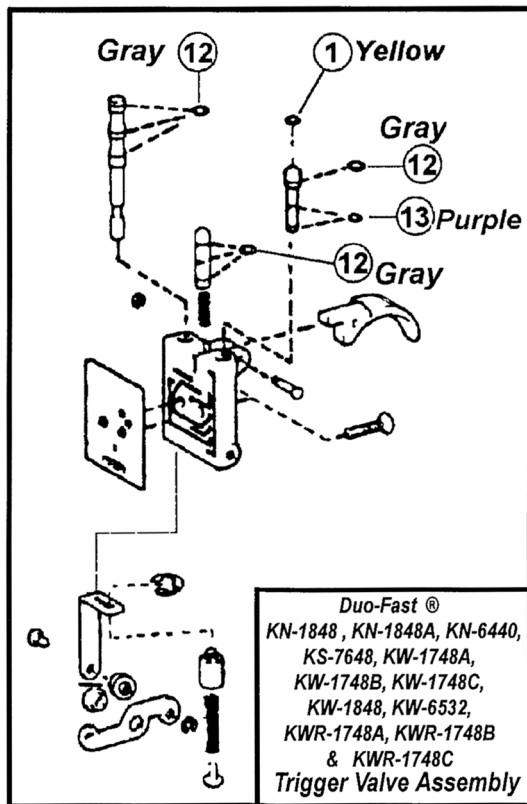
*Generously grease all O-rings at time of assembly

Note: Read and understand the safety information printed on the reverse side before repairing any tools.
Nota: Lea y comprende la informacion de seguridad impresa al reverso antes de reparar cualquier herramienta.

10/25/2004

Exploded View and O-ring List for DUO-FAST KN-1848, KN-1848A, KN-6440, KS-7648, KW-1748A, KW-1748B, KW-1784C, KW-1848, KW-6532, KWR-1748A, KWR-1748B, KWR-1784C, LFN-764 & LFN-764A

VL-DF-21



CAUTION CAUTION CAUTION

ALWAYS WEAR SAFETY GLASSES WITH SIDE SHIELDS WHEN USING PNEUMATICALLY OPERATED FASTENER DRIVING TOOLS

NEVER POINT THE TOOL AT YOURSELF OR ANYONE ELSE

NEVER BYPASS OR REMOVE ANY SAFETY DEVICE

ALWAYS FOLLOW THE ORIGINAL MANUFACTURE'S SAFETY AND SERVICE INSTRUCTION

NEVER ATTEMPT TO SERVICE OR REPAIR A PNEUMATICALLY OPERATED TOOL WITH THE COMPRESSES AIR LINE CONNECTED TO THE TOOL

NEVER LEAVE A PNEUMATICALLY OPERATED TOOL UNATTENDED WITH THE COMPRESSES AIR LINE CONNECTED

ALWAYS FOLLOW THE ORIGINAL TOOLS MANUFACTURE'S DISASSEMBLY, ASSEMBLY, AND TOOL INSPECTION PROCEDURES

PRECAUTION PRECAUTION PRECAUTION

SIEMPRE USE LENTES DE SEGURIDAD CON PROTECTORES LATERALES AL USAR HERRAMIENTAS DE IMPULSO CON SUJETADOR DE OPERACIÓN NEUMÁTICA

NUNCA APUNTE A SI MISMO O A OTRA PERSONA CON LA HERRAMIENTA

NUNCA EVITE O RETIRE ALGÚN DISPOSITIVO DE SEGURIDAD

SIEMPRE SIGA LAS INSTRUCCIONES DE SEGURIDAD Y SERVICIO DEL FABRICANTE ORIGINAL DE LA HERRAMIENTA

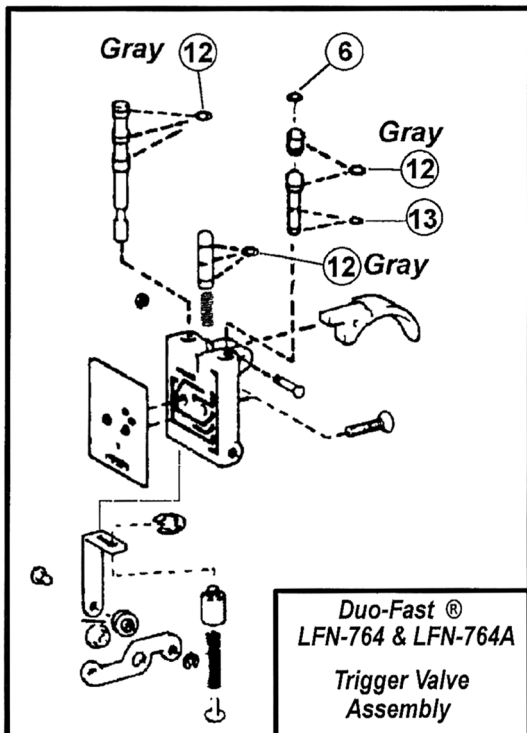
NUNCA INTENTE HACER MANTENIMIENTO O REPARAR UNA HERRAMIENTA DE OPERACIÓN NEUMÁTICA CON LA LINEA DE AIRE COMPRIMIDO CONECTADA A LA HERRAMIENTA

NUNCA DEJE SIN ATENCIÓN UNA HERRAMIENTA DE OPERACIÓN NEUMÁTICA CON LA LINEA DE AIRE COMPRIMIDO CONECTADA

SIEMPRE SIGA LOS PROCEDIMIENTOS DE DESMONTAJE, MONTAJE, E INSPECCIÓN DEL FABRICANTE ORIGINAL DE LA HERRAMIENTA

O-Ring Kit KT-DF-848

For use on the following tool models.
Kit contains all O-Rings in these tools.



DUO-FAST	KN-1848
	KN-1848A
	KN-6440
	KS-7648
	KW-1748A
	KW-1748B
	KW-1784C
	KW-1848
	KW-6532
	KWR-1748A
	KWR-1748B
	KWR-1784C
	LFN-764
	LFN-764A

