



**TRASH PUMP
TRANSFER PUMP
CHEMICAL PUMP**

User Manual

Introduction

3 Using the Operators Manual

Product Identification

4 Water Pump

4 Engine

Safety

5 Safety Rules & Warnings

5 Hazard Symbols & Meanings

Water Pump Components

10 Component Chart

Assembly

11 Connecting Hose to Pump

11 Attaching Suction Hose to Strainer Basket

11 Connecting Discharge Hose

Operation

12 What is "Head"

12 Moving the Water Pump to a Safe Location

13 Priming the Water Pump

14 Placing the Strainer Basket in Water Source

Starting The Water Pump

15 Starting the Pump & First-Time Use

Stopping The Water Pump

16 Stopping the Water Pump

17 Draining & Flushing the Water Pump

Attention: Read through the complete manual prior to the initial use of your water pump

Using the Operator’s manual

The operating manual is an important part of your water pump. It should be read thoroughly before initial use, and referred to often to make sure adequate safety and service concerns are being addressed.

Reading the owner’s manual thoroughly will help avoid any personal injury or damage to your machine. By knowing how best to operate this machine, you will be better positioned to show others who may also operate the unit.

This manual is written to take you from the safety requirements to the operating functions of your machine. You can refer back to the manual at any time to help troubleshoot any specific operating functions, so store it with the machine at all times.

Record Identification Numbers

Water Pump

If you need to contact an Authorized Dealer or Customer Service line for information on servicing, always provide the product model and identification numbers.

You will need to locate the model and serial number for the machine and record the information in the places provided below.

Date of Purchase:
Dealer Name:
Dealer Phone:

Product Identification Numbers
Model Number:
Serial Number:


Engine
Horse Power:

Save these Instructions

Safety Rules






This is the safety alert symbol. It is used to alert you to potential personal injury hazards. Obey all safety messages that follow this symbol to avoid possible injury or death.



The safety alert symbol () is used with a signal word (DANGER, CAUTION, WARNING), a pictorial and/or a safety message to alert you to hazards.



DANGER indicates a hazard which, if not avoided, will result in death or serious injury.
WARNING indicates a hazard which, if not avoided, could result in death or serious injury.
CAUTION indicates a hazard which, if not avoided, might result in minor or moderate injury.
NOTICE indicates a situation that could result in equipment damage. Follow safety messages to avoid or reduce the risk of injury or death.


Hazard Symbols and Meanings

 EXPLOSION	 FIRE	 ELECTRIC SHOCK
 KICKBACK	 HOT SURFACE	 TOXIC FUMES
 MOVING PARTS	 SLIPPERY	 READ MANUAL

 WARNING	
	Running engine gives off carbon monoxide, an odorless, colorless, poison gas. Breathing carbon monoxide can cause headache, fatigue, dizziness, vomiting, confusion, seizures, nausea, fainting or death.
<ul style="list-style-type: none"> Operate water pump ONLY outdoors. Keep exhaust gas from entering a confined area through windows, doors, ventilation intakes, or other openings. DO NOT start or run engine indoors or in an enclosed area, even if windows and doors are open. 	

 WARNING	
	Use of water pump can create puddles and slippery surfaces.
<ul style="list-style-type: none"> Operate water pump from a stable surface. The area should have adequate slopes and drainage to reduce the possibility of a fall due to slippery surfaces. 	

 WARNING	
	Unintentional sparking can result in fire or electric shock.
<p>When Adjusting or Making Repairs to Your Water Pump</p> <ul style="list-style-type: none"> Disconnect the spark plug wire from the spark plug and place the wire where it cannot contact spark plug. <p>When Testing for Engine Spark</p> <ul style="list-style-type: none"> Use approved spark plug tester. DO NOT check for spark with spark plug removed. 	

 WARNING
This product can expose you to chemicals including lead, which is known to the State of California to cause cancer and birth defects or other reproductive harm. For more information, go to www.P65Warnings.ca.gov . Wash hands after handling.

WARNING	
 	<p>Fuel and its vapors are extremely flammable and explosive.</p> <p>Fire or explosion can cause severe burns or death.</p>
<p>When Adding or Draining Fuel</p> <ul style="list-style-type: none"> ▪ Turn water pump OFF and let it cool at least 2 minutes before removing fuel cap. Loosen cap slowly to relieve pressure in tank. ▪ Fill or drain fuel tank outdoors. ▪ DO NOT overfill tank. Allow space for fuel expansion. ▪ If fuel spills, wait until it evaporates before starting engine. ▪ Keep fuel away from sparks, open flames, pilot lights, heat, and other ignition sources. ▪ DO NOT light a cigarette or smoke. <p>When Starting Equipment</p> <ul style="list-style-type: none"> ▪ Ensure spark plug, muffler, fuel cap, and air cleaner are in place. ▪ DO NOT crank engine with spark plug removed. <p>When Operating Equipment</p> <ul style="list-style-type: none"> ▪ DO NOT pump flammable liquids, such as fuel or fuel oils. ▪ This water pump is not for use in mobile equipment or marine applications. ▪ DO NOT tip engine or equipment at angle which causes fuel to spill. ▪ Secure water pump. Loads from hoses may cause tipover. <p>When Transporting or Repairing Equipment</p> <ul style="list-style-type: none"> ▪ Transport/repair with fuel tank EMPTY or with fuel shutoff valve OFF. ▪ Disconnect spark plug wire. <p>When Storing Fuel or Equipment with Fuel in Tank</p> <ul style="list-style-type: none"> ▪ Store away from furnaces, stoves, water heaters, clothes dryers, or other appliances that have pilot light or other ignition source because they can ignite fuel vapors. 	

WARNING	
	<p>Starter cord kickback (rapid retraction) can result in bodily injury. Kickback will pull hand and arm toward engine faster than you can let go.</p> <p>Broken bones, fractures, bruises, or sprains could result.</p> <p>Keep hands and body clear from discharge of pump.</p>
<ul style="list-style-type: none"> ▪ When starting engine, pull cord slowly until resistance is felt and then pull rapidly to avoid kickback. ▪ Secure discharge hose to avoid whipping. 	
WARNING	
 	<p>Contact with muffler area can result in serious burns.</p> <p>Exhaust heat/gases can ignite combustibles, structures or damage fuel tank causing a fire.</p>
<ul style="list-style-type: none"> ▪ DO NOT touch hot parts and AVOID hot exhaust gases. ▪ Allow equipment to cool before touching. ▪ Keep at least 5 feet (1.5 m) of clearance on all sides of pressure washer including overhead. 	
WARNING	
	<p>Starter and other rotating parts can entangle hands, hair, clothing, or accessories.</p>
<ul style="list-style-type: none"> ▪ NEVER place hands or body parts inside of running pump or hoses. ▪ Never operate water pump without protective housing or covers. ▪ DO NOT wear loose clothing or anything that may be caught in the starter or other rotating parts. ▪ Tie up long hair and remove jewelry. 	

⚠ CAUTION

Excessively high operating speeds increase risk of injury and damage to water pump.

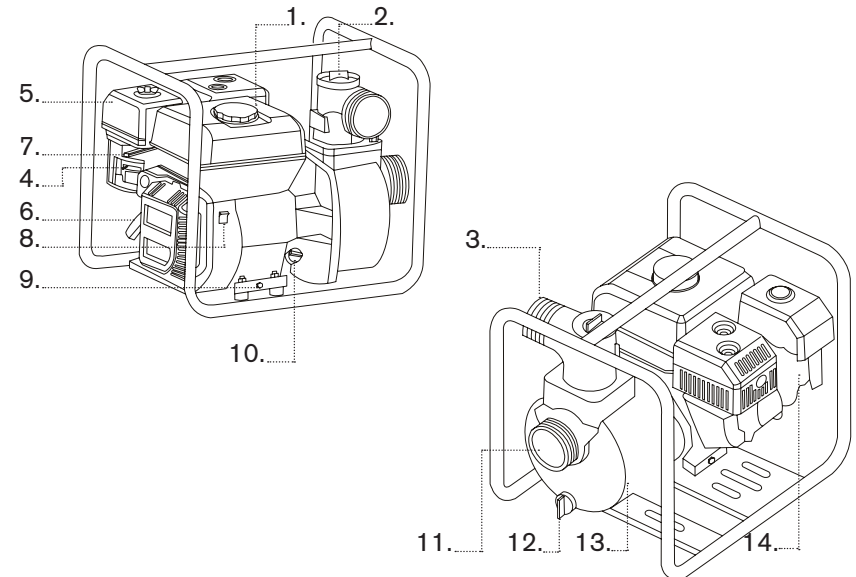
Excessively low speeds impose a heavy load.

- DO NOT tamper with the governed speed.
- DO NOT modify the water pump.
- DO NOT allow unqualified persons or children to operate or service water pump.

NOTICE

Improper treatment of water pump can damage it and shorten its life.

- If you have questions about intended use, ask dealer or contact nearest authorized dealer.
- Be sure pump chamber is filled with water before starting the engine. Never run pump without priming.
- Use a non-collapseable hose on the suction side of the hose.
- Use water pump only for intended uses.
- Pumping sea water, beverages, acids, chemical solutions, or any other liquid that promotes corrosion can damage the pump.
- Ensure all connections are air tight.
- DO NOT obstruct the suction or discharge hose in any way.
- NEVER operate pump without strainer basket connected to end of suction hose.
- NEVER allow vehicles to drive over hoses. If a hose must be positioned across a roadway, use planking on each side of hose to allow vehicles to pass over without obstructing or collapsing hose.
- Anchor pump to avoid equipment movement.
- Keep equipment away from edge of river or lake where it could cause the bank to collapse.
- DO NOT insert any objects through cooling slots.
- NEVER operate units with broken or missing parts, or without protective housing or covers.
- DO NOT by-pass any safety device on this machine.
- NEVER move machine by pulling on hoses. Use frame on unit.
- Check fuel system for leaks or signs of deterioration, such as chafed or spongy hose, loose or missing clamps, or damaged tank or cap. Correct all defects before operating water pump.



- 1. Fuel Tank** Fill tank with regular unleaded fuel. Always leave room for fuel expansion.
- 2. Priming Plug** Fill pump with water here to prime pump before starting.
- 3. Discharge Outlet** Connect discharge hose here.
- 4. Choke Lever** Prepares a cold engine for starting.
- 5. Air Cleaner** Protects engine by filtering dust and debris out of intake air.
- 6. Recoil Starter** Used for starting the engine manually.
- 7. Engine Speed Lever** Used to adjust engine speed to control pump output.
- 8. On/Off Switch** Set this switch to "On" before using recoil starter. Set switch to "Off" to stop a running engine.
- 9. Oil Drain** Drain engine oil here.
- 10. Oil Fill** Check and add engine oil here.
- 11. Suction Inlet** Connect reinforced suction hose here.
- 12. Water Drain Plug** Remove to drain water from pump and flush internal components with clean water.
- 13. Pump Chamber** Be sure to fill with water before starting.
- 14. Fuel Shutoff Valve** Used to turn fuel supply on and off to engine.

Item Not Shown:

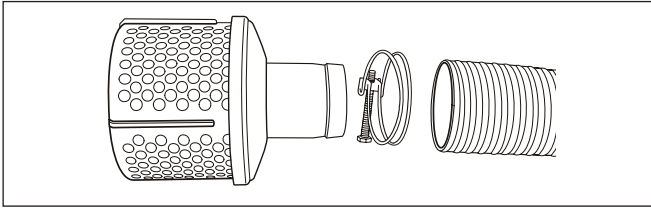
- ***Strainer Basket** Used to limit passage of abrasive materials into the pump.

* This item is not included with all models.

Your water pump requires some set up and is ready for use after it has been properly serviced with the recommended oil and fuel.

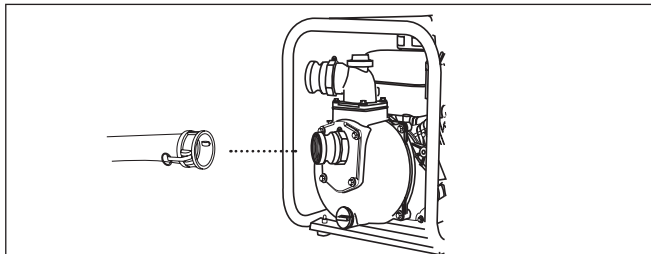
Attach Suction Hose to Strainer Basket

1. Slide hose clamp over hose. Attach open end of suction hose to strainer basket barb. Tighten hose clamp securely.



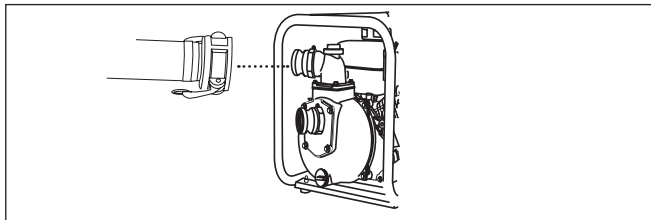
Connect Suction Hose (Mandatory)

Attach Suction Hose by connecting camlocks.



Connect Discharge Hose (Optional)

If desired, use a commercially available hose. DO NOT use a hose with an inside diameter smaller than the pump's discharge port size.



What is "Head"

Head refers to the height of a column of water that can be delivered by the discharge of the pump.

Suction Head is the vertical distance between the center of the pump and the surface of the liquid on the suction side of the pump. May also be referred to as "suction lift". The atmospheric pressure of 14.7 psi at sea level limits suction head lift to less than approximately 26 feet for any pump.

Discharge Head is the vertical distance between the pump's discharge port and the point of discharge, which is the liquid surface if the hose is submerged or pumping into the bottom of a tank.

Total Head is the sum of the suction head value plus the discharge head value.

As water pumping height increases, pump output decreases. The length, type, and size of the suction and discharge hoses can also significantly affect pump output.



It is important for the suction operation to be the shorter part of the total pumping action. This will decrease the priming time and improve pump performance by increasing the discharge head.

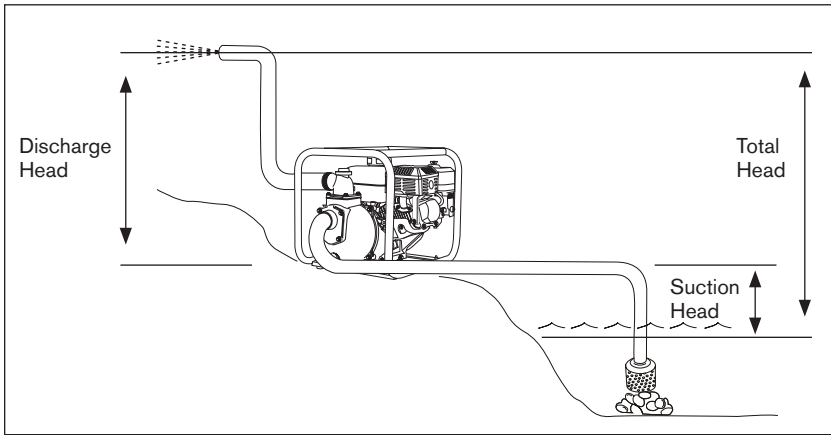
Suction head is a maximum of 25 feet and discharge head should be a maximum of 81 feet. Total head can not be more than 106 feet as shown on next page.

Move Water Pump to Safe Operating Location

For best pump performance, locate the pump on a flat, level surface as close as possible to the water to be pumped. Secure water pump to avoid tipover. Use hoses that are no longer than necessary.

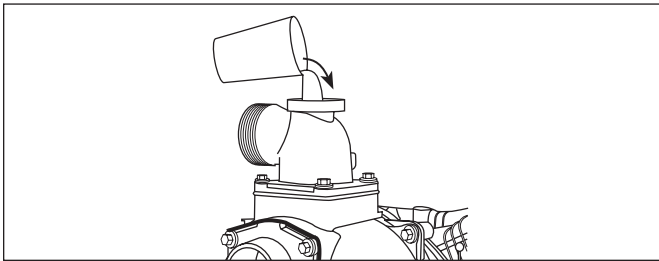
IMPORTANT: Direct open end of discharge hose away from home, electrical devices or anything not desired to get wet.

⚠ WARNING	
 	<p>Fuel and its vapors are extremely flammable and explosive.</p> <p>Fire or explosion can cause severe burns or death.</p>
<ul style="list-style-type: none"> ▪ This water pump is not for use in mobile equipment or marine applications ▪ DO NOT tip engine or equipment at angle which causes fuel to spill. ▪ Secure water pump. Loads from hoses may cause tip over. 	



Prime the Water Pump

1. Remove priming plug from top of pump.
2. Fill pump with clean, clear water up to top of discharge outlet.
3. Replace priming plug, ensuring that the seal is tight.



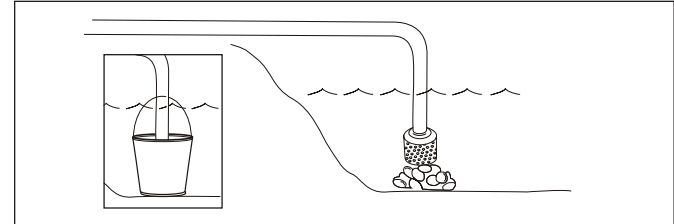
NOTICE

Improper treatment of water pump can damage it and shorten its life.

- Be sure chamber is filled with water before starting the engine.
- NEVER run pump without priming

Placing Strainer Basket Into Water Source

Place strainer basket into water to be pumped. Basket must be fully immersed.



NOTICE

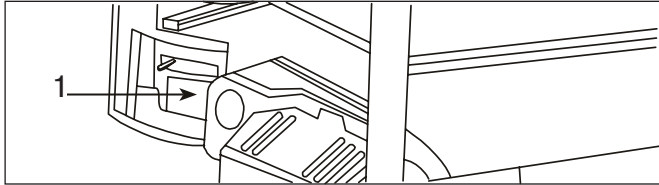
Improper treatment of water pump can damage it and shorten its life.

- NEVER operate pump without strainer connected to end of suction hose.
- Keep strainer out of sand or silt, place in bucket or on stones.
- DO NOT let pump run dry or damage to seals may result.

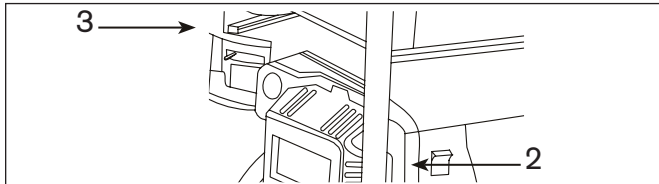
Starting the Water Pump

Use the following start instructions:

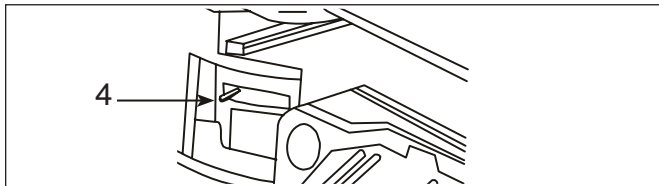
1. **Fill Engine with Oil, SAE 10W30**
2. Make sure unit is on a flat, level surface and pump chamber is primed.
3. Turn fuel valve (1) to "On" position. The fuel valve handle will be vertical (pointing toward the ground).



4. Push on/off switch (2) to "On" position.
5. Move engine speed lever (3) to "Fast" () position.



6. Move choke lever (4) to "On" position.



7. Grasp recoil handle and pull slowly until slight resistance is felt. Then pull handle rapidly to overcome compression, prevent kickback and start engine.

⚠ WARNING	
	<p>Starter cord kickback (rapid retraction) can result in bodily injury. Kickback will pull hand and arm toward engine faster than you can let go.</p> <p>Broken bones, fractures, bruises, or sprains could result.</p>
<ul style="list-style-type: none"> ▪ When starting engine, pull cord slowly until resistance is felt and then pull rapidly to avoid kickback. 	

IMPORTANT: If excessive fuel is present in the air/fuel mixture causing a "flooded" condition, move choke lever to "Run" position and pull handle repeatedly until engine starts.

8. Move choke lever to "Run" position a short distance at a time over several seconds in warm weather or minutes in cold weather. Let engine run smoothly before each change. Operate with choke in "Run" position.

IMPORTANT: It may take a few minutes for water pump to begin pumping water.

⚠ WARNING	
 	<p>Contact with muffler area can result in serious burns.</p> <p>Exhaust heat/gases can ignite combustibles, structures or damage fuel tank causing a fire.</p>
<ul style="list-style-type: none"> ▪ DO NOT touch hot parts and AVOID hot exhaust gases. ▪ Allow equipment to cool before touching. ▪ Keep at least 5 feet (1.5 m) of clearance on all sides of pressure washer including overhead. 	

Pump output is controlled by adjusting engine speed. Moving the engine speed lever in the "Fast" direction will increase pump output, and moving the engine speed lever in the "Slow" direction will decrease pump output.

Stopping the Water Pump

1. Move engine speed lever to "Slow" position.
2. Push on/off switch to "Off" position.
3. Turn fuel valve to "Off" position.

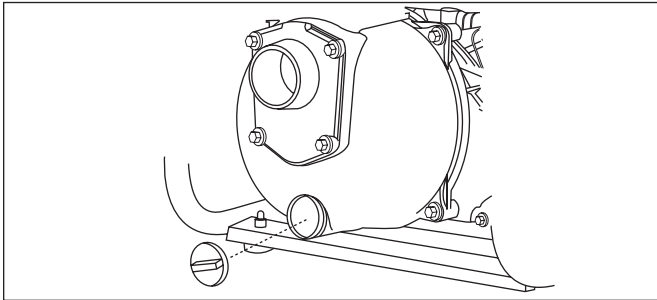
⚠ WARNING

Backfire, fire or engine damage could occur.

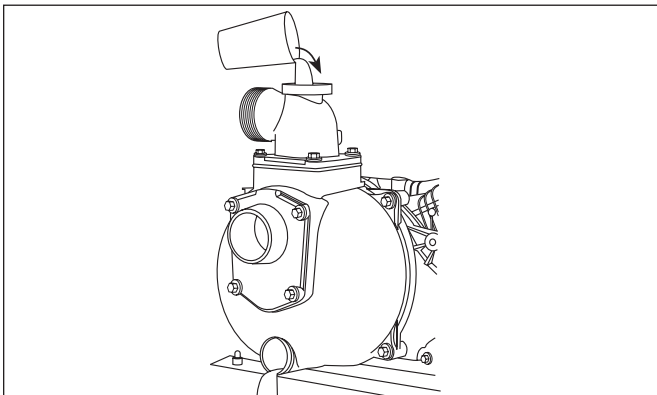
- DO NOT stop engine by moving choke control to "Choke" position.

Drain and Flush Water Pump

1. Disconnect and drain suction and discharge hoses.
2. Remove drain plug at bottom of pump.



3. Remove primer plug from top of pump and flush internal components of pump with clean water.



4. Replace both plugs and finger tighten.



If you need assistance with the assembly
or operation of your Water Pump please call

1-866-850-6662

Arrêt de la pompe à eau

1. Bouger le levier de vitesse à la position SLOW.
2. Appuyez sur la position OFF sur l'interrupteur ON/OFF.
3. Tournez la valve d'essence sur la position OFF.

ATTENTION 

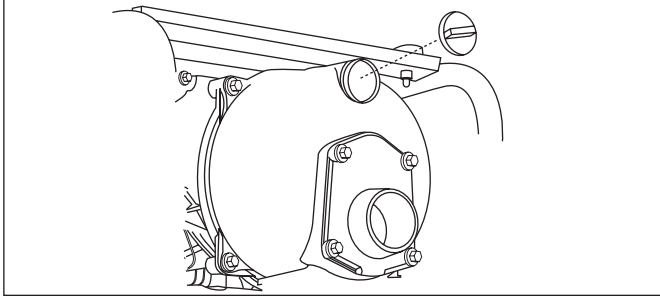
Pétarade, feu ou des dommages au moteur pourraient survenir.



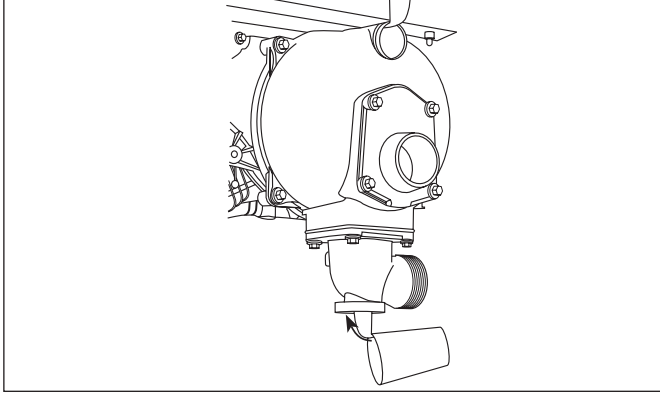
• NE PAS arrêter le moteur en bougeant le levier de l'étrangleur dans la position CHOKE

Vider et rincer votre pompe à eau

1. Débranchez et videz le tuyau de succion et de refoulement.
2. Enlevez le bouchon de drain au bas de la pompe.



3. Enlevez le bouchon de remplissage sur le dessus de la pompe et rincez les composantes internes de la pompe avec de l'eau claire.



4. Remettez les deux bouchons en place et serrez à la main.



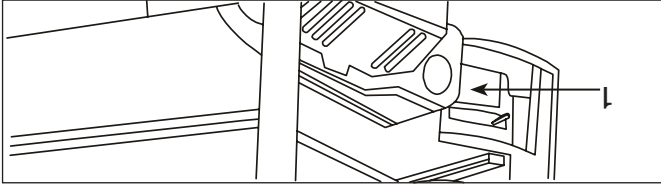
1-866-850-6662

Si vous avez besoin d'assistance avec l'assemblage ou l'opération de cette pompe à eau, s'il vous plaît appelez le

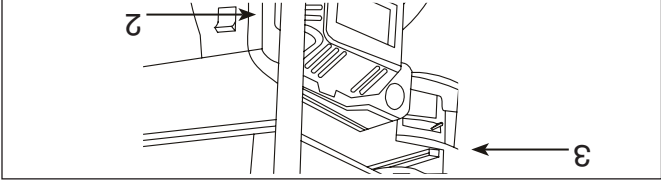
Démarrage de la pompe à eau

Utilisez les instructions de démarrage suivantes:

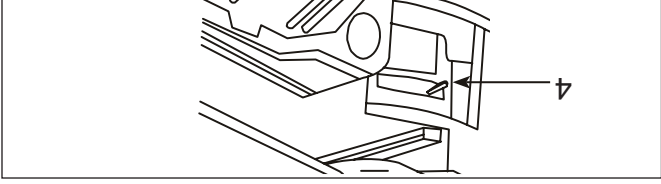
1. Assurez-vous que la pompe est sur une surface plane au niveau et que le réservoir est amorcé.
2. Tournez la valve (1) à la position « ON ». La valve d'essence va être à la verticale (pointant vers le sol).



3. Appuyez l'interrupteur ON/OFF (2) à la position ON.
4. Déplacez le levier de vitesse du moteur (3) à LA POSITION "FAST" (rapide).



5. Déplacez l'étrangleur (4) à la position ON..



6. Agrippez la poignée de démarrage manuel et tirez jusqu'à ce que vous sentiez une légère résistance. Ensuite tirez rapidement sur la poignée pour surmonter la compression, prévenir le contre-coup et démarrer le moteur.

moteur.

ATTENTION

Le contre-coup du cordon du démarreur (rétraction rapide) peut infliger des blessures corporelles. Le contre-coup tirera la main ou le bras de l'opérateur vers le moteur plus rapidement que l'on ne peut relâcher le cordon.
Des os cassés, des fractures, des blessures, ou des foulures peuvent en résulter.

- Lors de la mise en marche du moteur, tirez le cordon du démarreur lentement jusqu'à ce qu'une résistance soit ressentie et puis tirez rapidement pour éviter un contre-coup.
- Immobiliser le tuyau de refoulement pour éviter les coups de fouet.

IMPORTANT: Si une trop grande quantité d'essence est présente dans l'air ou le mélange à essence causant un effet d'étouffement, bougez le levier de l'étrangleur à la position RUN et tirez sur la poignée à répétition jusqu'à ce que le moteur démarre

7. Bougez le levier de l'étrangleur à la position RUN petit à petit durant une période de plusieurs secondes lors d'une température chaude ou quelques minutes durant un temps froid. Laissez le moteur tourner doucement avant chaque changement. Utilisez avec l'étrangleur sur la position RUN.

IMPORTANT: Cela peut prendre plusieurs minutes pour que la pompe commence à pomper l'eau.

ATTENTION

Le contact avec le silencieux peut résulter en de sérieuses brûlures.

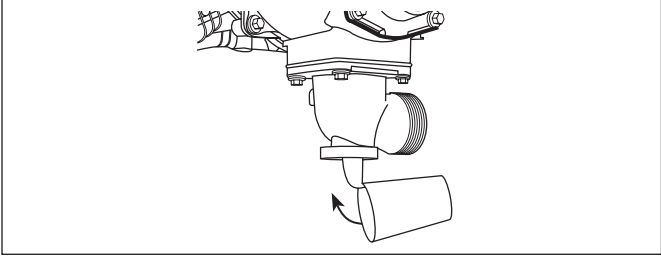
La chaleur/gaz du pot d'échappement peut enflammer des combustibles, des structures ou endommager le réservoir d'essence et entraîner un feu.

- NE touchez PAS des pièces chaudes et EVITER les gaz chaud du pot d'échappement.
- Laissez la machine refroidir avant de lui toucher.
- Gardez au moins 5 pieds (1,5 m) d'espace de tous les côtés de la lavuse à pression incluant le dessus de la machine.

L'efficacité de la pompe est contrôlée par la vitesse du moteur. Bouger le levier de vitesse du moteur dans la direction de FAST va augmenter l'efficacité de la pompe et bouger le levier de vitesse vers SLOW va diminuer l'efficacité de la pompe.

Amorcer la pompe à eau

1. Enlever le bouchon de remplissage du dessus de la pompe.
2. Remplissez la pompe d'eau propre, claire jusqu'au haut de la sortie de refoulement.
3. Remettre le bouchon de remplissage.



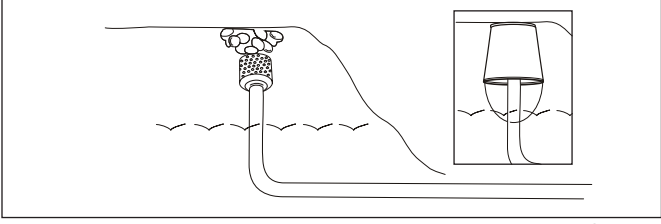
AVIS

Une mauvaise utilisation de la pompe à eau peut l'endommager et raccourcir sa durée de vie.

- Soyez sûr que le réservoir est rempli d'eau avant le démarrage du moteur.
- NE JAMAIS utiliser la pompe sans l'amorcer.

Placer le panier-filtre dans la source d'eau

Placer le panier-filtre dans l'eau à pomper. Le panier doit être complètement submergé.



AVIS

Une mauvaise utilisation de la pompe à eau peut l'endommager et raccourcir sa durée de vie.

- N'utilisez jamais la pompe sans que le panier-filtre soit connecté à la fin du boyau de suction.
- Garder le panier-filtre loin du sable ou de la vase, placer dans une chaudière ou sur des cailloux.
- Ne laisser pas la pompe fonctionner à sec ou les scellant pourrait s'endommager.

ATTENTION

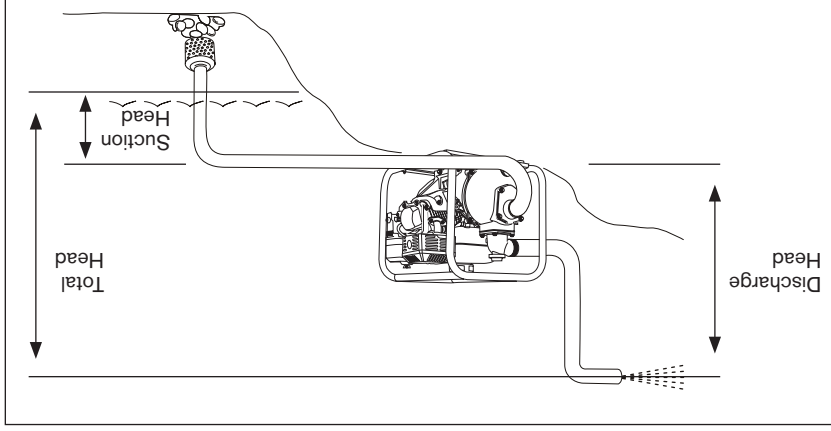


Le carburant et ses vapeurs sont extrêmement inflammables et explosives.

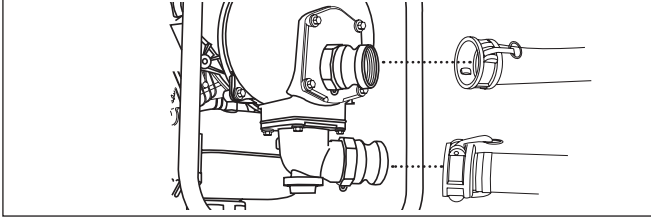


Un feu ou une explosion peut entraîner des brûlures sévères ou la mort.

- Cette pompe à eau ne doit pas être utilisée sur des équipements mobile ou nautique.
- NE PAS incliner le moteur ou la machine en angle ce qui pourrait faire renverser l'essence.
- Arrimer la pompe correctement. La charge du tuyau peut faire basculer la machine



Raccordez le tuyau de décharge (Optionnel)
 Si désiré, utiliser un tuyau disponible en magasin. NE PAS utiliser un tuyau avec un diamètre interne plus petit que le port de sortie de refoulement de la pompe.



Qu'est que la "pression de tête"
 La pression de tête fait référence à la hauteur d'eau qui peut être portée par la décharge de la pompe.

La pression de tête de succion est la distance verticale entre la décharge de la pompe et la surface du liquide du côté de l'aspiration de la pompe. La pression atmosphérique de 14,7 PSI au niveau de la mer limite la pression de tête à moins de 26 pieds approximativement pour n'importe quelle pompe.

La pression de tête du refoulement est la distance verticale entre la décharge de la pompe et le point de refoulement, qui est la surface du liquide si le tuyau est submergé ou en train de pomper au fond d'un réservoir.

La pression de tête totale est la somme de la valeur de la pression de tête de la succion et celle du refoulement. À mesure que la colonne d'eau augmente, la performance diminue. Le longueur, le type et la grosseur du tuyau de la succion et de refoulement peuvent aussi grandement affecter le rendement de la pompe. Il est plus important que la charge de travail de la succion soit la moins élevée du travail total de pompage. Ceci va diminuer le temps d'amorçages et améliorera la performance de la pompe en augmentant la pression de tête du refoulement.

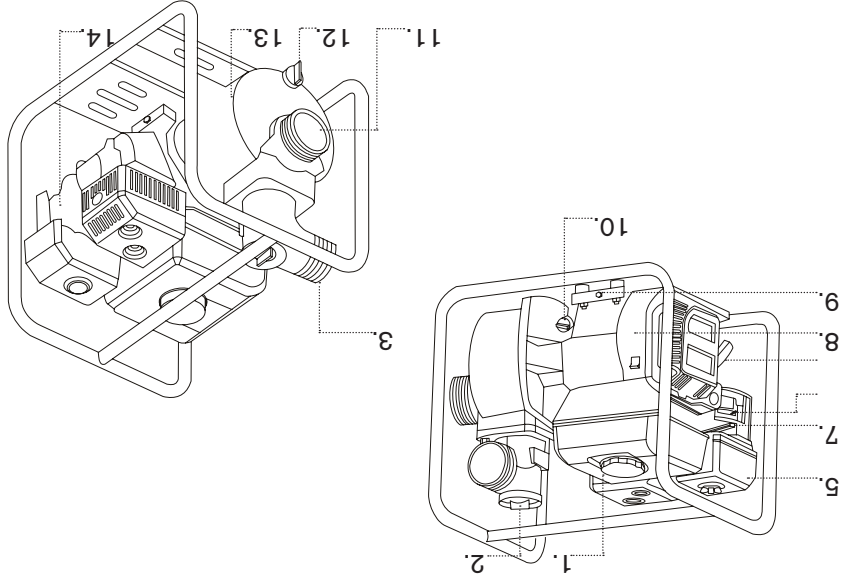
La pression de tête de la succion est de maximum 25 pieds et la pression de tête du refoulement devrait être à un maximum de 81 pieds. La pression de tête totale ne devrait pas dépasser plus de 106 pieds tel que montré à la prochaine page.

Installer la pompe à eau dans un endroit sécuritaire

Pour une meilleure performance, installez la pompe sur une surface plane, au niveau aussi près que possible de la source d'eau à pomper. Sécurisez la pompe à eau pour empêcher quelle ne renverse. Utilisez des tuyaux qui ne sont pas plus long que nécessaire.

IMPORTANT: Dirigez la sortie du tuyau de refoulement dans la direction opposé de votre maison, appareils électriques ou tout ce que vous ne désirez pas être mouillé.

Votre pompe peut différer de l'unité ci-dessus. Pour des informations spécifiques sur le modèle, veuillez visiter notre site Web:



1. Réservoir d'essence Remplissez le réservoir d'essence sans plomb. Allouez de l'espace en cas d'expansion de l'essence.

2. Bouchon de remplissage Remplissez la pompe avec de l'eau pour amorcer la pompe avant le démarrage.

3. Sortie de décharge Connecter le tuyau de décharge ici.

4. Levier d'étranglement Utilisez pour démarrer le moteur manuellement.

5. Filtre à air Protège le moteur en filtrant les poussières et débris dans la prise d'air.

6. Démarreur manuel Fais démarrer le moteur manuellement.

7. Levier d'accélérateur Ajuste la vitesse du moteur pour contrôler le débit de la pompe.

8. Commutateur de moteur Mettre l'interrupteur à « ON » avant d'utiliser le démarreur manuel. Mettre l'interrupteur à « OFF » pour arrêter un moteur en marche.

9. Drain d'huile Vide l'huile du moteur ici.

10. Remplissage d'huile Vérifiez et remplissez de l'huile ici.

11. Entrée de suction Raccorder le tuyau de suction renforcé ici.

12. Bouchon de vidange d'eau Enlever le bouchon afin de vider l'eau de la pompe et rincer l'intérieur avec de l'eau propre.

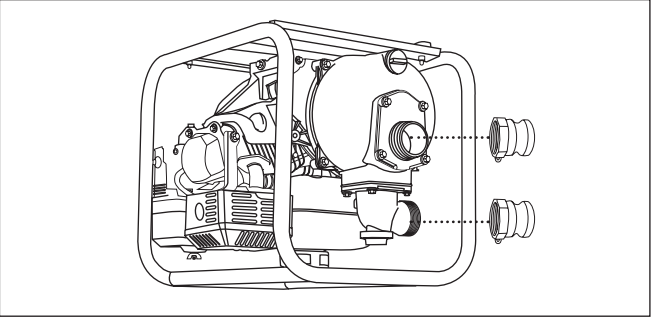
13. Réservoir de la pompe Assurez-vous de remplir avec de l'eau avant le démarrage.

14. Robinet d'essence ouvre et referme l'alimentation en essence du moteur.

Pièces non monté :

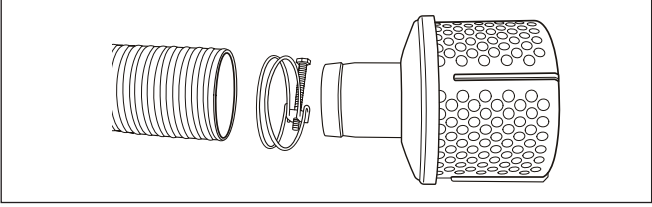
Panier-filtre limite le passage de matériaux abrasifs dans la pompe

Votre pompe exige de l'assemblage et peut être utilisée une fois qu'elle a été remplis avec l'huile et l'essence recommandée.



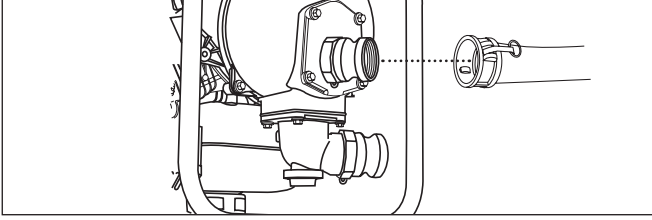
Raccorder le tuyau de suction à la pompe

1. Glissez le collier de serrage (A) Sur le bout du tuyau (B). Glissez le tuyau de suction sur raccord cannelé du tuyau (C). Serrez le collier fermement au tuyau.









Fixez le boyau de suction au panier-filtre



1. Glissez le collier de serrage sur le bout du tuyau. Branchez le l'autre bout du tuyau de suction sur le raccord cannelé du filtre. Serrez le collier fermement au tuyau.



AVERTISSEMENT	
<p>Une vitesse d'opération excessivement haute de la pompe à eau augmente les risques de blessures et endommage la pompe. Une vitesse d'opération excessivement basse impose une charge lourde.</p> <p>Ne modifiez pas la vitesse réglée.</p> <p>Ne laissez pas des gens non qualifiés ou des enfants utiliser ou desservir la pompe à eau.</p>	<p>Une mauvaise utilisation de la pompe à eau peut l'endommager et raccourcir sa durée de vie.</p> <p>Si vous avez des questions concernant l'utilisation prévue, consultez un détaillant ou contactez un détaillant autorisé le plus proche.</p> <p>Assurez-vous que le réservoir de la pompe est rempli d'eau avant de démarrer le moteur. Ne mettez jamais la pompe en marche sans l'amorcer.</p> <p>Utilisez un boyau rigide du côté de la suction du boyau.</p> <p>Utiliser la pompe selon l'utilisation prévue seulement.</p> <p>Le pompage d'eau de mer, de boissons, d'acides, de solutions chimiques, ou tout autre liquide qui encourage l'érosion peut endommager la pompe.</p> <p>Assurez-vous que toutes vos connexions sont étanches.</p> <p>N'obstruez pas le boyau de suction ou de refoulement d'aucune façon.</p> <p>N'utilisez jamais la pompe sans que le panier-filtre soit connecté à la fin du boyau de suction.</p> <p>Ne laissez jamais un automobiliste rouler sur le boyau. Si vous devez positionner un tuyau en travers d'une rue, placer une planche afin que l'automobiliste passe sans abîmer ou obstruer le boyau.</p> <p>Ancrez la pompe afin d'éviter qu'il bouge.</p> <p>Gardez l'équipement loin des bordures d'une rivière ou d'un lac où la rive pourrait s'affaisser.</p> <p>N'insérez pas d'objet dans les fentes de refroidissement.</p> <p>N'utilisez jamais la machine si elle est endommagée, qu'elle lui manque des pièces ou sans revêtement de protection.</p> <p>N'outrepassez pas les dispositifs de sécurité sur cette machine.</p> <p>N'essayez jamais de déplacer la machine en tirant sur le boyau.</p> <p>Utiliser le cadre de la machine.</p> <p>Vérifiez pour tout signe de détérioration ou de fuite du système d'alimentation, tel qu'un tuyau spongieux ou usé, fixation desserrée ou manquante, ou un réservoir/bouchon endommagé.</p> <p>Corriger toute défectuosité avant d'utiliser votre pompe.</p>
AVIS	

ATTENTION	
<p>Le contact avec le silencieux peut résulter en de sérieuses brûlures.</p> <p>La chaleur/gaz du pot d'échappement peut enflammer des combustibles, des structures ou endommager le réservoir d'essence et entraîner un feu</p>	<div style="display: flex; justify-content: space-around;">   </div>
<p>Lors de la mise en marche du moteur, tirez le cordon du démarreur lentement jusqu'à ce qu'une résistance soit ressentie et puis tirez rapidement pour éviter un contre-coup.</p> <p>Immobiliser le tuyau de refoulement pour éviter les coups de fouet.</p>	<p>Le contact avec le silencieux peut résulter en de sérieuses brûlures.</p> <p>La chaleur/gaz du pot d'échappement peut enflammer des combustibles, des structures ou endommager le réservoir d'essence et entraîner un feu</p>
ATTENTION	
<p>Le contre-coup du cordon du démarreur (rétraction rapide) peut infliger des blessures corporelles. Le contre-coup tirera la main ou le bras de l'opérateur vers le moteur plus rapidement que l'on ne peut relâcher le cordon.</p> <p>Des os cassés, des fractures, des blessures, ou des foulures peuvent en résulter.</p> <p>Garder les mains et le corps éloignés du renvoi de la pompe.</p>	
<p>NE touchez PAS des pièces chaudes et EVITER les gaz chaud du pot d'échappement.</p> <p>Laissez la machine refroidir avant de lui toucher.</p> <p>Gardez au moins 5 pieds (1,5 m) d'espace de tous les côtés de la Pompe incluant le dessus de la machine.</p>	
ATTENTION	
<p>NE JAMAIS mettre les mains ou une partie du corps à l'intérieur de la pompe ou du tuyau s'ils sont en état de marche.</p> <p>NE JAMAIS utiliser la pompe à eau sans revêtement de protection approprié.</p> <p>Ne portez pas de vêtements amples, bijoux ou tout autres pièces rotatives qui pourraient se prendre dans le démarreur ou d'autres pièces accessoires de la machine.</p> <p>Si vous avez les cheveux longs, attachez-les et enlevez vos bijoux.</p>	<p>Vos mains, cheveux, vêtements, ou accessoires peuvent s'enchevêtrer dans le démarreur et d'autres pièces tournantes de la machine.</p>

ATTENTION 	
<p>Un moteur en marche produit du monoxyde de carbone, un gaz poison qui est inodore et incolore.</p> <p>L'inhalation du monoxyde de carbone peut entraîner des maux de tête, de la fatigue, de l'étourdissement, des vomissements, de la confusion, une crise, la nausée, une perte de conscience ou la mort.</p>	
<p>Utilisez la pompe à l'eau à l'extérieur seulement.</p> <p>Ne laissez pas les gaz s'introduire dans des espaces restreint par les fenêtres, les portes, les entrées de ventilation ou toute autre entrée.</p> <p>NE PAS démarrer ou laisser le moteur en marche à l'intérieur ou dans un endroit clos, même si les fenêtres et les portes sont ouvertes.</p>	
ATTENTION 	
<p>L'emploi d'une pompe à eau peut créer des flaques et des surfaces glissantes.</p>	
<p>Utilisez la pompe à eau sur une surface ferme.</p> <p>La zone d'utilisation devrait posséder des inclinaisons adéquates et un drainage pour réduire la possibilité de chute due aux surfaces glissantes.</p>	
ATTENTION 	
<p>Des étincelles involontaires peuvent entraîner un feu ou une décharge électrique.</p>	
<p>Lors d'ajustement ou de réparation de votre pompe à eau</p> <p>Débranchez le cordon de la bougie d'allumage et placez le pour qu'il ne puisse pas entrer en contact avec la bougie d'allumage.</p> <p>Utilisez un testeur de bougie approuvé</p> <p>Ne pas tester le moteur si la bougie a été enlevée</p>	


ATTENTION 	
<p>Fuel and its vapors are extremely flammable and explosive.</p> <p>Fire or explosion can cause severe burns or death.</p>	
<p>Remplissage ou vidange de l'essence</p> <p>Arrêtez la pompe à eau et laissez la refroidir pendant un minimum de 2 minutes avant d'enlever le bouchon d'essence. Desserrer le bouchon lentement pour relâcher la pression à l'intérieur du réservoir.</p> <p>Remplissez ou vidangez le réservoir d'essence à l'extérieur.</p> <p>Ne remplissez pas trop le réservoir. Allouez de l'espace en cas d'expansion de l'essence. Si l'essence se renverse, attendez jusqu'à ce qu'elle s'évapore avant de redémarrer le moteur.</p> <p>Gardez l'essence loin des étincelles, des flammes, d'une flamme d'allumage, de la chaleur, et autres sources inflammables.</p> <p>NE PAS fumer ou allumer une cigarette.</p>	
<p>Démarrage de l'équipement</p> <p>S'assurer que la bougie d'allumage, le silencieux, bouchon de carburant et le filtre à air sont en place.</p> <p>Ne démarrer pas le moteur si la bougie d'allumage n'est pas présente.</p>	
<p>Durant l'utilisation de l'équipement</p> <p>Ne pomperez pas de liquide inflammable tel que l'essence ou le mazout.</p> <p>Cette pompe à eau ne doit pas être utilisée sur des équipements mobile ou nautique.</p> <p>NE PAS incliner le moteur ou la machine en angle ce qui pourrait faire renverser l'essence.</p> <p>Arrêter la pompe correctement. La charge du boyau peut faire basculer la machine.</p>	
<p>Transport ou réparation de l'équipement</p> <p>Le réservoir devrait être vide ou la valve de carburant arrêté lorsque vous transporter/réparer la machine.</p> <p>Débranchez le fil de la bougie d'allumage.</p>	
<p>Entreposage d'essence ou d'équipement contenant du carburant dans le réservoir</p> <p>Entrezposez loin des fournaises, poêles, chauffe eau, sècheuse à linge, ou autres appareils contenant une flamme d'allumage ou autre source inflammable car elles pourraient enflammer les vapeurs d'essence.</p>	

Préserver ces instructions

Règles de sécurité



Voici le symbole d'alerte de sécurité. Il est utilisé pour vous prévenir de risques potentiels de blessure corporelle. Observer toutes les consignes de sécurité suivant ce symbole afin d'éviter des blessures éventuels ou la mort.

Le symbole d'alerte de sécurité () est utilisé avec un mot d'alerte (Danger, Avertissement, Attention), une illustration et/ou un message de sécurité pour vous avertir de danger.

DANGER indique un risque entraînant de grave blessure voir la mort s'il n'est pas évité.

ATTENTION indique un risque pouvant entraîner de grave blessure voir la mort s'il n'est pas évité.

AVERTISSEMENT indique un risque qui pourrait entraîner des blessures mineures à moyennes s'il n'est pas évité.

AVIS indique une situation qui pourrait résulter des bris matériels. Veuillez suivre les messages de sécurité afin d'éviter ou de réduire les dangers potentielles de blessure ou de mort.

Symboles de danger et leurs significations



Enregistrement du numéro d'identification

Enregistrement du numéro d'identification

Si vous devez contacter un distributeur autorisé ou la ligne de service aux consommateurs pour informations ou services, toujours fournir le numéro de modèle du produit et les numéros d'identifications.

Vous devrez trouver le numéro de modèle et le numéro de série pour la machine et l'inscrire à l'endroit fourni ici-bas.

Date d'achat:

Nom du distributeur:

Numéro de téléphone du distributeur:

Numéros d'identifications du produit

Numéro de modèle:

Numéro de série:

Moteur

Cheval-vapeur:

Attention: Lisez le manuel d'instruction en entier avant l'utilisation initial de votre pompe à eau.

Mode d'emploi du manuel d'utilisation

Le manuel d'utilisation est une partie importante de votre pompe à eau et devrait être lu consciencieusement avant l'utilisation initial. User de cet outil de référence aussi souvent que nécessaire pour s'assurer d'une sécurité adéquate et d'une prise en compte de toutes vos préoccupations. La lecture en profondeur du manuel d'utilisation vous aidera à éviter toute blessure corporelle ou bris matériel. L'information dans ce manuel vous offrira les outils les plus sécuritaire et effectif afin de nettoyer votre machine. En connaissant la meilleure façon d'utiliser cette machine vous serez également mieux disposé à montrer aux autres comment utiliser cet appareil.

Ce manuel contient des informations concernant la série complète de pompe à eau et vous guideras en commençant par la sécurité jusqu'au fonctionnement de votre machine. Vous pouvez vous référer au manuel en toute circonstance pour vous aider à déterminer certaine fonction d'utilisation spécifique, ranger le avec la machine en tout temps.

Introduction

- 4 Mode d'emploi du manuel d'utilisation
- 5 Pompe à eau
- 5 Moteur

Règle de Sécurité

- 6 Règles de sécurité
- 6 Compréhension des étiquettes de sécurité de la machine
- 11 Description des pièces

Composantes de la pompe à eau

- 12 Raccorder le tuyau de suction à la pompe
- 12 Fixer le boyau de suction au panier-filtre
- 12 Raccorder le tuyau de décharge

Assemblage

- 14 Qu'est que la "pression de tête"
- 14 Installer la pompe à eau dans un endroit sécuritaire
- 15 Amorcer la pompe à eau
- 16 Placer le panier-filtre dans la source d'eau
- 17 Démarrer votre pompe à eau

Démarrage de la pompe à eau

- 19 Arrêter votre pompe à eau
- 19 Vidier et rincer votre pompe à eau

Arrêt de la pompe à eau

Guide de l'utilisateur

**POMPE EN NYLON POUR
PRODUIT CHIMIQUE**

POMPE DE VIDANGE

**POMPE DE
TRANSFERT D'EAU**

