

user instructions

711 HULMAN STREET
 PO BOX 2128
 TERRE HAUTE, IN 47802
 812-235-6167
 FAX 812-234-6975

Instruction Notes for Glow-Box Models 108A GB11-8; 108A GB11-17 and 108A GB11-36

GLOW-BOX has been carefully designed to provide maximum convenience to its user. Your comments and suggestions relative to its use, its design or to these instructions will be appreciated.

TO PROTECT THE COVER PLATE:

The GLOW-BOX cover plate is tough, translucent acrylic sheet. Never use sharp tools such as razor blades, knives, etc on the acrylic cover plate. If your work requires you use such tools, you can protect the acrylic cover by mounting a glass plate over it (1).

TO USE GLOW-BOX IN A DESK DRAWER:

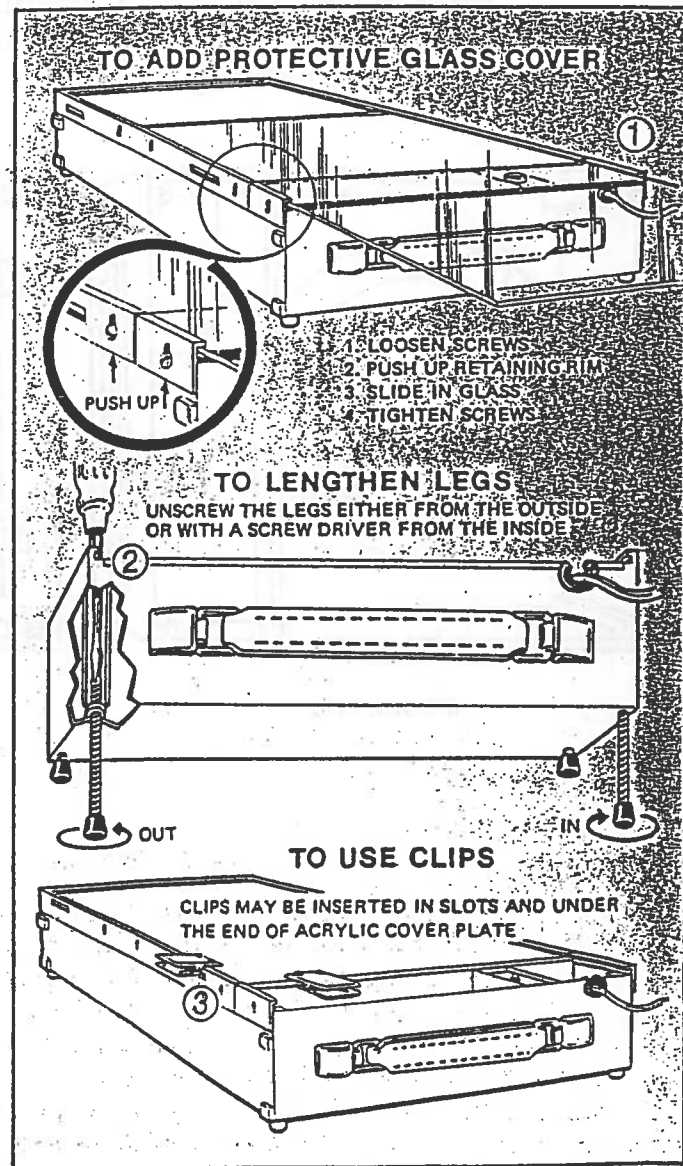
The two smaller GLOW-BOX models were designed so that they fit into a standard 12" wide desk drawer for use or storage. If you plan to use your GLOW-BOX in a desk drawer and you want the top of the GLOW-BOX to be flush with the top of the drawer, you can adjust the height of the GLOW-BOX by lengthening the legs. This is easily done by turning the slotted tops of the legs with a screwdriver (2) (after sliding back the cover plate).

TO USE GLOW-BOX ON THE BENCHTOP:

For table or bench use, you may want to use GLOW-BOX in an inclined position. This is easy – simply lengthen the threaded legs along one side only.

TO ATTACH PAPER, FILM, ETC:

Use clips (not included) inserted into the openings along three sides of the GLOW-BOX (3). You can also use the clips along the 11" side adjacent to the "clip and pencil tray" compartment. If you are using a clip with a flat jaw, the flat jaw can be forced under the Plexiglass.



TO REDUCE LIGHT INTENSITY:

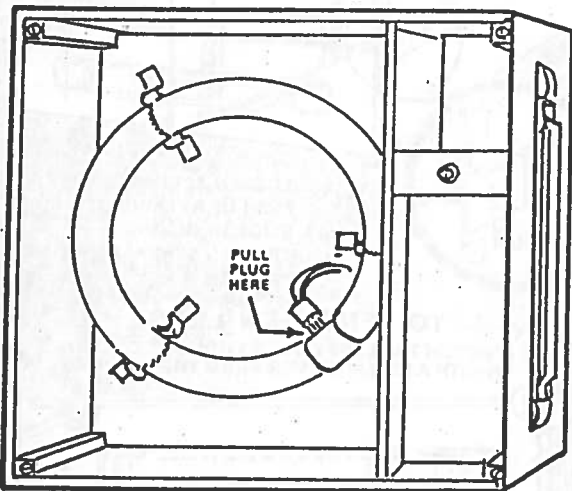
There are several ways to reduce light output from the GLOW-BOX: place onion-skin or plain paper on top of the cover plate or between the acrylic cover plate and the protective glass cover.

REPLACEMENT BULBS:

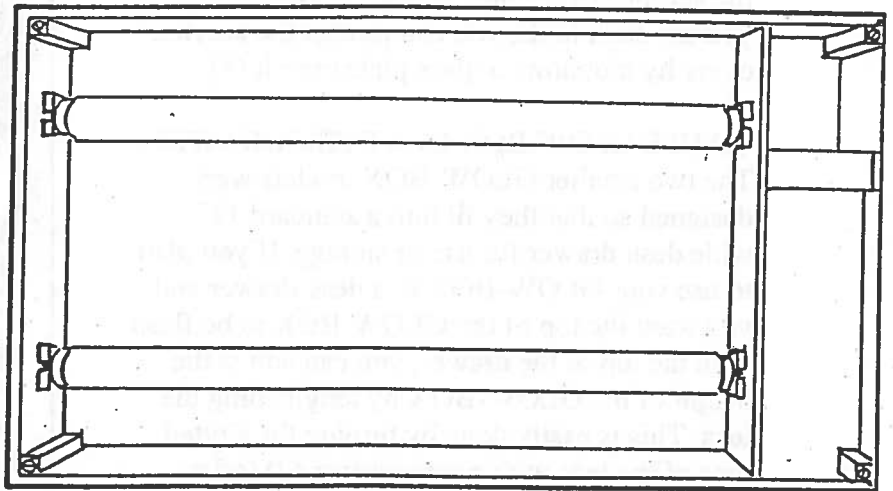
<u>Glow-Box#</u>	<u>Description</u>	<u>Glas-Col p/n</u>
108A GB11-8	22W Circle Bulb (1 per unit)	R60 603
108A GB11-17	15W Straight Bulb (2 per unit)	Contact the factory
108A GB11-36	30W Straight Bulb (2 per unit)	Contact the factory

TO REPLACE THE FLOURESCENT BULB:

First, be sure to disconnect the line cord; then lift or slide off the cover plate, and the lamps are easily accessible. Incidentally, flickering sometimes happens with new bulbs – if a new lamp flickers, try turning it around 180 degrees or turn it lengthwise. This usually cures flickering.



MODEL 11-8



MODELS 11-17 & 11-36

Limited Warranty

Glas-Col warrants products of its manufacture to be free from defects in material and workmanship for three years and agrees to repair or replace without charge any products found defective upon examination at the factory. With proper care and operation, Glas-Col products will give long and efficient service. Chemical spillage, overheating, overloading and general misuse will greatly reduce the service life. Glas-Col is not responsible for damage due to apparatus due to improper installation or through attempts to operate the apparatus beyond its rated capacity, intentional or otherwise. Normally expendable parts are not covered by this warranty.

LIMITATION OF WARRANTIES

APART FROM SUCH WRITTEN STATEMENT OF WARRANTY, THERE ARE NO WARRANTIES, EXPRESSED, IMPLIED OR STATUTORY, WHICH EXTEND BEYOND THE DESCRIPTION OF THE PRODUCTS ON THE FACE HEREOF.

Glas-Col products are intended only for legal and legitimate purposes in commercial and industrial settings.

Glas-Col reserves the right to make product refinements without prior notice.

Glas-Col, LLC

711 Hulman Street, P.O. Box 2128, Terre Haute, IN 47802-0128

Phone. (812) 235-6167, Fax. (812) 234-6975

E-mail: pinnacle@glascol.com

Web: www.glascol.com

