

## 36E Series Heavy-Duty All-Purpose Hot Top Range

Project \_\_\_\_\_  
 Item \_\_\_\_\_  
 Quantity \_\_\_\_\_  
 CSI Section 11400  
 Approved \_\_\_\_\_  
 Date \_\_\_\_\_

### Models

- 36ER32
- 36ES32



Model 36ER32  
 All Purpose Top Range With  
 2 Sections, 3 heat zones

### Standard Features

- Stainless steel front and sides
- Stainless steel front rail
- 36" (914mm) all-purpose work top area controlled by 3 thermostats, 290°/650°F (143°/343°C)
- 5kW heater per every 12" width
- 3/4" (19mm) thick steel plate
- Front and rear grease troughs to catch excess grease and spillage. Drains into grease pans located under range top
- 3" (76mm) high stainless steel vent raiser
- Heat-resistant, cool-to-touch oven door handle
- Chrome-plated, 4-position removable rack guides w/oven rack
- Aluminized steel oven cavity.
- Two upper heaters (3kW total) and two lower heaters (3.5kW total).
- Separate power control for upper and lower heaters is provided plus overall oven thermostatic control.
- 6" (152mm) adjustable chrome-plated legs (NSF)
- 1-year limited parts & labor (USA & Canada)

### Options & Accessories

- Stainless steel main back (R&S models)
- Extra oven rack
- Swivel casters complete with front brakes (4)
- 6" (152mm) adjustable stainless steel legs
- High voltage 460V
- Marine equipment - storm rails for pots, hand rails, oven door latch, drip tray stop and deck fasteners

NOTE: Ranges supplied with casters must be installed with an approved restraining device.

### Specifications

Heavy-duty electric range Model 36ER32 with an all-purpose plate top with thermostatic control for cooking flexibility.

Welded 1/2" (13mm) high raised side lips.

Two top sections (one 12" (305mm) x 24" (610mm) plate & one 24" (610mm) x 24" (610mm) plate).

Full-size oven is controlled by a heavy-duty electromechanical thermostat.

Top has three thermostat-controlled heat zones each with a pilot lamp.

Oven interior is 13.5" (343mm) high x 26.25" (667mm) wide x 29" (533mm) deep with removable four-position chrome-plated rack guides and one oven rack, front and rear stainless steel grease troughs.

Stainless steel front and sides.

Circuit breakers or fuses provide electric circuit protection.

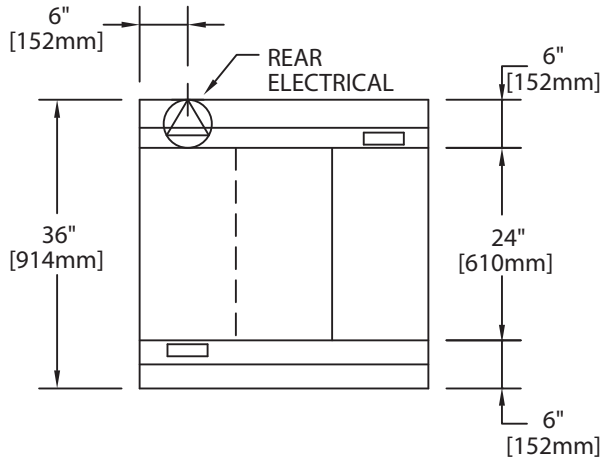
Available with casters or for dais mount.

Model 36ES32 has storage base in lieu of oven section.



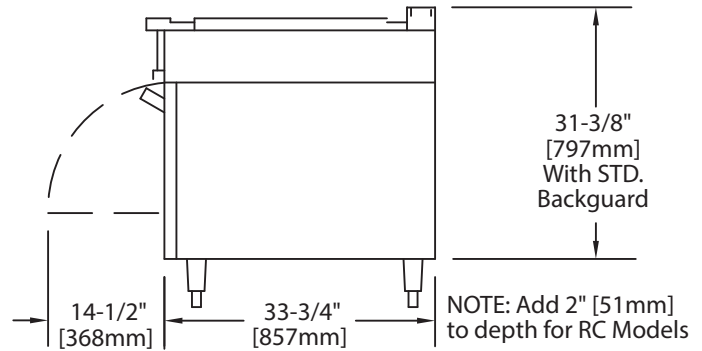
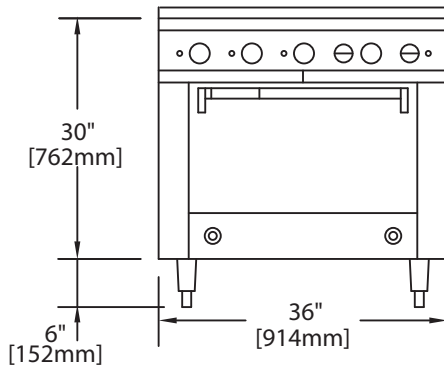
36E Series Heavy-Duty All-Purpose Hot Top Range

## 36E Series Heavy-Duty All-Purpose Hot Top Range



Garland products are not approved or authorized for home or residential use, but are intended for commercial applications only.

Garland will not provide service, warranty, maintenance or support of any kind other than in commercial applications.



MODEL	TOTAL KW	3-PHASE kW PER PHASE ALL VOLTAGES			NOMINAL AMPERES PER LINE											
					SINGLE PHASE			THREE PHASE								
		X-Y	Y-Z	X-Z	208V	240V	460V	208V			240V			460V		
36ER32	21.5	6.5	5	10	103	90	47	69	48	64	60	42	55	31	22	29
36ES32	15	5	5	5	72	63	33	42	42	42	36	36	36	19	19	19

Shipping Cubic Feet = 51

CLEARANCES			
ENTRY		TO COMBUSTIBLE WALL	
CRATED	UNCRATED	SIDES	REAR*
41-1/4" (1048mm)	36-1/4" (921mm)	3" (76mm)	1/2" (13mm)

Garland reserves the right to make changes to the design or specifications without prior notice.

Garland Commercial Ranges Ltd.  
1177 Kamato Road,  
Mississauga, Ontario  
L4W 1X4 CANADA

General Inquires 1-905-624-0260  
USA Sales, Parts and Service 1-800-424-2411  
Canadian Sales 1-888-442-7526  
Canada or USA Parts/Service 1-800-427-6668

[www.garland-group.com](http://www.garland-group.com)  
6817E  
11/25

