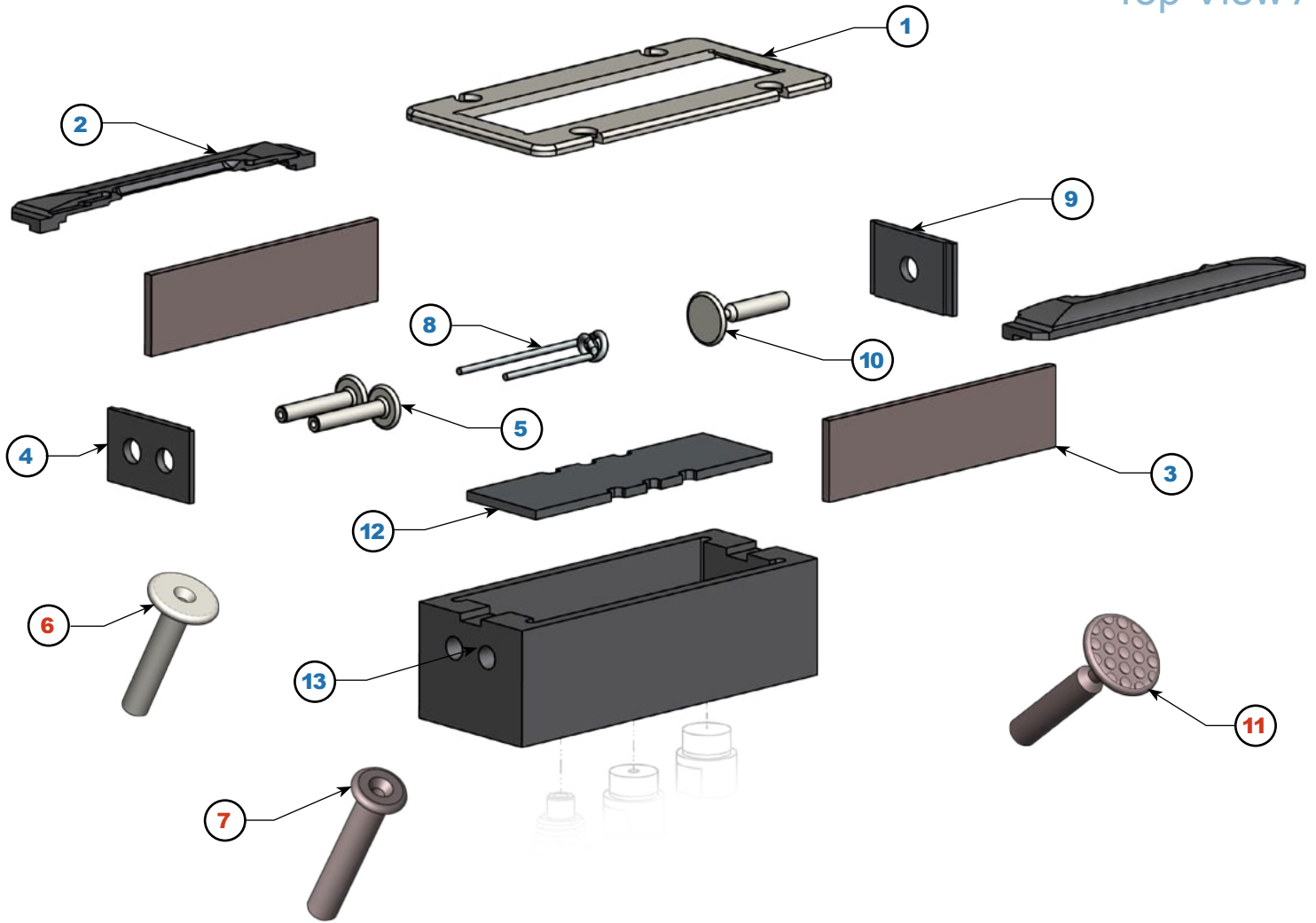
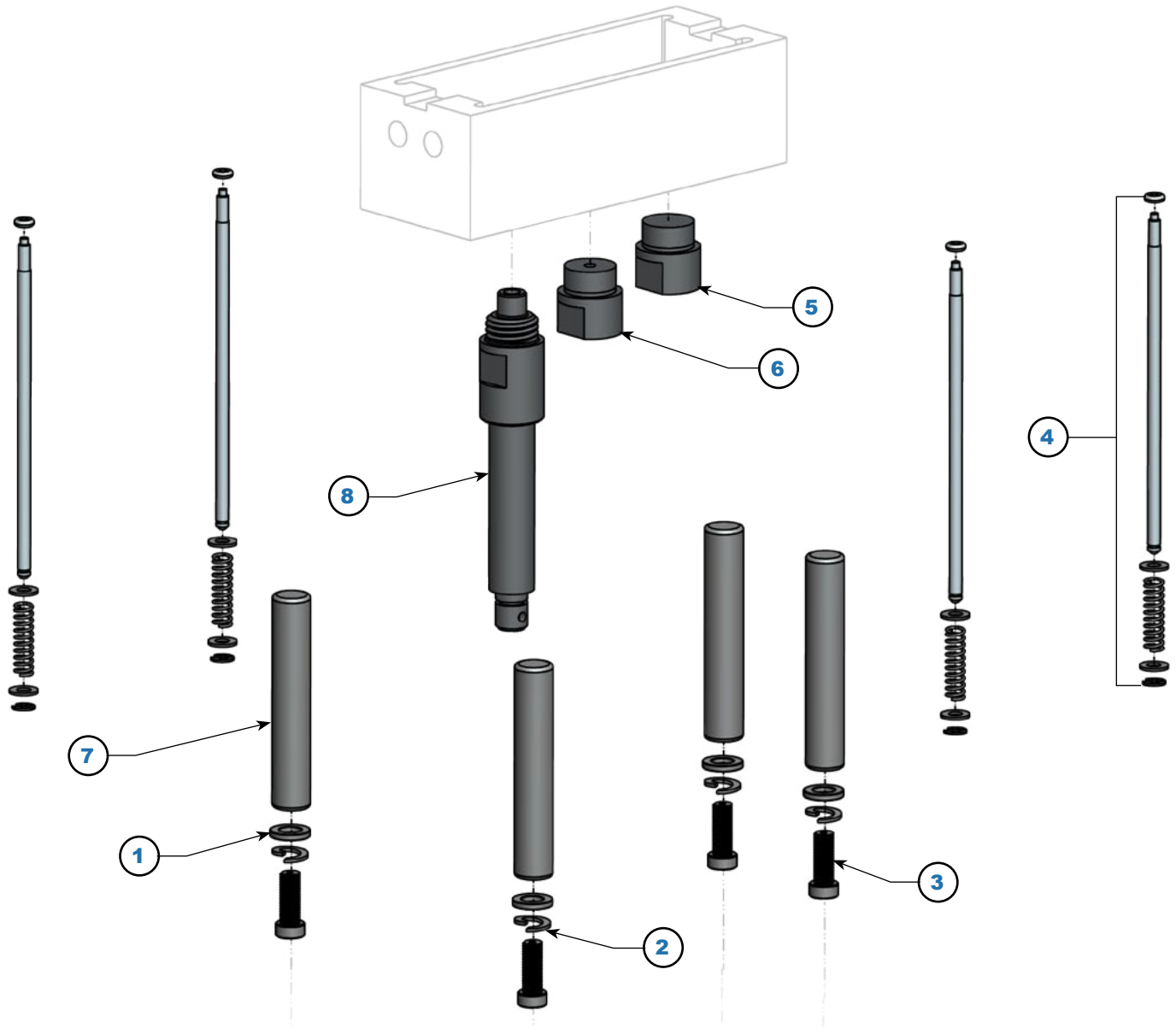


*\* Glemco offers improvements, modifications, or alternatives to standard OEM replacement components as indicated in red throughout this guide.*



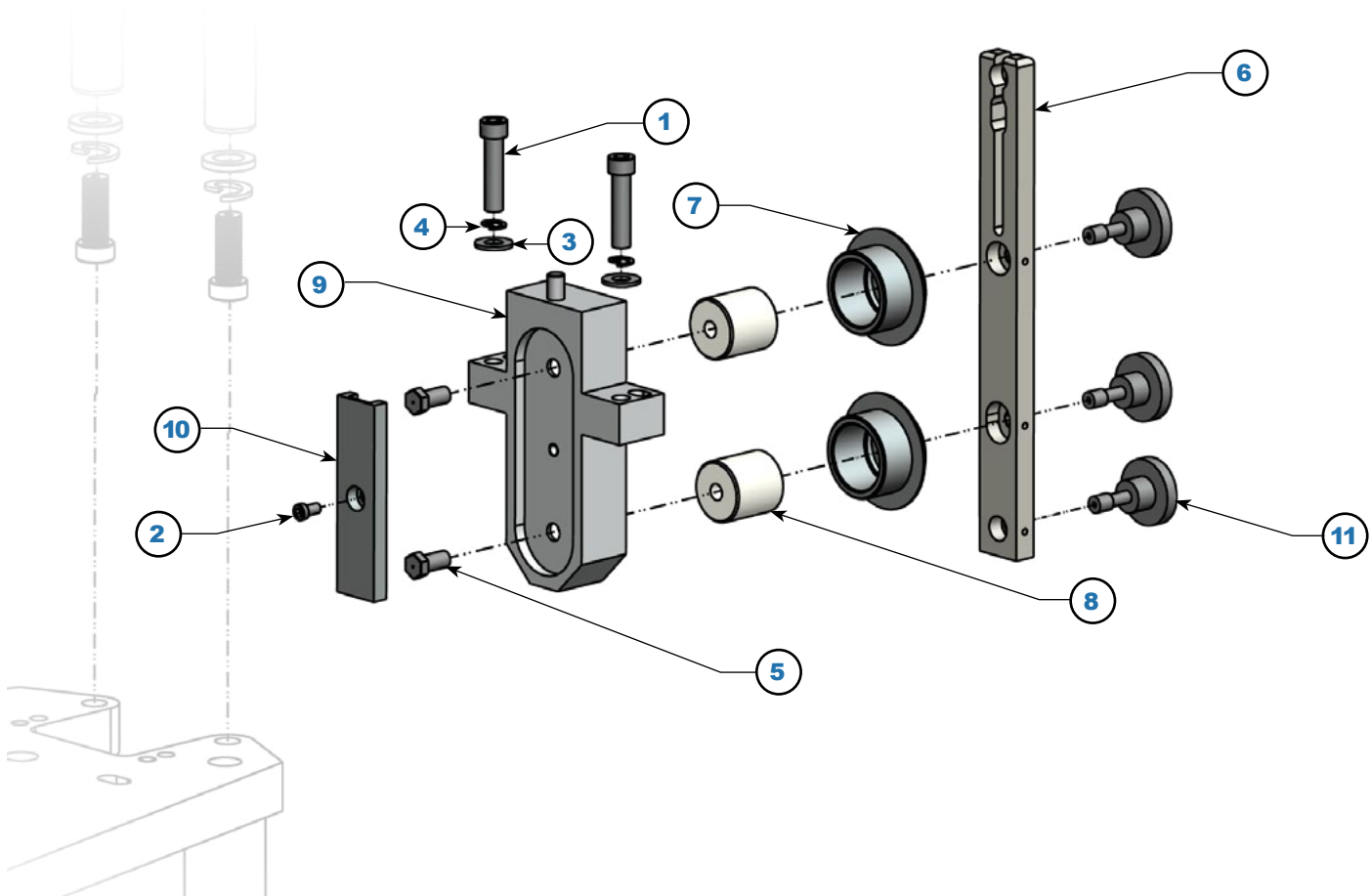
Item	P/N	Description	OEMs	Qty
1	90052	Retainer, Front Plate, Molybdenum	0020-98908	1
2	90053G	Front Plate Half, Graphite	0020-84219	2
3	90054	Liner, Side Plate, Tungsten	0020-81362	2
4	90055	Filament End Plate Liner, Graphite	0020-81364	1
5	90056	Filament Insert, Molybdenum	0020-98914	2
6	90056A	Filament Insert, Modified, Molybdenum	0020-82053	
7	90056W	Filament Insert, Modified, Tungsten	No OEM Reference	
8	90057	Filament	0020-82135	1
9	90058	Repeller End Liner Plate	0020-81365	1
10	90059	Anti-Cathode Repeller, Tungsten	0020-81482	1
11	90059A	Anti-Cathode Repeller - Anti-Flake, Tungsten	0020-81482	
12	90060	Base Plate Liner, Tungsten	0020-81363	1
13	90061-1	Arc Chamber Body, Graphite	0020-81224	1

\* Glemco offers improvements, modifications, or alternatives to standard OEM replacement components as indicated in red throughout this guide.



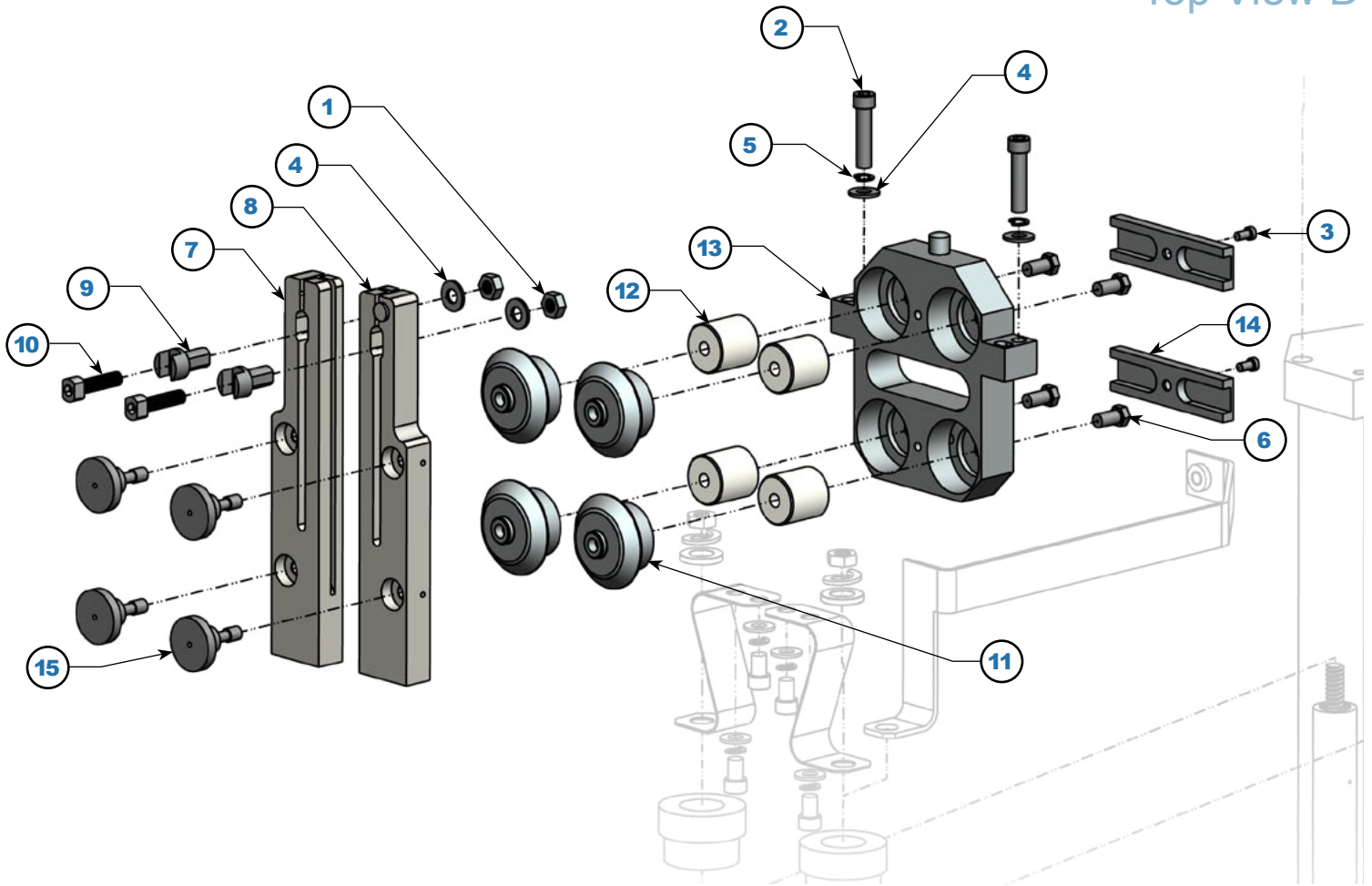
Item	P/N	Description	OEMs	Qty
1	82459	M6 Washer, Flat, SST	3880-90023	4
2	82460	M6 Spring Washer, SST	3880-90032	4
3	82712	SHCS, M6 1 x 20mm Vented, SST	3690-90837	4
4	90051	Retainer Pin Assembly	No OEM Reference	4
5	90061-2	Plug, Arc Chamber Port	No OEM Reference	1
6	90061-3	Port, Arc Chamber Oven	0020-81226	1
7	90073	Post	0020-98915	4
8	90334	Nozzle, (Anitmony)	0020-82163	1

\* Glemco offers improvements, modifications, or alternatives to standard OEM replacement components as indicated in red throughout this guide.



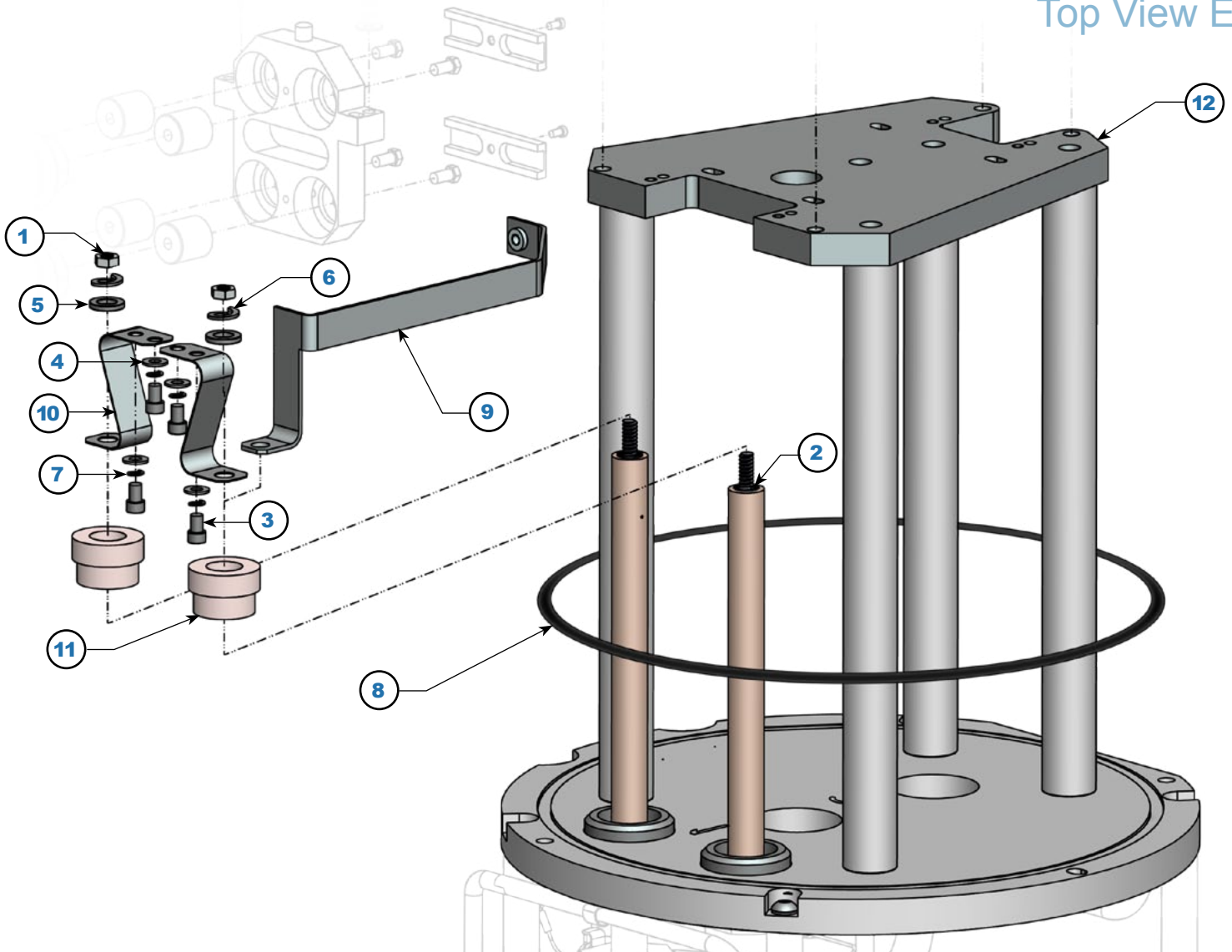
Item	P/N	Description	OEMs	Qty
1	82396	SHCS, M4 x 20 mm, .7 PITCH, SST	3690-90360	2
2	82402	SHCS, M3 X 6mm, .5 PITCH, SST	No OEM Reference	1
3	82457	M4 Washer, Flat, SST	3880-90021	2
4	82615	M4 Spring Washer, SST	No OEM Reference	2
5	82710	Vented Hex Head Screw, M4 x 6mm, SST	No OEM Reference	2
6	90068	Clamp, Anti-Cathode	0020-80070	1
7	90069	Insulator Shield	0020-98904	2
8	90070	Insulator	0020-97557	2
9	90071	Mounting Block Assembly, Anti-Cathode End	0020-98900	1
10	90091	Screw Retainer	0020-98920	1
11	90094	Thumb Screw	0020-98911	3

\* Glemco offers improvements, modifications, or alternatives to standard OEM replacement components as indicated in red throughout this guide.



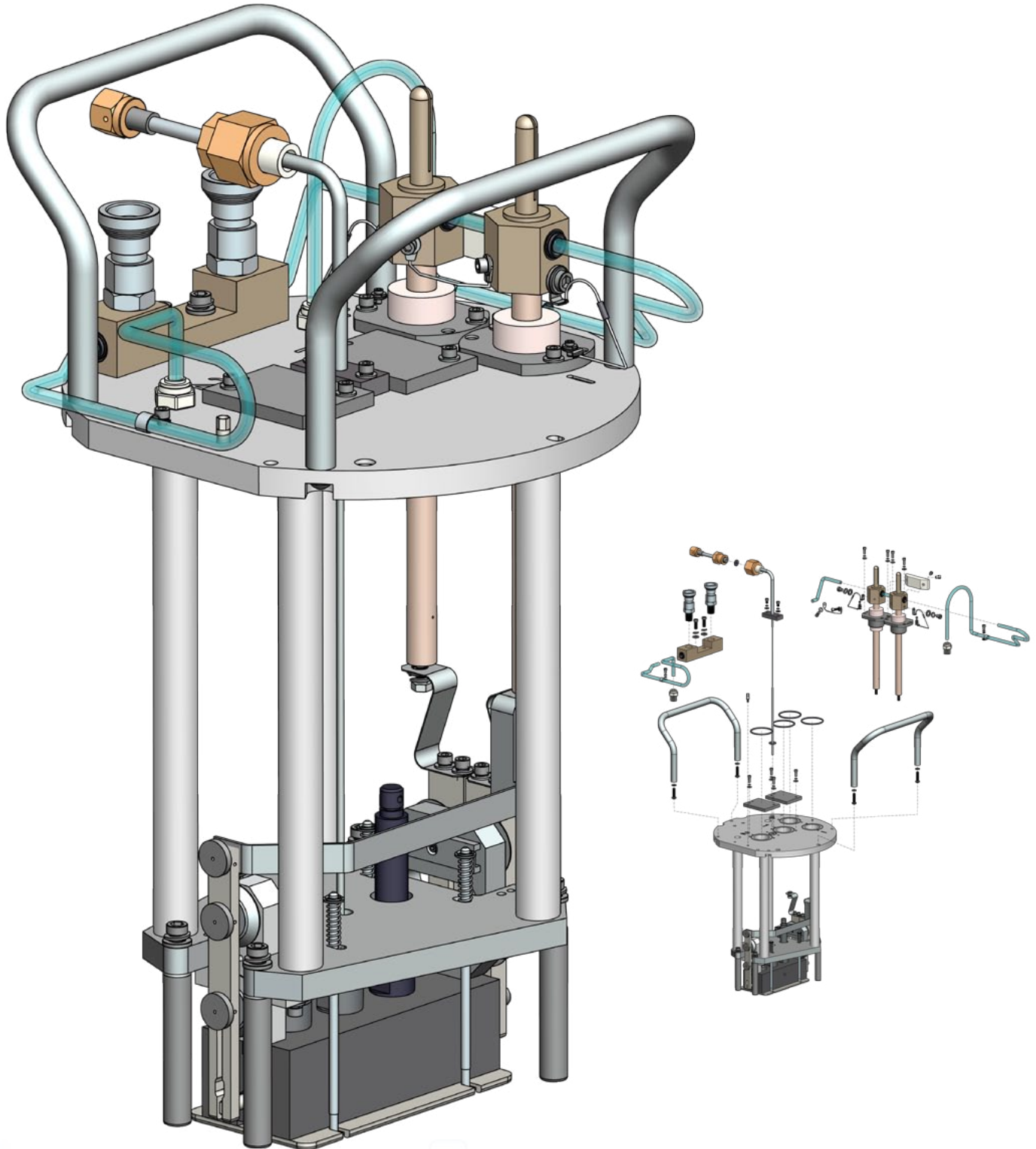
Item	P/N	Description	OEMs	Qty
1	82291	M4 Hex Nut	3500-90021	2
2	82396	SHCS, M4 x 20 mm, .7 PITCH, SST	3690-90360	2
3	82402	SHCS, M3 X 6mm, .5 PITCH, SST	No OEM Reference	2
4	82457	M4 Washer, Flat, SST	3880-90021	4
5	82615	M4 Spring Washer, SST	No OEM Reference	2
6	82710	Vented Hex Head Screw, M4 x 6mm, SST	No OEM Reference	4
7	90064	Positive Filament Clamp, Molybdenum	0020-81521, 0020-82131, 0020-81227	1
8	90065	Negative Filament Clamp, Molybdenum	0040-94187, 0040-94526, 0040-94018	1
9	90066	Filament Clamp Insert	0020-98580	2
10	90067	Filament Clamp Screw, SST	0020-98581	2
11	90069	Insulator Shield	0020-98904	4
12	90070	Insulator	0020-97557	4
13	90072	Mounting Block Assembly	00200-98899	1
14	90091	Screw Retainer	0020-98920	2
15	90094	Thumb Screw	0020-98911	4

\* Glemco offers improvements, modifications, or alternatives to standard OEM replacement components as indicated in red throughout this guide.



Item	P/N	Description	OEMs	Qty
1	82290	M6 Hex Nut	3500-90014	2
2	82341	Retaining Ring	No OEM Reference	2
3	82408	SHCS, Cap Screw, 8-32 x 1, Alloy	No OEM Reference	4
4	82457	M4 Flat Washer, SST	3880-90021	4
5	82459	M6 Flat Washer, SST	3880-90023	2
6	82460	M6 Spring Washer, SST	3880-90032	2
7	82615	M4 Spring Washer, SST	No OEM Reference	4
8	83072	O-Ring, -172, Buna N	No OEM Reference	1
9	90062	Anti-Cathode Ground Strap	0020-84898	1
10	90063	Filament Strap, Silver	0020-82741	2
11	90080	Feed-Thru Bushing	0020-94844	2
12	90084	Source Body	0040-94573	1

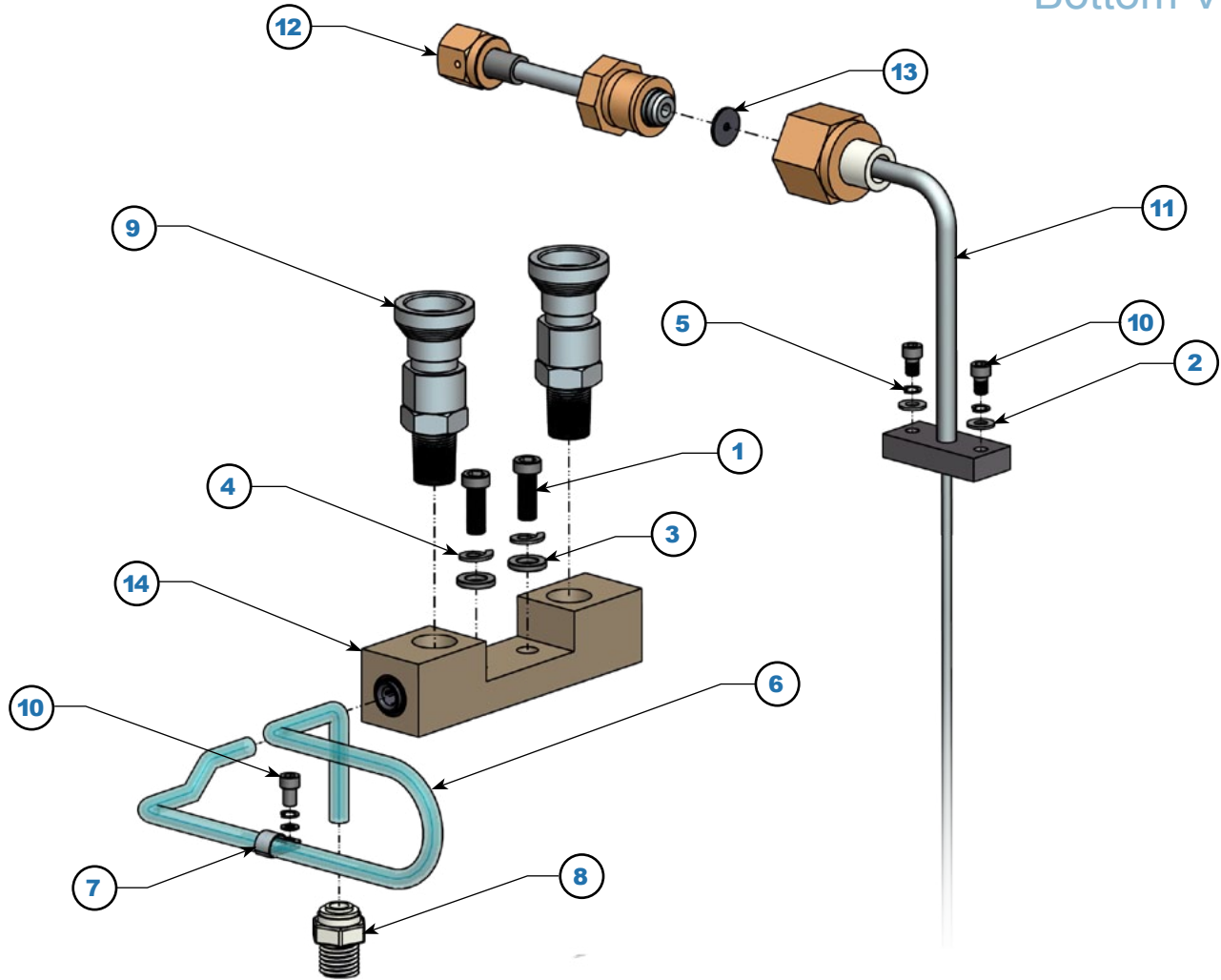
\* Glemco offers improvements, modifications, or alternatives to standard OEM replacement components as indicated in red throughout this guide.



*\* Glemco offers improvements, modifications, or alternatives to standard OEM replacement components as indicated in red throughout this guide.*

# Source Assembly

## Bottom View A

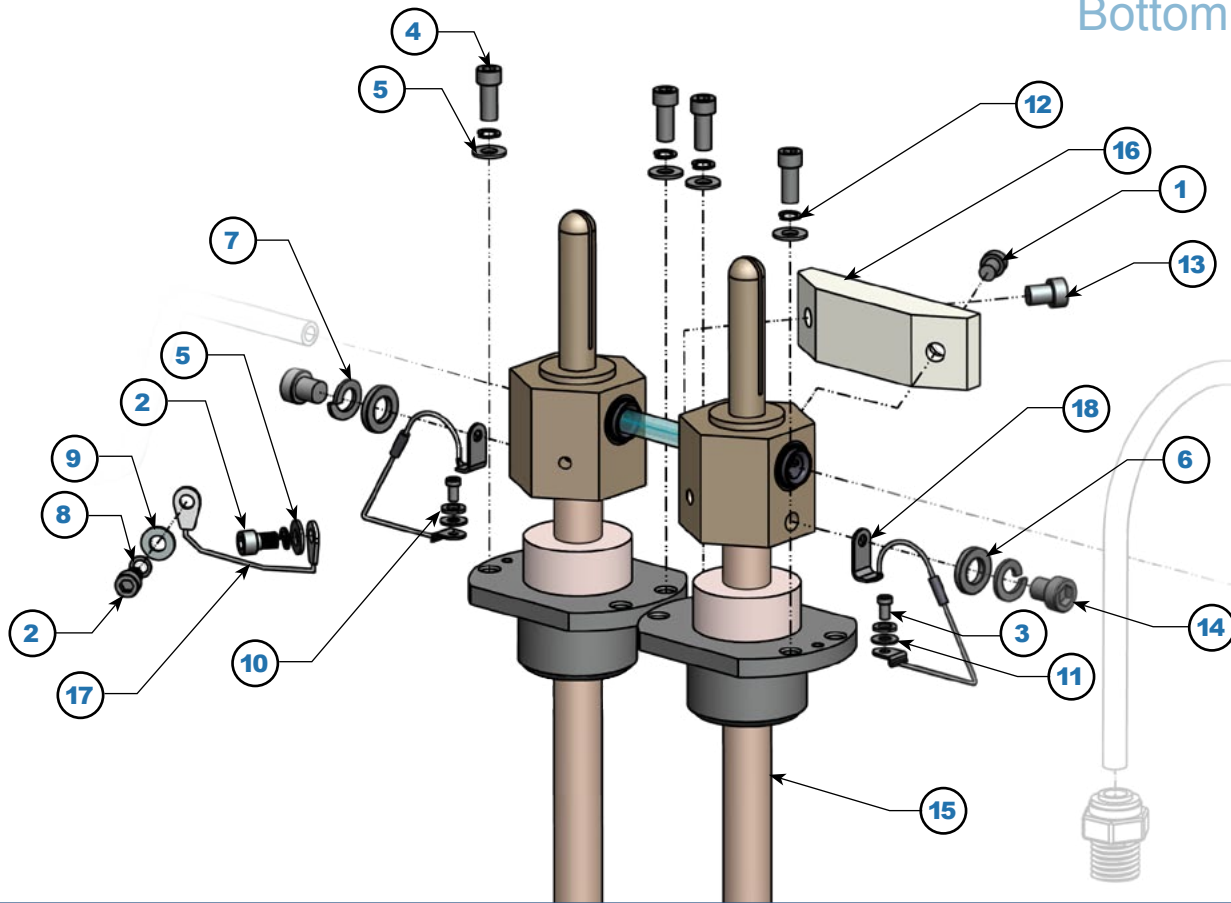


Item	P/N	Description	OEMs	Qty
1	82399	SHCS, M6 x 20 mm, .1 PITCH, SST	3690-90436	2
2	82457	M4 Flat Washer, SST	3880-90021	2
3	82459	M6 Flat Washer, SST	3880-90023	2
4	82460	M6 Spring Washer, SST	3880-90032	2
5	82615	Washer, Lock, M4 Regular Spring, 4.4 mm ID, 7.6 mm OD, 18-8 SST	No OEM Reference	4
6	82755	Tubing, Polyurethane, .25" OD x .16" ID.	No OEM Reference	As Needed
7	82756	Tubing Clamp, +1/4, Nylon	No OEM Reference	2
8	83683	1/4 Push Connect Tube Fitting, 1/4 Male NPTF Thread	No OEM Reference	2
9	83700	Quick Connect Body, 3/8-18 NPT No Key	No OEM Reference	2
10	84167	SHCS, M4 X 10MM, .7 Pitch, 18-8 SST	3690-90357	4
11	90074	Gas Feed Tube Assembly	No OEM Reference	1
12	90075	Gas Feed Tube Adapter Assembly	0040-93337	1
13	90076	Face Seal Washer	0020-96753	1
14	90078	Manifold Assembly, Brass	0040-93532	1

\* Glemco offers improvements, modifications, or alternatives to standard OEM replacement components as indicated in red throughout this guide.

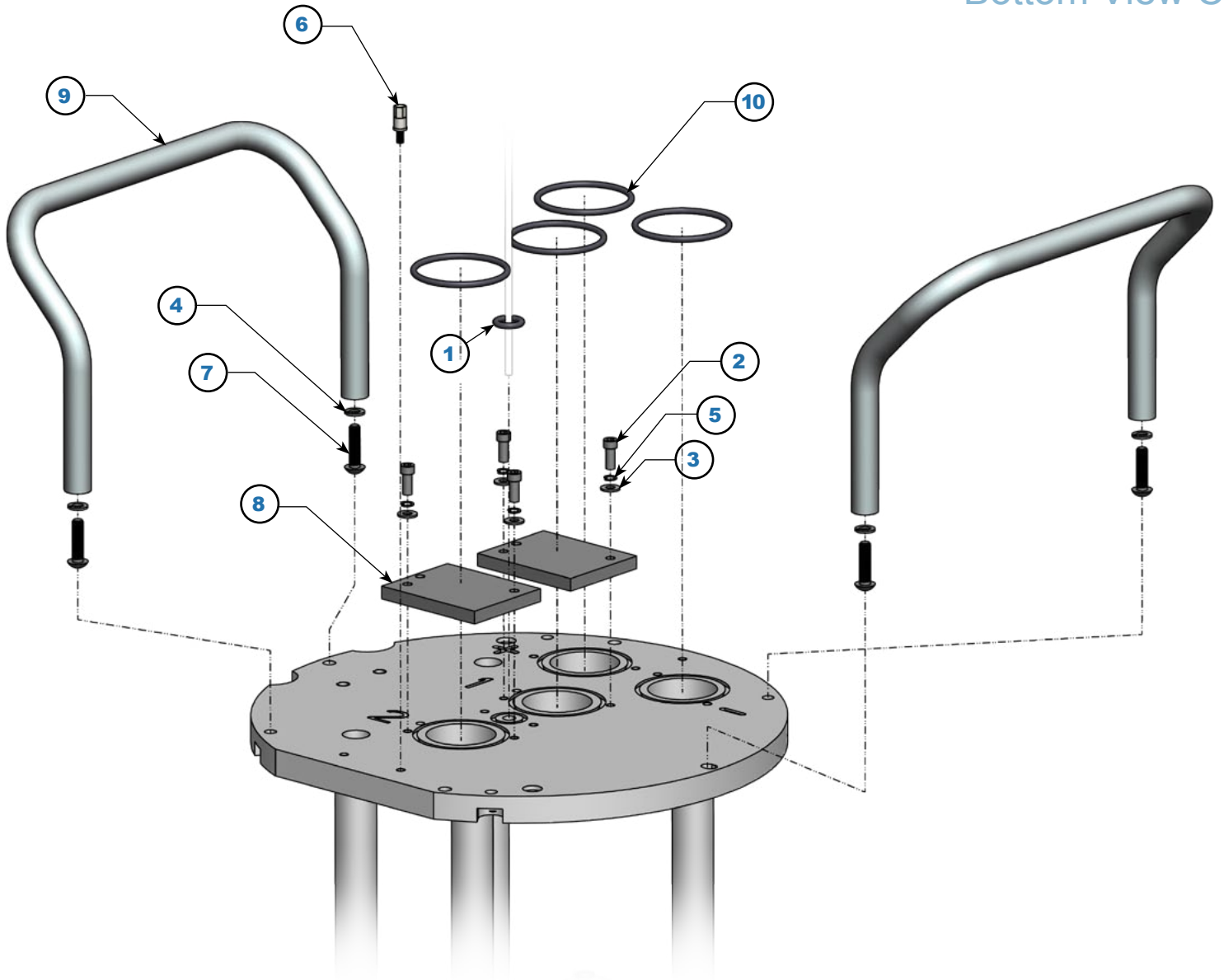
# Source Assembly

## Bottom View B



Item	P/N	Description	OEMs	Qty
1	82397	SHCS, M5 x 10 mm, .7 Pitch, SST	No OEM Reference	1
2	82398	SHCS, M4 x 8 mm, .7 PITCH, SST	3690-90826	2
3	82402	SHCS, M3 X 6mm, .5 pitch, 18-8 SST	No OEM Reference	2
4	82405	SHCS, M4 X 12mm, .7 pitch, 18-8 SST	3690-90358	4
5	82457	M4 Flat Washer, SST	3880-90021	5
6	82459	M6 Flat Washer, SST	3880-90023	2
7	82460	M6 Spring Washer, SST	3880-90032	2
8	82461	M5 Spring Washer, SST	3880-90031	1
9	82462	M5 Flat Washer, SST	3880-900221	1
10	82463	M3 Spring Washer, SST	3880-90029	2
11	82464	M3 Flat Washer, SST	No OEM Reference	2
12	82615	M4 Spring Washer, SST	No OEM Reference	4
13	84167	SHCS, M4 X 10MM, .7 Pitch, 18-8 SST	3690-90357	1
14	84207	SHCS, M6-1 X 10mm, 18-8 SST	3690-90433	2
15	90079A	Feed Thru Assembly	9900-92084, 3300-92084	2
16	90082	Feed-Thru Stabilizer, Derlin®	0020-98631	1
17	90092	No. 2 Diode Assembly	0150-90834	1
18	90093	No. 1 Diode Assembly	0150-90834	2

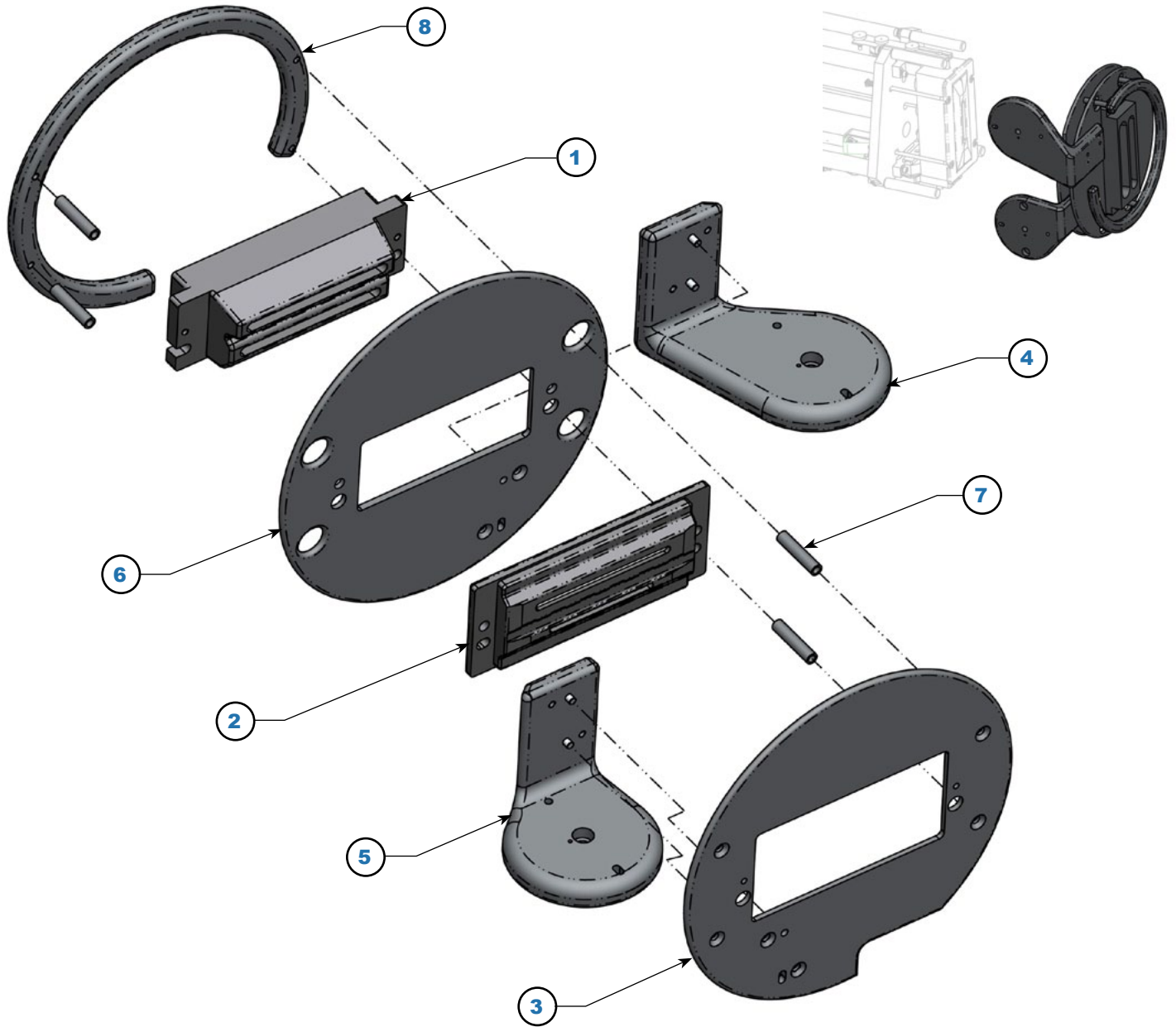
\* Glemco offers improvements, modifications, or alternatives to standard OEM replacement components as indicated in red throughout this guide.



Item	P/N	Description	OEMs	Qty
1	82203	O-Ring, -136, Buna-N	3500067	2
2	82405	SHCS, M4 X 12 mm, .7 PITCH, Cap Screw, 18-8 SST	3690-90358	4
3	82457	M4 Flat Washer, SST	3880-90021	4
4	82461	Washer, M5 Spring Lock Washer	3880-90031	4
5	82615	Washer, Lock, M4 Regular Spring 4.4 mm ID, 7.6 mm OD, 18-8 SST	No OEM Reference	4
6	83833	0.16 Banana Jack Adapter, 8-32	No OEM Reference	1
7	84168	BHSS, M5 X 20MM, .8 PITCH, 18-8 SST	No OEM Reference	4
8	90077	Vaporizer Blank-Off Plate, Aluminum	No OEM Reference	2
9	90083	Handle	0020-98907	2
10	83026V	O-Ring, -126, Viton®	3700-90183	4

\* Glemco offers improvements, modifications, or alternatives to standard OEM replacement components as indicated in red throughout this guide.

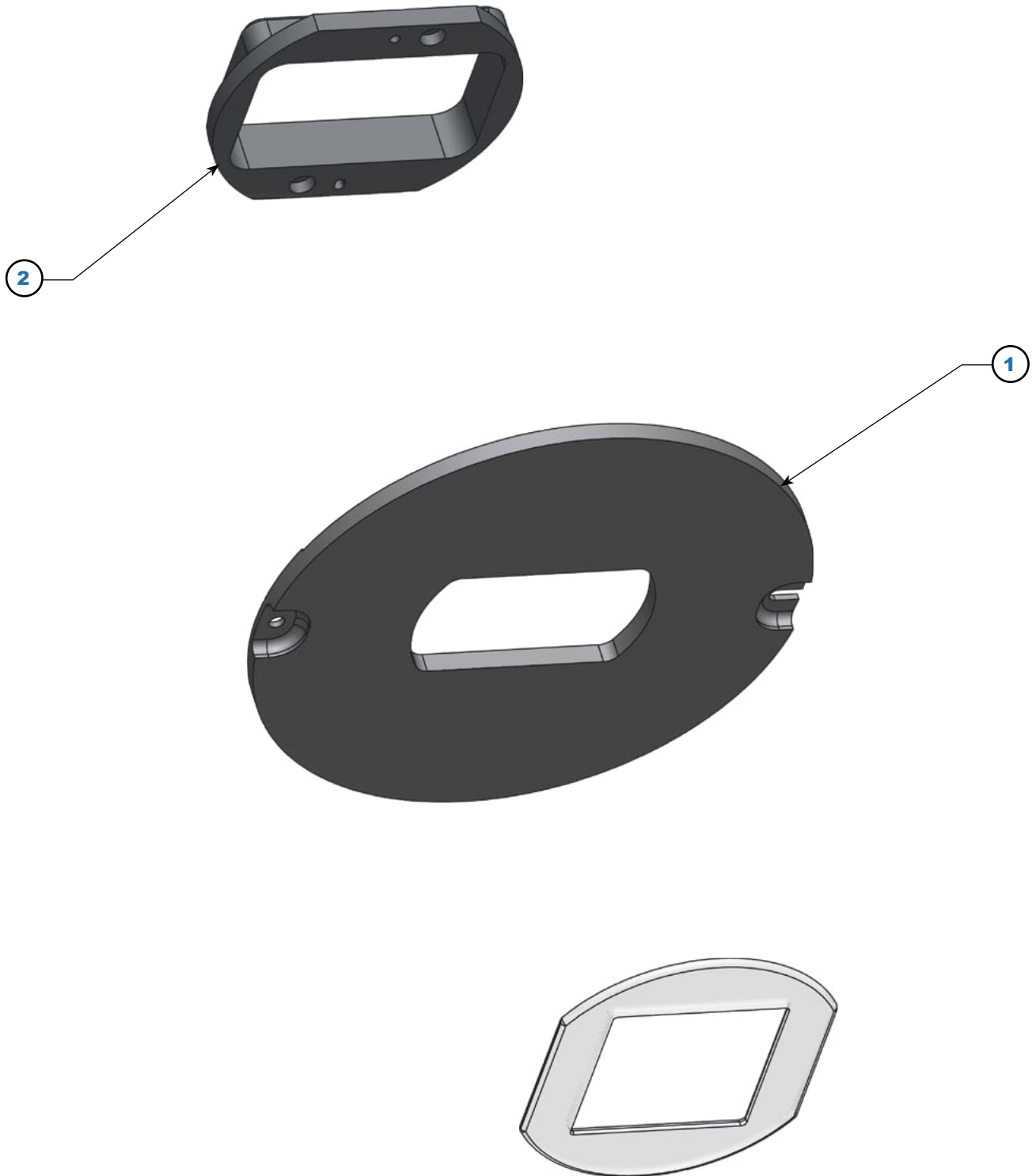
# Dual Bellows Extraction Assembly Components



Item	P/N	Description	OEMs	Qty
1	90130	Ground Electrode, Graphite	0020-83425	1
2	90131	Electrode Suppression, Graphite	0020-84523	1
3	90150	Mounting Suppression Electrode, Graphite	0020-83974	1
4	90154	Bracket, Ground Electrode Assembly, Graphite	0020-86640	1
5	90161	Suppression Electrode Bracket	0020-86641	1
6	90168	Mounting Ground Electrode, Graphite	0020-84522	1
7	90256	Spacer, Graphite	0020-83227	4
8	90261	Suppression Ring	0020-84055	1

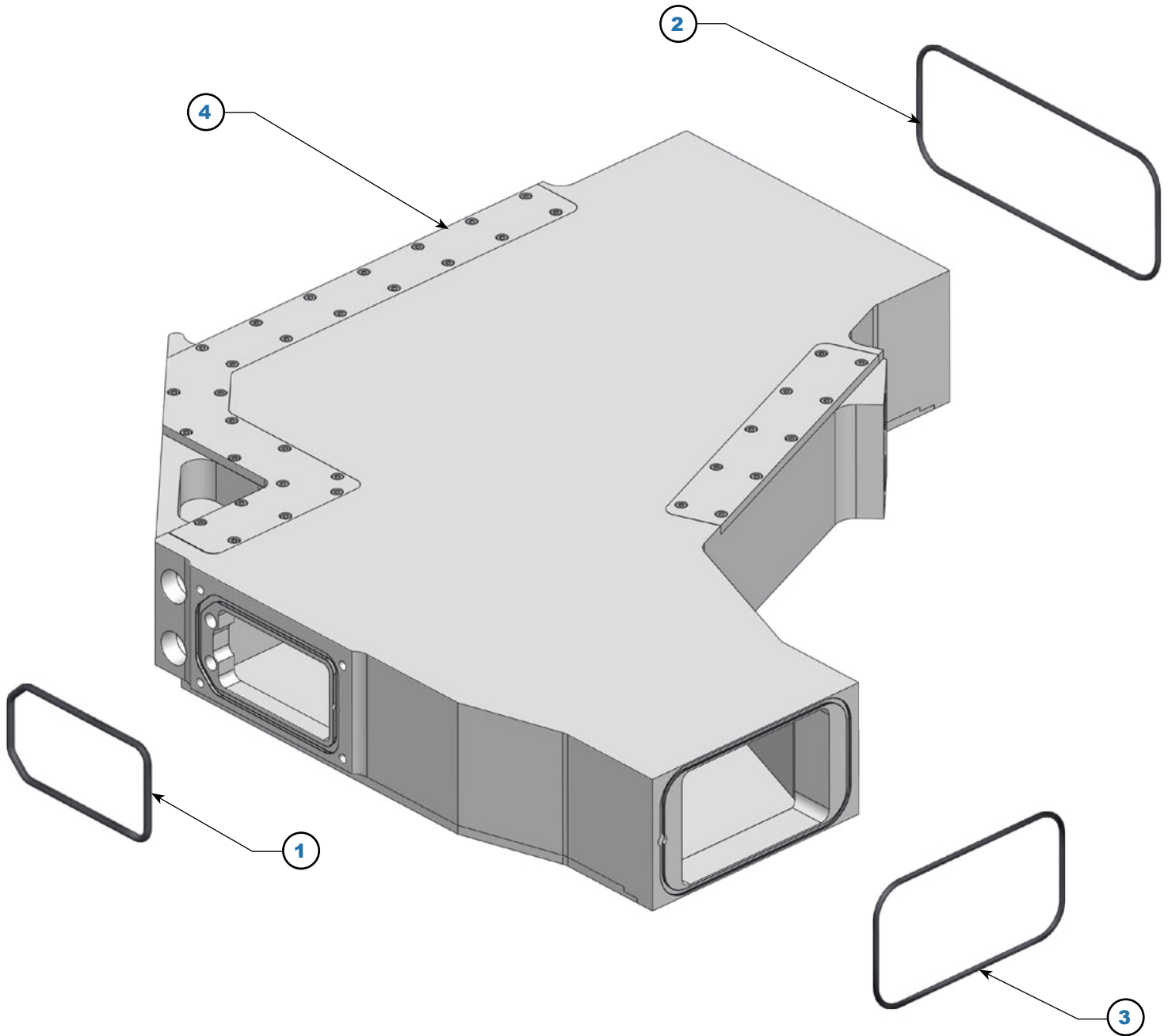
\* Glemco offers improvements, modifications, or alternatives to standard OEM replacement components as indicated in red throughout this guide.

# Source Chamber Components



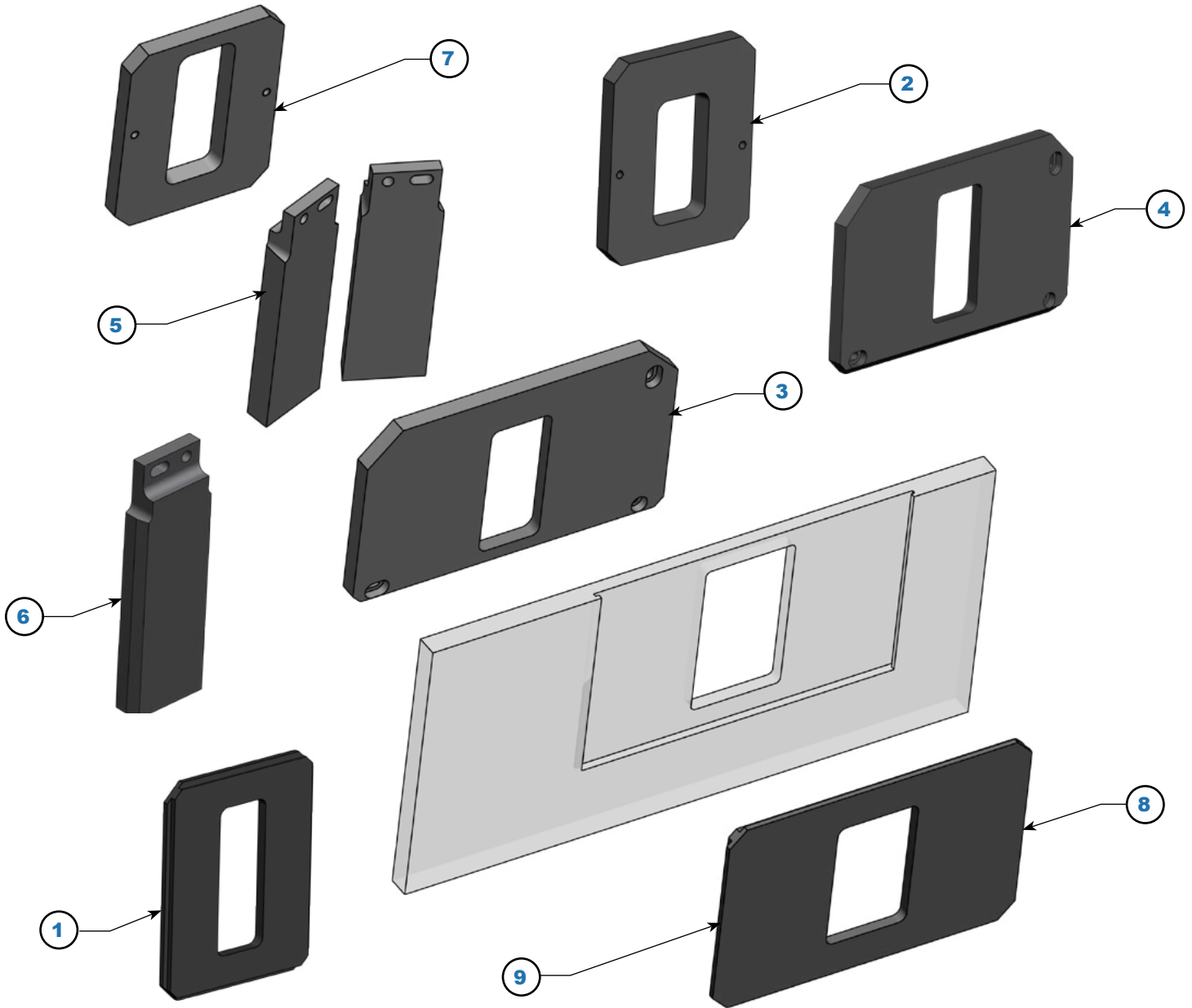
Item	P/N	Description	OEMs	Qty
1	90127	Shield, Source Chamber, Graphite	0020-82474	1
2	90255	Liner, Clamp Plate, Graphite	0020-83172	1

*\* Glemco offers improvements, modifications, or alternatives to standard OEM replacement components as indicated in red throughout this guide.*



Item	P/N	Description	OEMs	Qty
1	83137V	O-Ring, -237, Viton®	No OEM Reference	1
2	8A942V	O-Ring, -161, Viton®	No OEM Reference	1
3	8B206V	O-Ring, -157, Viton®	No OEM Reference	1
4	90347-S1	Flight Tube, 9500 IHC	0040-94358	1

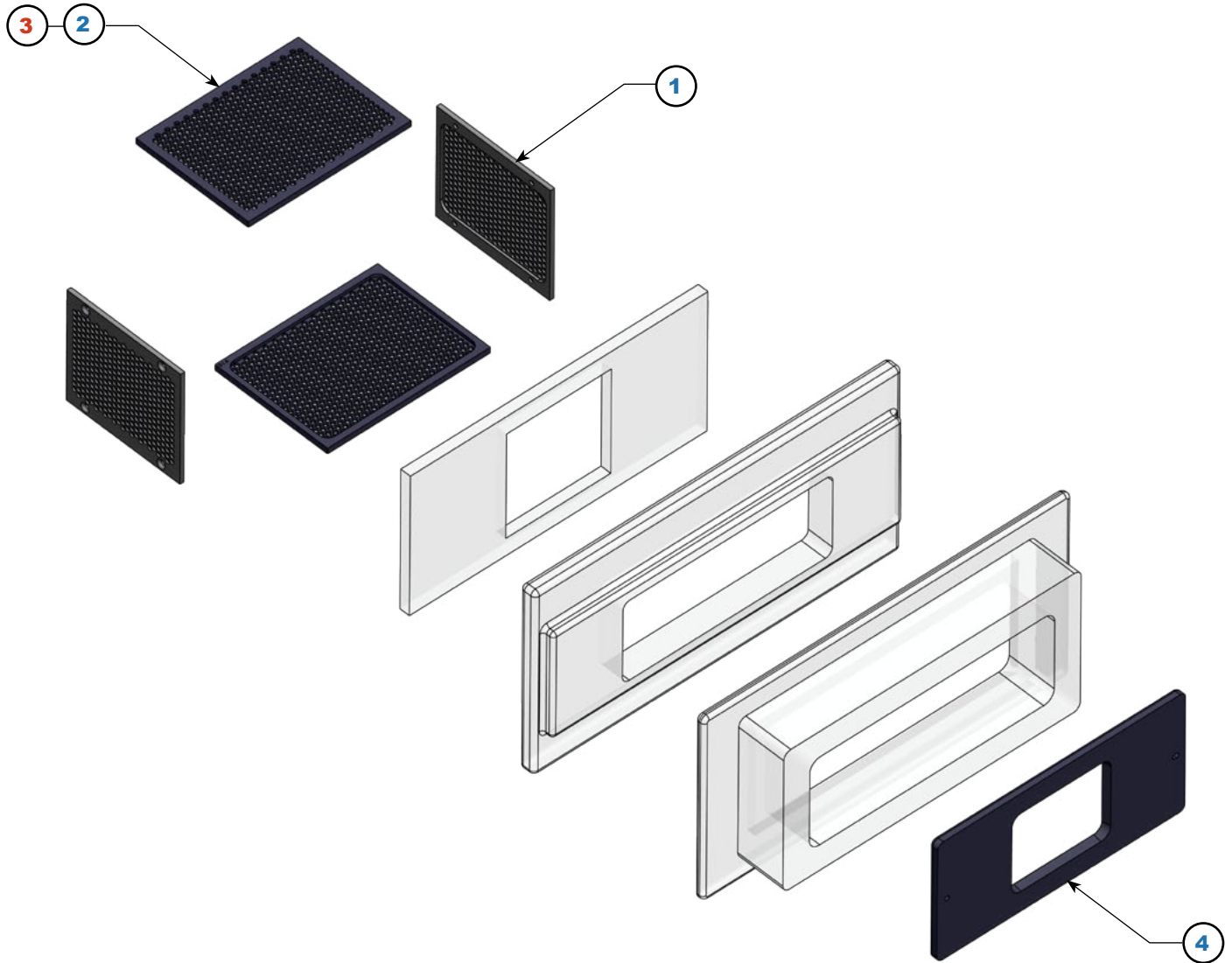
\* Glemco offers improvements, modifications, or alternatives to standard OEM replacement components as indicated in red throughout this guide.



Item	P/N	Description	OEMs
1	90123	Pre-Defining Aperture, 25mm X 68mm, Graphite	0020-80037
2	90125	Post MRS Slit, 25mm X 55mm Aperture, Graphite	0020-97885
3	90251	Pre-MRS Slit, Graphite	0020-84988
4	90251A	Pre-MRS Slit, Graphite	0020-83924
5	90257A	MRS Vane, Graphite	97827, 65522, 0020-99710, 0020-82810, 0020-81268
6	90257C	MRS Vane, Extended Life, Graphite	97827, 65522, 0020-99710, 0020-82810, 0020-81268
7	90260	Post MRS Slit, 25mm X 68mm Aperture, Graphite	65548, 0020-83925
8	90335	Pre-Defining Aperture, 40mm X 64mm, Graphite	0020-83923
9	90335V	Pre-Defining Aperture, 40mm X 64mm, Graphite, VIG	0020-83923

\* Glemco offers improvements, modifications, or alternatives to standard OEM replacement components as indicated in red throughout this guide.

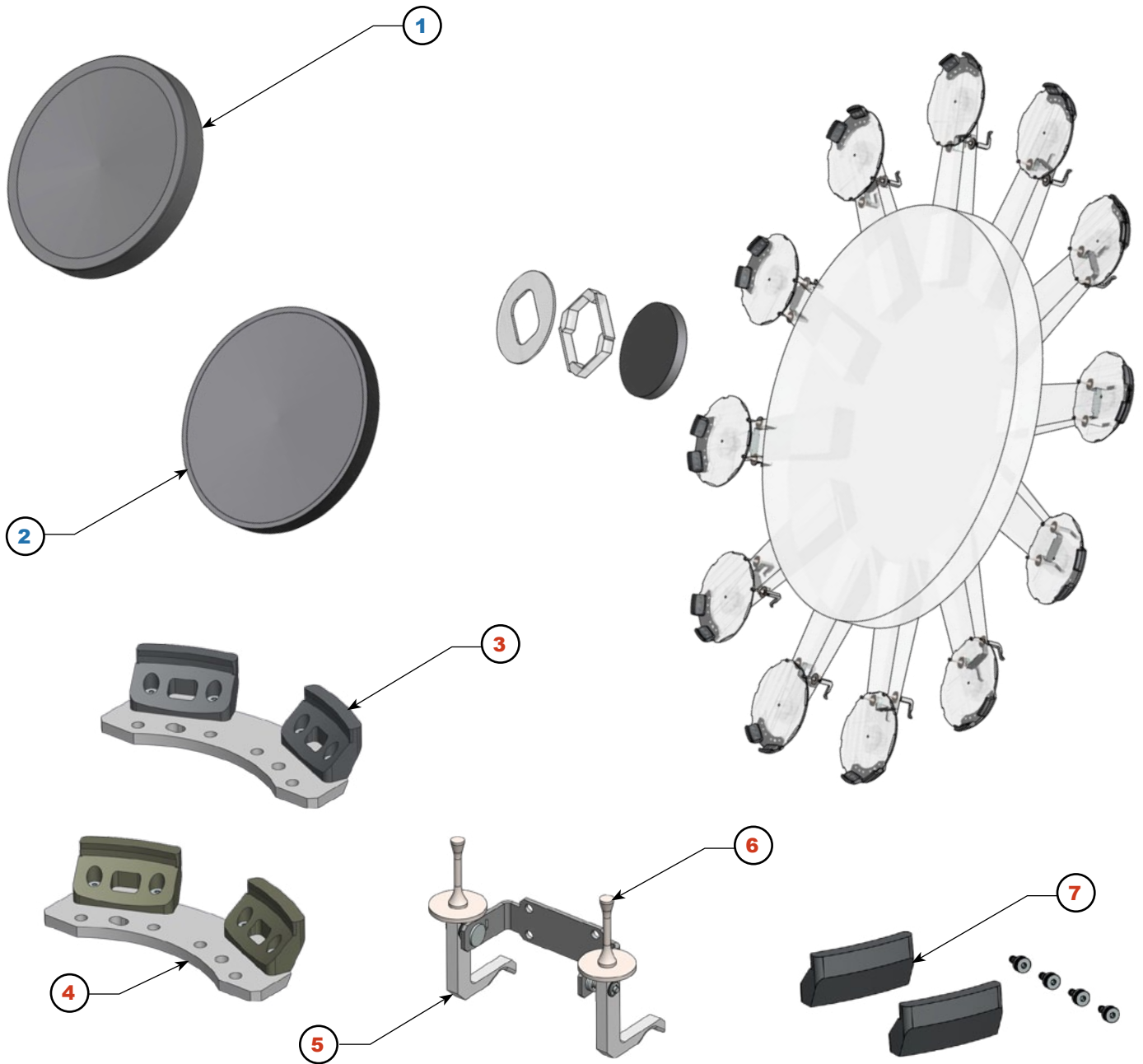
# Moveable PA Components



Item	P/N	Description	OEMs	Qty
1	90259	Side Screen, Entry Tube, Graphite	0020-80688	2
2	90333	Shield, Guide Tube Side, Graphite	0020-83581	2
3	90333V	Shield, Guide Tube Side, Graphite, VIG	0020-83581	
4	90336	Electrode, EH3, Graphite	0020-83928	1

\* Glemco offers improvements, modifications, or alternatives to standard OEM replacement components as indicated in red throughout this guide.

# End Station Components



Item	P/N	Description	OEMs	Qty
1	90128	Beam Stop, Graphite	0020-82832	1
2	90128A	Beam Stop, Leap II, Graphite	0020-99635	1
3	90181D	3 pc. Fixed Restraint, 9500/Xr200®, ESD	0021-29533	
4	90181DA	3 pc. Fixed Restraint, 200mm, 9500/Xr200®, Bearing Grade	0021-29533	
5	90268D	Moving Clip Assembly, 200mm, 9500®	0010-99166	
6	90268DR	Moving Clip, Refurbishment, 200mm, 9500®	0010-99166 REF	
7	K90181D	Restraint Kit, 200mm, ESD, 9500/Xr200®, ESD Includes: 2 of 90181D-2 & 4 of 8B338	No OEM Reference	

\* Glemco offers improvements, modifications, or alternatives to standard OEM replacement components as indicated in red throughout this guide.