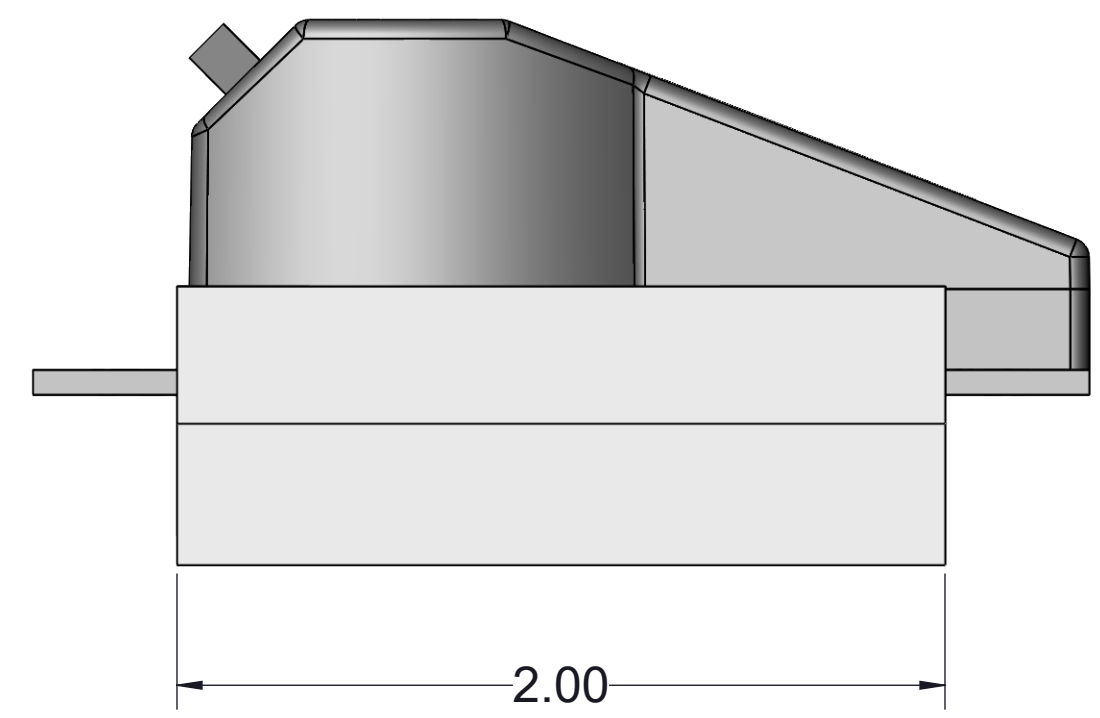
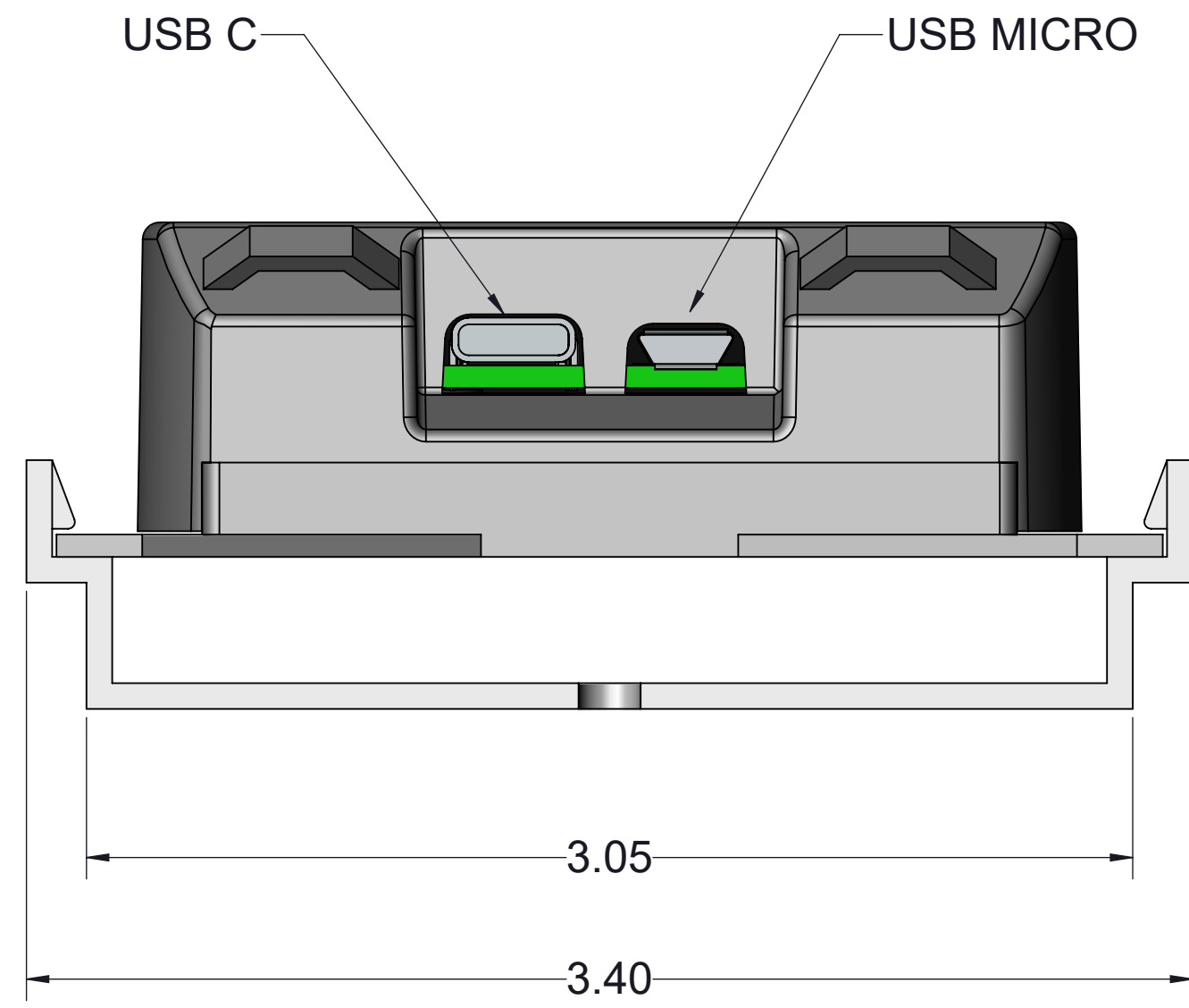
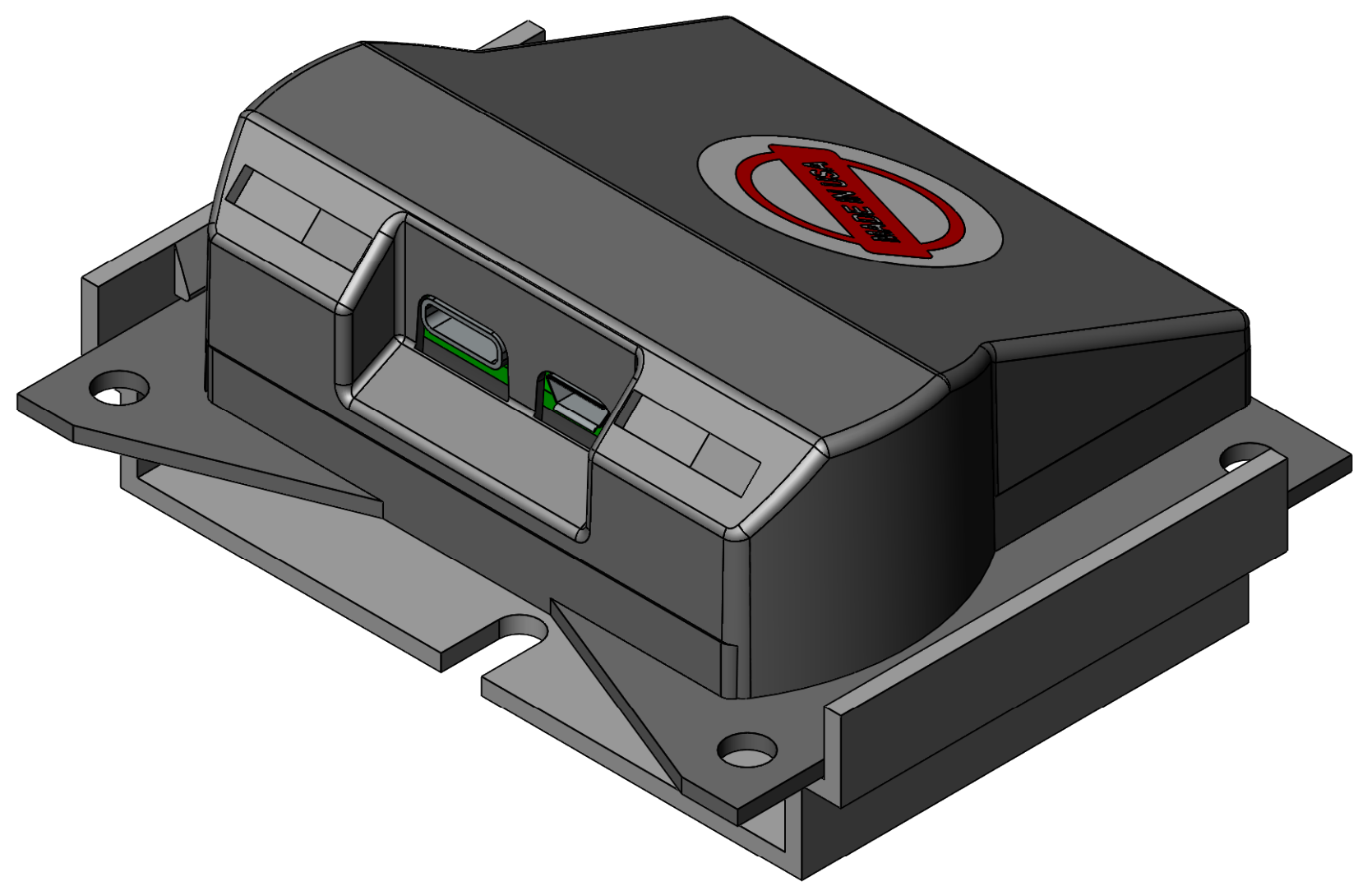
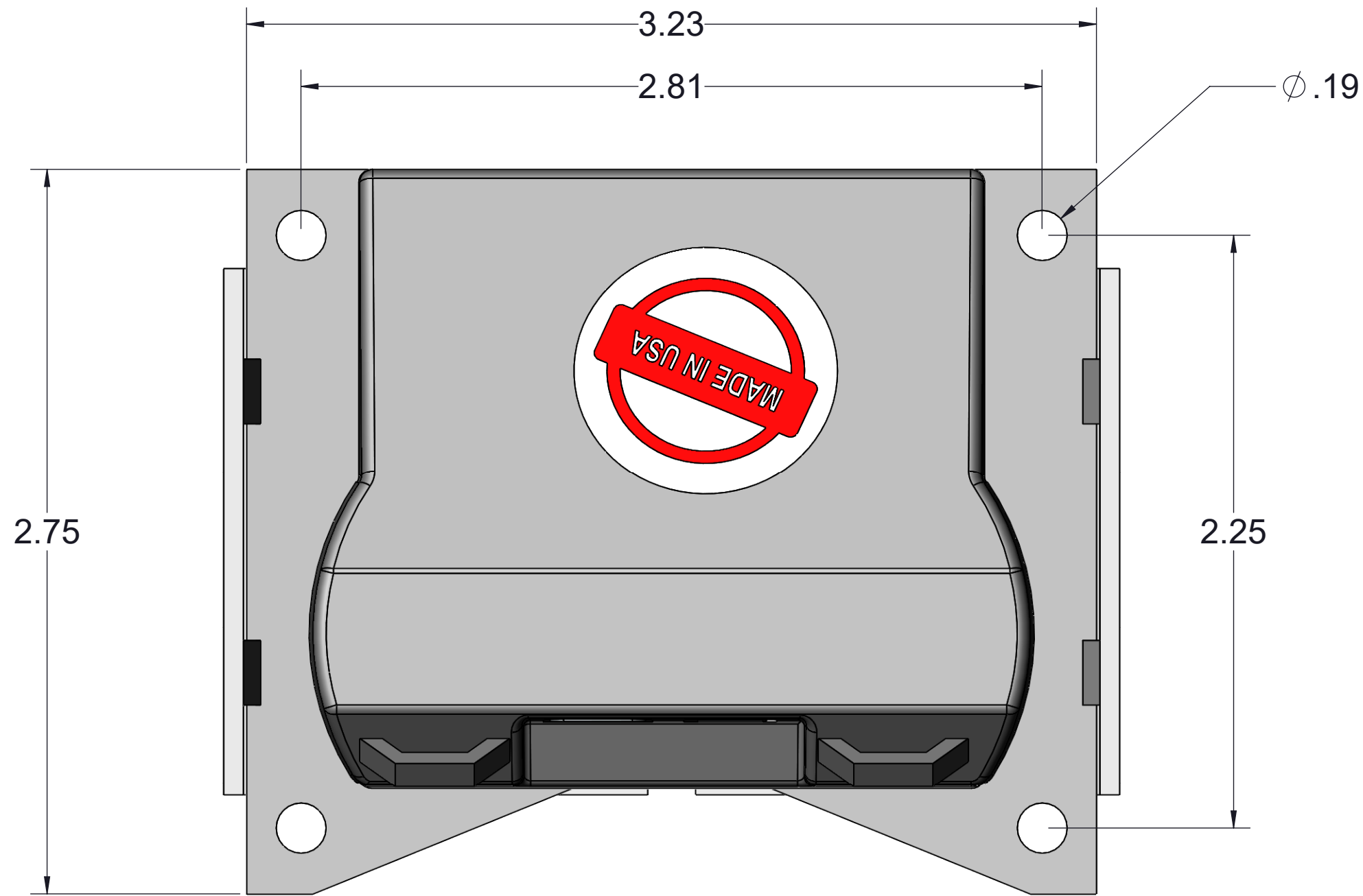


ECO #		REV	DESCRIPTION	DATE	APPROVED



**PROPRIETARY AND CONFIDENTIAL**  
 THE INFORMATION CONTAINED IN THIS DRAWING IS THE SOLE PROPERTY OF SPACE AGE ELECTRONICS INC. ANY REPRODUCTION IN PART OR AS A WHOLE WITHOUT THE WRITTEN PERMISSION OF SPACE AGE ELECTRONICS INC. IS PROHIBITED.

PROJECT:	EP04281	UNLESS OTHERWISE SPECIFIED:	NAME	DATE
SCALE:	1:1	DIMENSIONS ARE IN INCHES	DRAWN	MWP
SAE/OWNER:	ENG	TOLERANCES:	CHECKED	
PART NO.:	EDOC	FRACTIONAL $\pm 1/32$ "	ENG APPR.	
PROGRAM NO.:		ANGULAR: MA CH $\pm 0.5$ BEND $\pm 0.5$	MFG APPR.	
NEXT ASSY:		TWO PLACE DECIMAL $\pm .031$	Q.A.	
APPLICATION:		THREE PLACE DECIMAL $\pm .015$	COMMENTS:	
		INTERPRET GEOMETRIC TOLERANCING PER:		
		MATERIAL		
		FINISH		
		DO NOT SCALE DRAWING		

**SPACE AGE ELECTRONICS INC.**

TITLE: ELECTRONIC DOCUMENT STORAGE4GB

P/N: EDOC

SIZE	DWG. NO.	REV
<b>C</b>	CP30310	<b>1</b>

SCALE: 1:1 WEIGHT: SHEET 1 OF 1