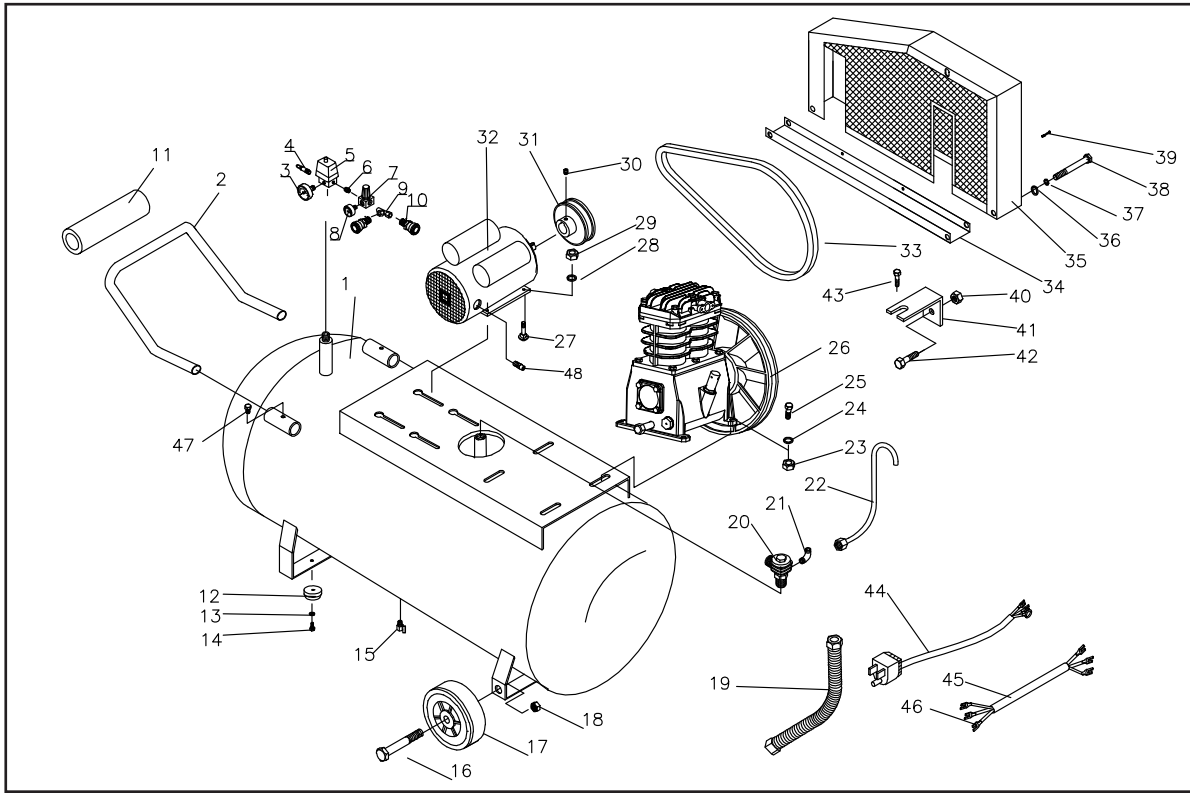




20 GALLON HORIZONTAL AIR COMPRESSOR BREAKDOWN

AC3220B

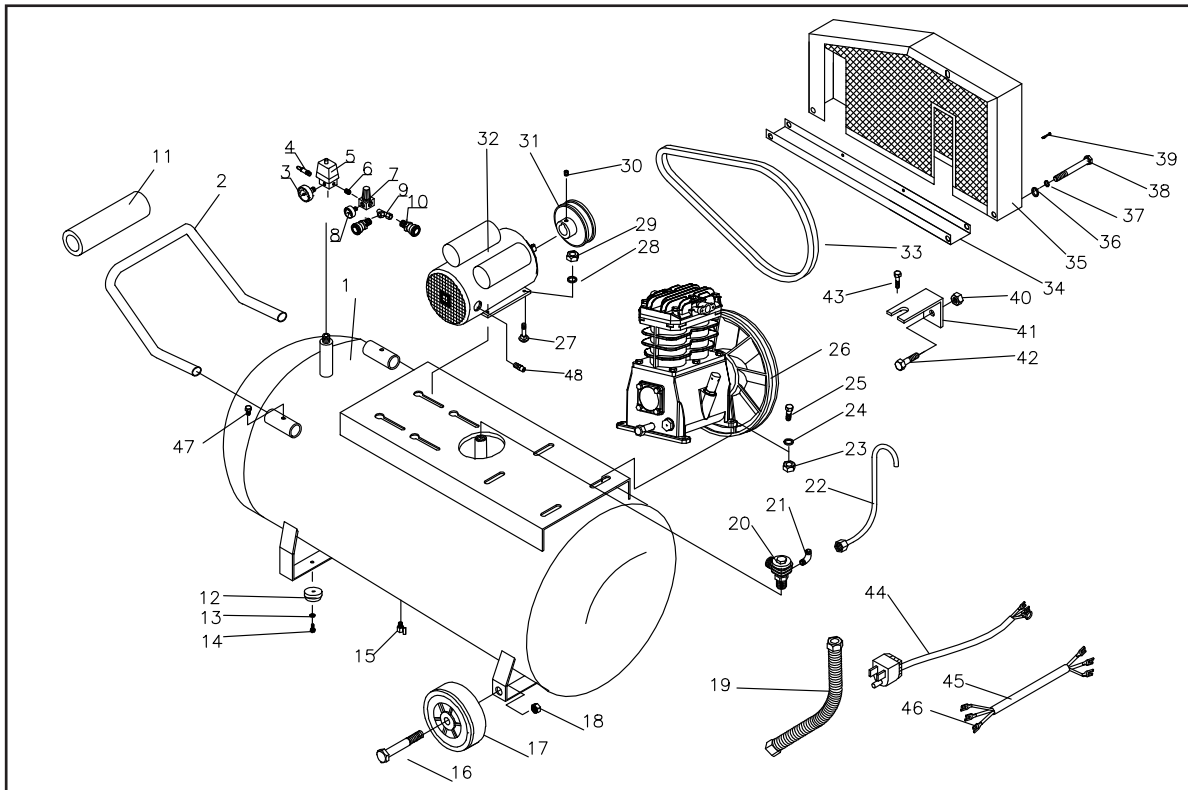


REF	DESCRIPTION	PART NUMBER	QTY.
2	Grip,Handle	42.004.500	1
11	Grip,Handle		1
47	Screw		2
2	Grip,Handle	42.004.501	1
11	Grip,Handle		1
47	Screw		2
2	Grip,Handle	42.004.502	1
11	Grip,Handle		1
47	Screw		2
3	Pressure Gauge	42.003.006	1
4	Safety Valve	42.006.046	1
5	Pressure Switch	42.004.519	1
7	Regulator	42.004.504	1
8	Pressure Gauge	42.003.005	1
9	T-branch pipe	42.000.018	1
10	Coupler	42.000.046	2
12	Foot Rubber Pad	42.004.505	2
13	6 Flat Washer		2
14	Bolt		2
15	Drain Cock	42.004.012	1
16	Bolt	42.004.506	2
17	Tank Wheel		2
18	Six Angle Nut		2
19	Exhaust Pipe Assembly	42.004.521	1
20	Check Valve	42.004.508	1
21	Unload copper Pipe		1
22	Unload Elbow		0.4M



20 GALLON HORIZONTAL AIR COMPRESSOR BREAKDOWN

AC3220B



REF	DESCRIPTION	PART NUMBER	QTY.	
23	Six Angle Nut	42.004.510	4	
24	Spring Washer		4	
25	Bolt		4	
26	Pump		1	
27	Motor Bolt	42.004.511	4	
28	Washer		4	
29	Six Angle Nut		4	
48	Cable Glands		1	
32	Motor	42.004.512	1	
30	In-Six Angle Bolt	42.004.513	1	
31	Motor Pulley	42.004.514	1	
33	V-Belt		1	
34	Safety Guard		1	
35	Safety Guard		1	
36	Washer		2	
37	Spring Washer		2	
38	Bolt		2	
39	Screw		2	
40	Six Angle Nut		1	
41	Holder		1	
42	Screw		1	
43	Screw, M6x1x16		1	
40	Six Angle Nut		42.004.515	1
41	Holder			1
42	Screw	1		
43	Screw, M6x1x16	1		