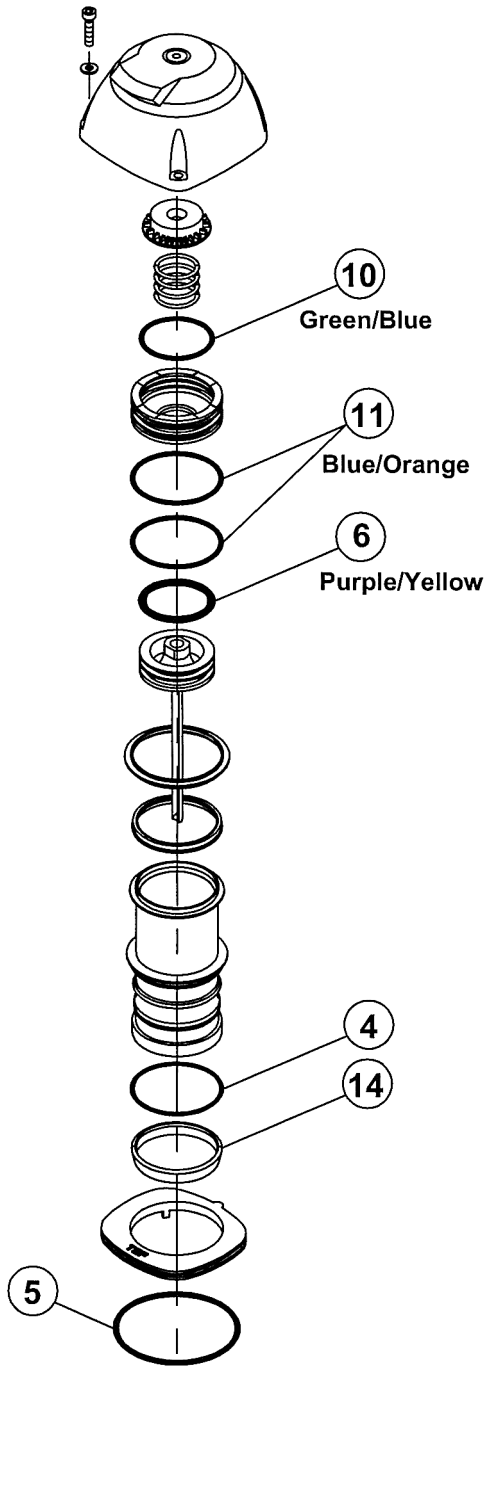


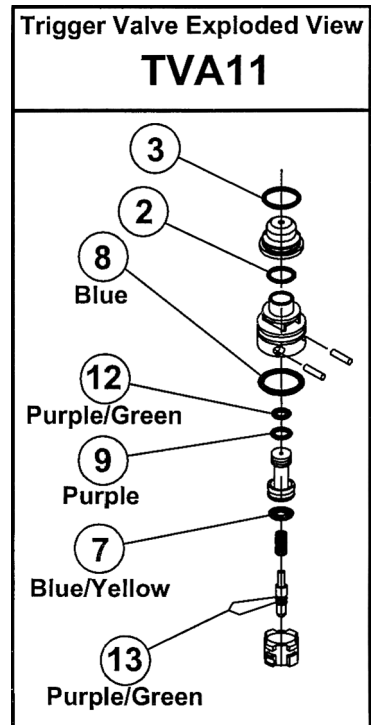
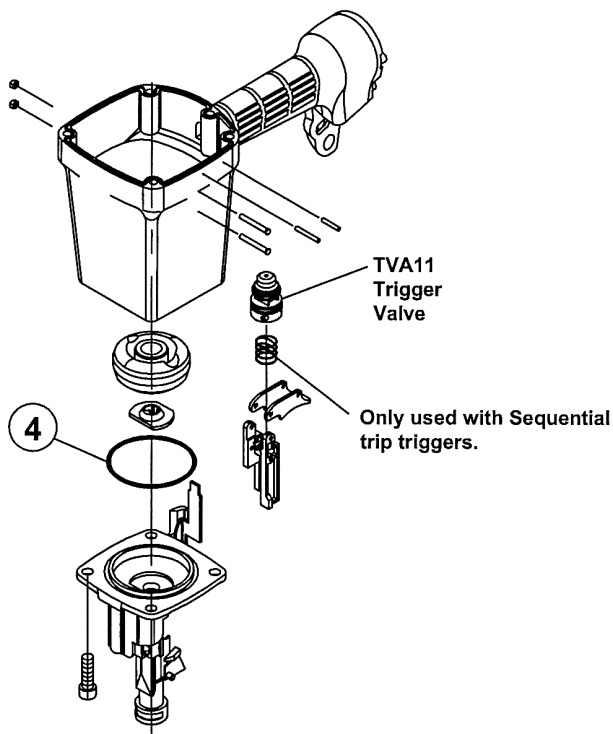
RELIABILITY™

Provin



| Contents of O-Ring Kit KT-BO-088 | | | | |
|----------------------------------|-----|-------------|---------------|----------------------------------|
| Performance Provin Inc. | | | | Equivalent Bostitch® Part Number |
| KEY NO. | Qty | PART NUMBER | Color Code | |
| 1 | 1 | OR-PP-130 | | Note 2 89013 |
| 2 | 1 | OR-PP-150 | | HH11151 |
| 3 | 1 | OR-PP-156 | | 86459 |
| 4 | 2 | OR-PP-414 | | 89673 |
| 5 | 1 | OR-PP-600 | | 108718 |
| 6 | 1 | OR-PP-780 | PURPLE/YELLOW | 851606 |
| 7 | 1 | OR-PP-929 | BLUE/YELLOW | MRG008819 or HH11113 |
| 8 | 1 | OR-PP-1020 | BLUE | 851554 |
| 9 | 1 | OR-PP-1316 | PURPLE | MRG006819 |
| 10 | 1 | OR-PP-1593 | GREEN/BLUE | 112635 |
| 11 | 2 | OR-PP-1686 | BLUE/ORANGE | 107658 |
| 12 | 1 | OR-PP-6219 | PURPLE/GREEN | MRG005819 or HH11119 |
| 13 | 2 | OR-PP-6293 | PURPLE/GREEN | MRG002514 or HH11901 |
| 14 | 1 | MS-PP-269 | | 107269 |

NOTE 2. OR-PP-130 may or may not be used on all N88 models.



*Generously grease all O-rings at time of assembly

Note: Read and understand the safety information printed on the reverse side before repairing any tools.
 Nota: Lea y comprende la información de seguridad impresa al reverso antes de reparar cualquier herramienta.

8/23/2007

Exploded View and O-ring List for
 BOSTITCH N88RH, N88RH17-2, N88RH-2MCN,
 N88WW & N88WWB

VL-BO-88

CAUTION**CAUTION****CAUTION**

ALWAYS WEAR SAFETY GLASSES WITH SIDE SHIELDS WHEN USING PNEUMATICALLY OPERATED FASTENER DRIVING TOOLS

NEVER POINT THE TOOL AT YOURSELF OR ANYONE ELSE

NEVER BYPASS OR REMOVE ANY SAFETY DEVICE

ALWAYS FOLLOW THE ORIGINAL MANUFACTURE'S SAFETY AND SERVICE INSTRUCTION

NEVER ATTEMPT TO SERVICE OR REPAIR A PNEUMATICALLY OPERATED TOOL WITH THE COMPRESSES AIR LINE CONNECTED TO THE TOOL

NEVER LEAVE A PNEUMATICALLY OPERATED TOOL UNATTENDED WITH THE COMPRESSES AIR LINE CONNECTED

ALWAYS FOLLOW THE ORIGINAL TOOLS MANUFACTURE'S DISASSEMBLY, ASSEMBLY, AND TOOL INSPECTION PROCEDURES

PRECAUTION**PRECAUTION****PRECAUTION**

SIEMPRE USE LENTES DE SEGURIDAD CON PROTECTORES LATERALES AL USAR HERRAMIENTAS DE IMPULSO CON SUJETADOR DE OPERACIÓN NEUMÁTICA

NUNCA APUNTE A SI MISMO O A OTRA PERSONA CON LA HERRAMIENTA

NUNCA EVITE O RETIRE ALGÚN DISPOSITIVO DE SEGURIDAD

SIEMPRE SIGA LAS INSTRUCCIONES DE SEGURIDAD Y SERVICIO DEL FABRICANTE ORIGINAL DE LA HERRAMIENTA

NUNCA INTENTE HACER MANTENIMIENTO O REPARAR UNA HERRAMIENTA DE OPERACIÓN NEUMÁTICA CON LA LINEA DE AIRE COMPRIMIDO CONECTADA A LA HERRAMIENTA

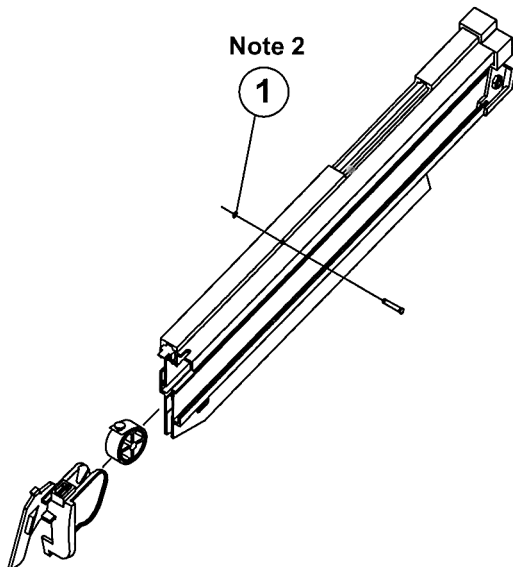
NUNCA DEJE SIN ATENCIÓN UNA HERRAMIENTA DE OPERACIÓN NEUMÁTICA CON LA LINEA DE AIRE COMPRIMIDO CONECTADA

SIEMPRE SIGA LOS PROCEDIMIENTOS DE DESMONTAJE, MONTAJE, E INSPECCIÓN DEL FABRICANTE ORIGINAL DE LA HERRAMIENTA

O-Ring Kit

KT-BO-088

For use on the following tool models.
Kit contains all O-Rings in these tools.



BOSTITCH

N88RH

N88RH-2MCN

N88RH17-2

N88WW

N88WWB

