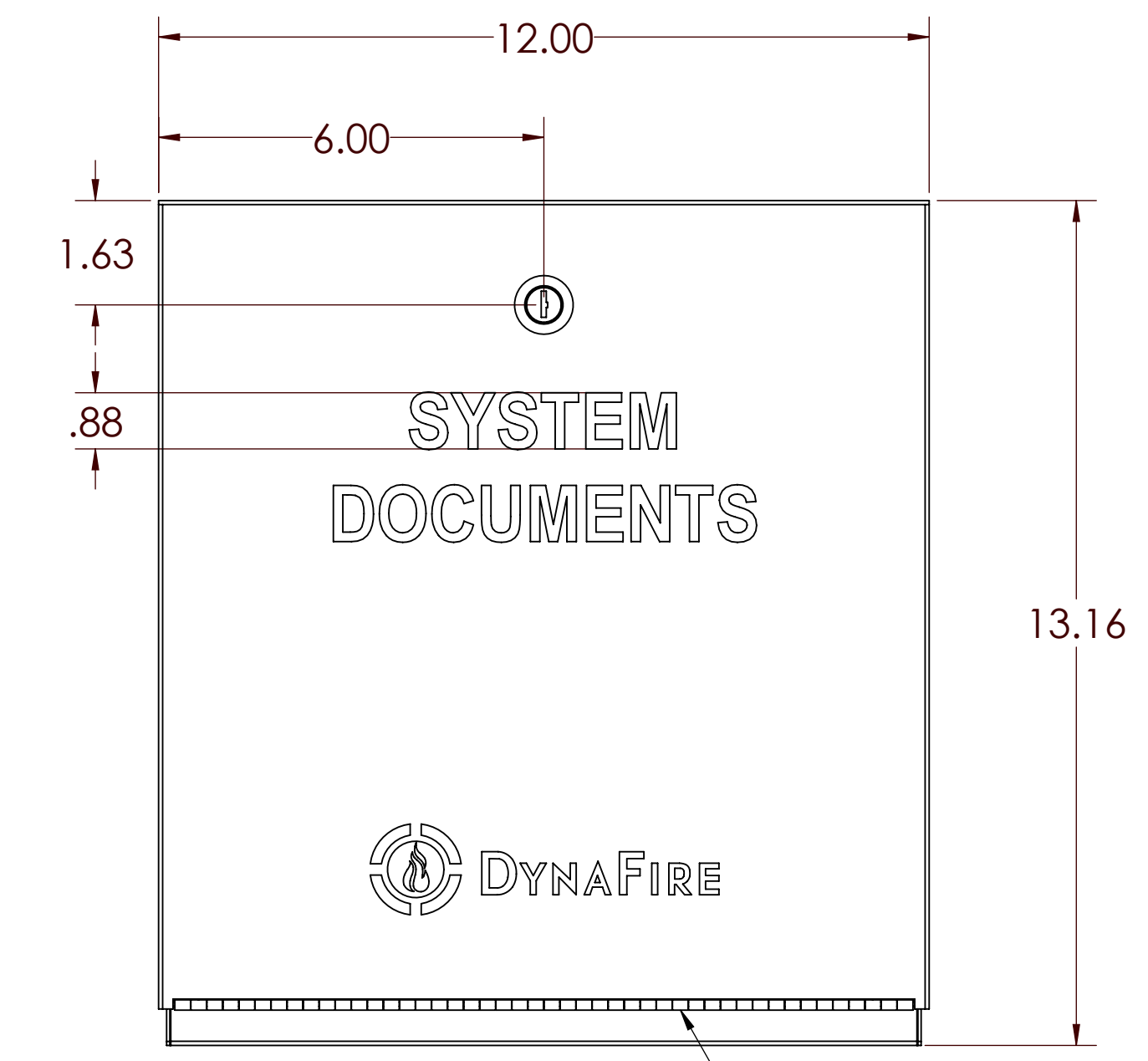
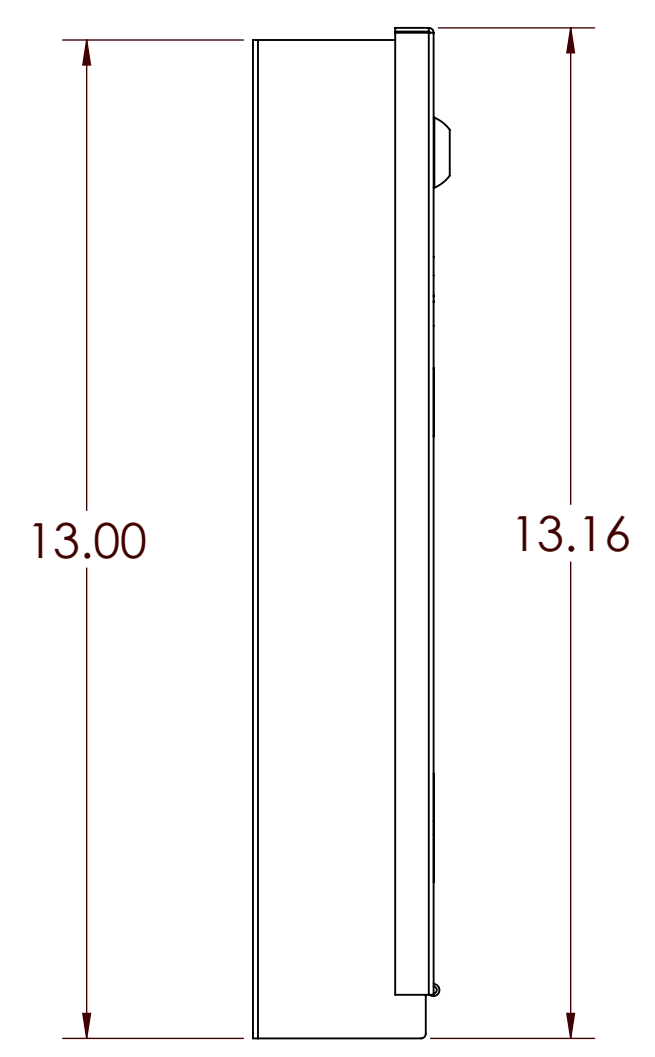
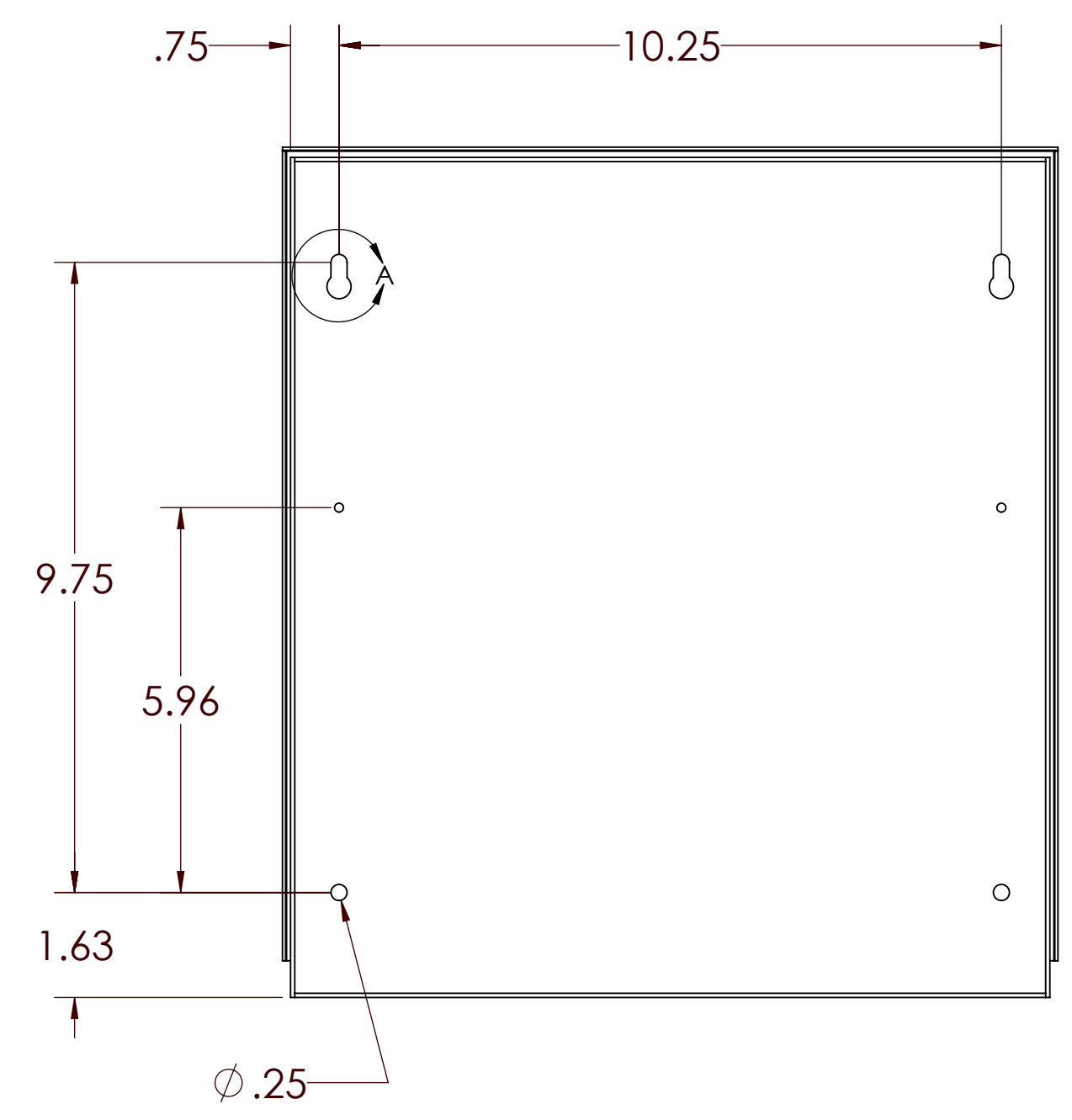
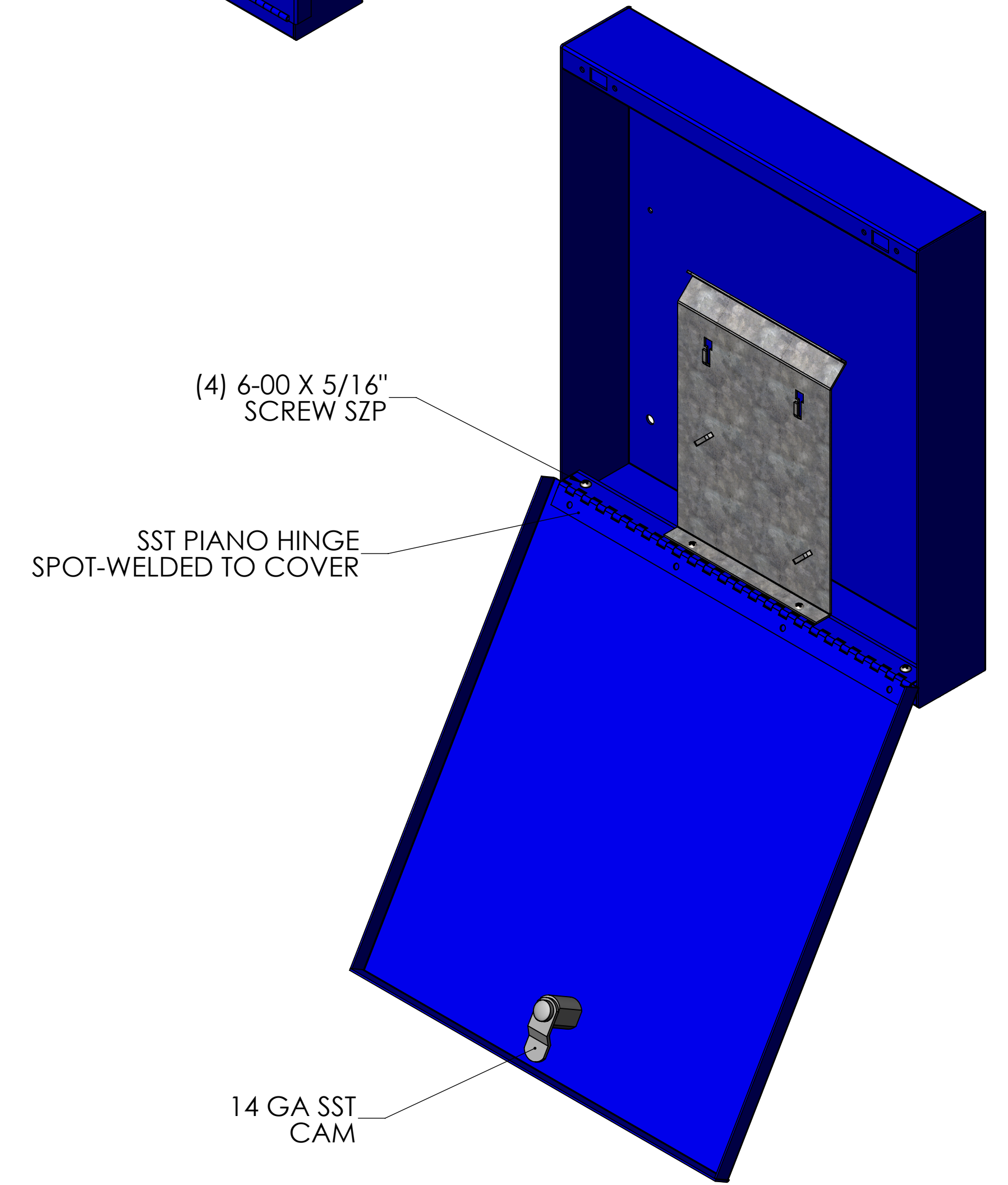
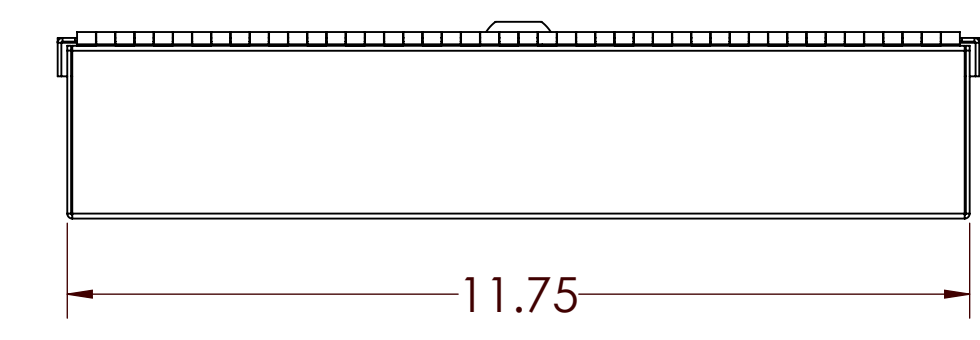


MATERIAL: 18 GA CRS
FINISH: TEXTURED POWDER
COAT FINISH



SST PIANO HINGE
(STOCKER # 1-0400-0228)



ACE-11 ENCLOSURE

PART NO.	ID
SSU00672	FDB
SSU00673	FDB
SSU00685	FAD
SSU00686	FAD
SSU00689	SRD
SSU00690	SRD

PROPRIETARY AND CONFIDENTIAL
THE INFORMATION CONTAINED IN THIS DRAWING IS THE SOLE PROPERTY OF SPACE AGE ELECTRONICS, INC. ANY REPRODUCTION IN PART OR AS A WHOLE WITHOUT THE WRITTEN PERMISSION OF SPACE AGE ELECTRONICS, INC. IS PROHIBITED.

PROJECT:	EPO3280	UNLESS OTHERWISE SPECIFIED:	DRAWN:	NAME:	DATE:
SCALE:	1:2.5	DIMENSIONS ARE IN INCHES	CHECKED:	MWP	1/29/2014
SAE/OWNER:	ENG	TOLERANCES:	ENG APPR:		
PART NO.:	SEE TAB	FRACTIONAL: 1/32"	MFG APPR:		
PROGRAM NO.:		ANGULAR: MAX: ±0.5 BEND: ±0.5	Q.A.:		
NEXT ASSY:		TWO PLACE DECIMAL ±.015	COMMENTS:		
APPLICATION:		THREE PLACE DECIMAL ±.015			
		MATERIAL:			
		18 GA CRS			
		FINISH:			
		POWDER COAT			

TITLE: ACE-11 CABINET DRAWING SRD, FAD, FDB ENCL	
SIZE: DWG. NO. CP40709	REV 2
SCALE: 1:2.5WEIGHT:	SHEET 1 OF 1

REV
CP40709