

# HIGH BAY RETROFITS ULTRA BRIGHT PERFORMANCE



VOLTAGE**	MOGUL BASE	INSTALL METHOD	OPERATING TEMP	OPEN FIXTURE ONLY	SURGE PROTECTION	CRI	RATED LIFE	WARRANTY

## designed to perform



available  
uplight

LED-8130M

- Available in 90W, 135W and 150W models replacing up to 400W HID.
- Uplight feature available on 8130M model.
- Dynamic temp control supports a longer, brighter life.
- Pretested & potted drivers are burnt in 3x prior to shipping and protected against vibration & moisture.
- Expertly engineered to work efficiently in open fixtures & damp environments, while also protected against insects & dust.
- Dual stage MOV protection with integrated 6kA surge.
- USA designed & specified LED driver.

reliable performance  
for open fixtures

PART #	UPC	REPLACES	WATTAGE	LUMENS	CCT (K)*	BASE
LED-8136M50	844006084097	250W HID	90W	11825	5000K	EX39
LED-8132M50	844006084059	400W HID	135W	17095	5000K	EX39
LED-8130M50	844006083991	400W HID	150W	19375	5000K	EX39

\* See page 2 for additional color temperatures.

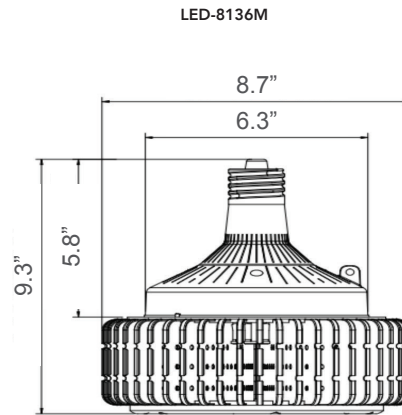
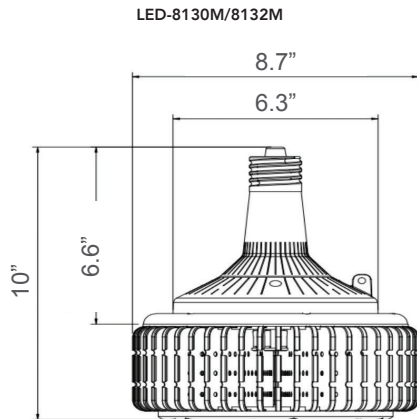
\*\* See page 2 for 347 volt options for Canada.



FOR PRODUCT INFO ("LED" MODEL #) CONTACT.....Light Efficient Design • 188 S. Northwest Highway • Cary, IL 60013 • 847.380.3540 • led-llc.com  
 FOR PRODUCT INFO ("RP" MODEL #) CONTACT.....RemPhos by Light Efficient Design • 30 Log Bridge Road, Building 200 • Middleton, MA 01949 • 877.997.3674 • remphos.com

12.13.18 Information is subject to change without notice.

# HIGH BAY RETROFITS ULTRA BRIGHT PERFORMANCE



## ORDERING GUIDE

PART #	UPC	REPLACES	WATTAGE	LUMENS	CCT (K)	BASE
LED-8136M-40	844006084078	250W HID	90W	11825	4000K	EX39
LED-8136M-50	844006084097	250W HID	90W	11825	5000K	EX39
LED-8132M-40	844006083977	400W HID	135W	17055	4000K	EX39
LED-8132M-50	844006083991	400W HID	135W	17095	5000K	EX39
LED-8130M-40	844006084035	400W HID	150W	19285	4000K	EX39
LED-8130M-50	844006084059	400W HID	150W	19375	5000K	EX39

**347 VOLT OPTIONS FOR CANADA**

PART #	UPC	REPLACES	WATTAGE	LUMENS	CCT (K)	BASE
LED-8136M-40C	844006084080	250W HID	90W	11825	4000K	EX39
LED-8136M-50C	844006084103	250W HID	90W	11825	5000K	EX39
LED-8132M-40C	844006083984	400W HID	135W	17055	4000K	EX39
LED-8132M-50C	844006084004	400W HID	135W	17095	5000K	EX39
LED-8130M-40C	844006084042	400W HID	150W	19285	4000K	EX39
LED-8130M-50C	844006084066	400W HID	150W	19375	5000K	EX39



FOR PRODUCT INFO ("LED" MODEL #) CONTACT.....Light Efficient Design • 188 S. Northwest Highway • Cary, IL 60013 • 847.380.3540 • led-llc.com  
 FOR PRODUCT INFO ("RP" MODEL #) CONTACT.....RemPhos by Light Efficient Design • 30 Log Bridge Road, Building 200 • Middleton, MA 01949 • 877.997.3674 • remphos.com