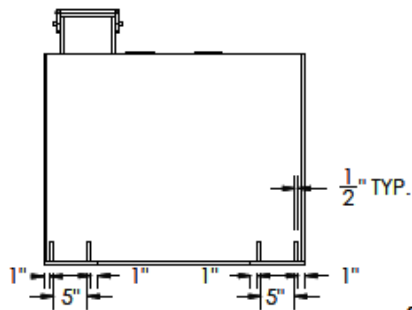
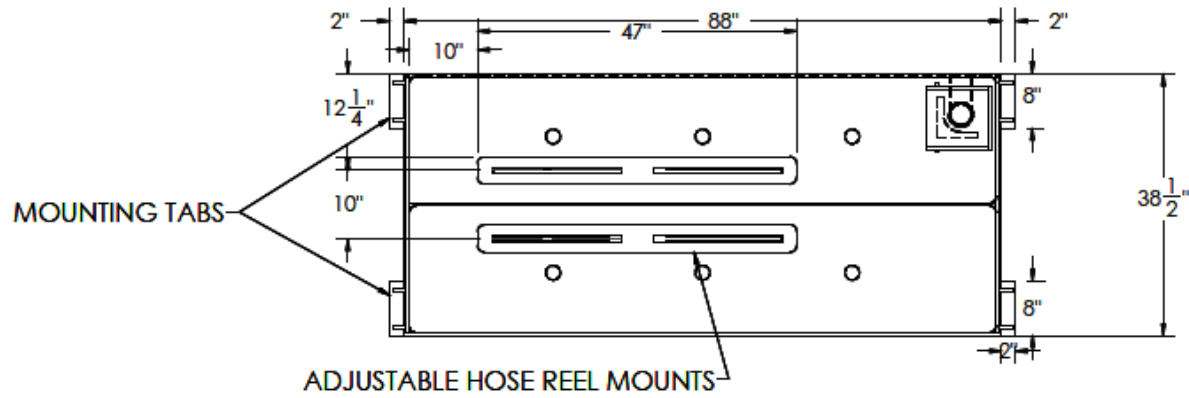
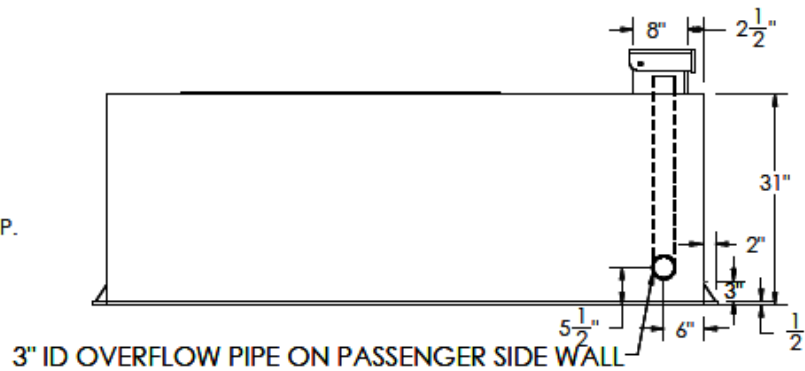


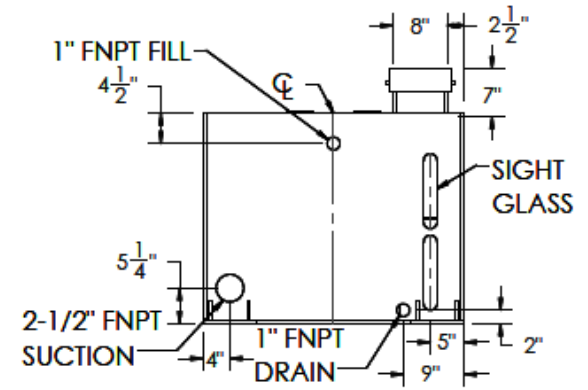
TOP VIEW



CAB VIEW



DRIVER SIDE VIEW



TAILGATE VIEW



CHEMICAL CONTAINERS, INC.
LAKE WALES, FLORIDA, 33859
TEL: 863-638-1407
FAX: 863-638-1863

TITLE		
400 Gallon Horizontal Specialty Tank		
SIZE	DWG NO	REV
B	T9910P	00
COMPONENT DRAWING		
SCALE: N.A.	LAYOUT SHEET	SHEET 1/1