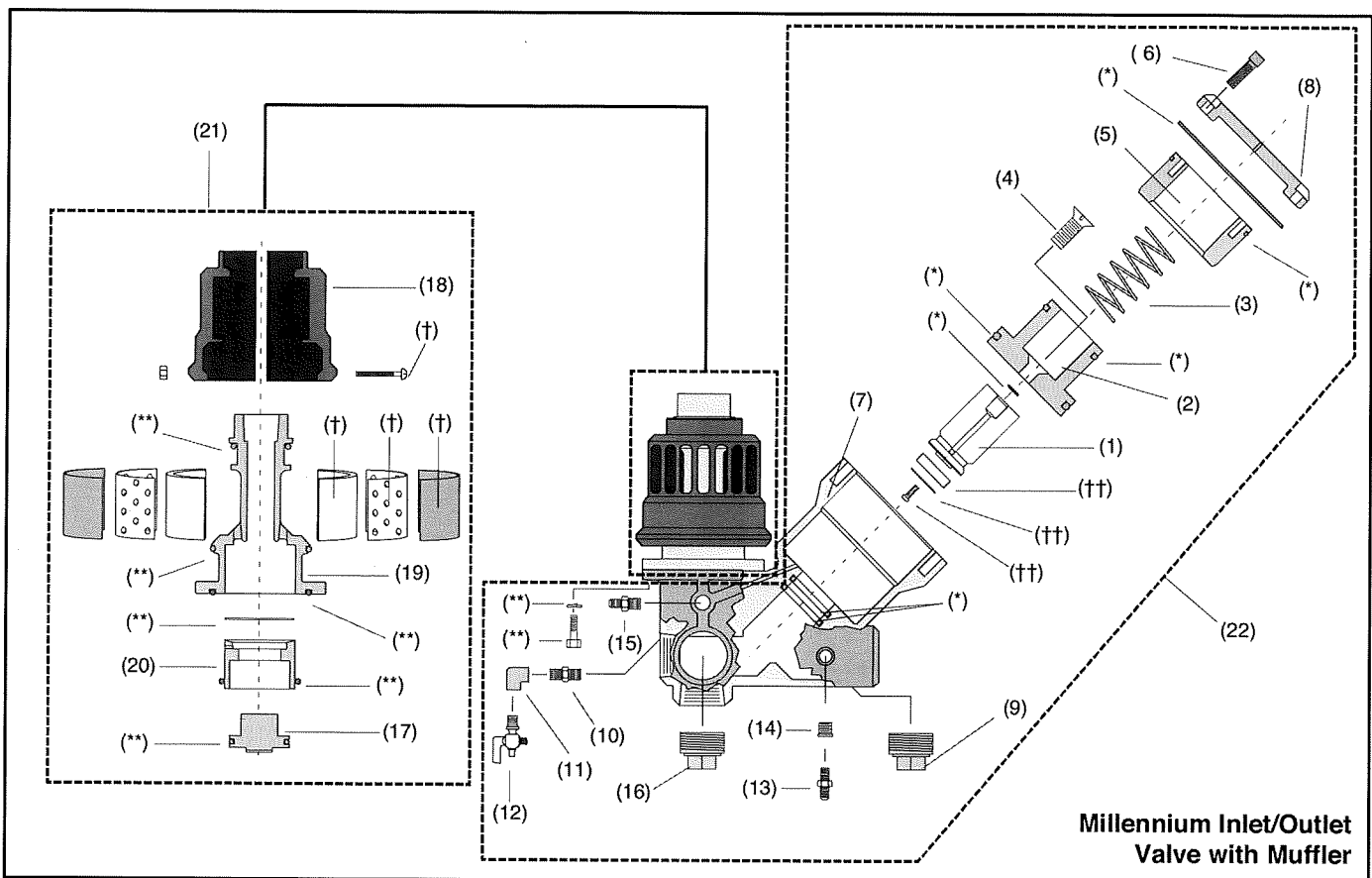


# MILLENNIUM INLET/OUTLET VALVE FOR CONTRACTOR BLAST MACHINES



Description	Stock No.	Price	Disc.	Wt.	Description	Stock No.	Price	Disc.	Wt.
<b>(-) Millennium inlet/outlet valve, complete</b> .....	21336			18	18. Muffler housing set.....	25988			1
1. Plunger, urethane tip.....	22600			2	19. Exhaust valve body.....	21345			2
2. Dual piston.....	22602			1.5	20. Inner sleeve.....	22612			<.5
3. Spring, compression.....	22604			<.5	21. Outlet segment/muffler assembly.....	21731			4
4. Screw w/internal thread for puller.....	22650			<.5	22. Inlet segment (std.).....	21730			14
5. Upper sleeve.....	22603			1.5	Inlet segment (engrd. prod.).....	23620			15
6. 5/16-NC x 1.25 socket head screw, 6 reqd.....	22611			<.5					
7. Inlet valve body.....	21338			7					
8. Cylinder cap.....	21339			1.5	<b>Service Kits</b>				
9. 1-1/2" plug.....	02477			.5	(-) Millennium super service kit, includes 22856, 22857, 22868, and 22898.....	22899			1.5
10. 1/4" hex nipple.....	02808			<.5	(* Inlet segment seals.....	22856			<.5
11. 1/4" x 90 female pipe elbow.....	06373			<.5	(** Outlet segment.....	22857			<.5
12. 1/4" petcock.....	01993			<.5	(† Outlet muffler.....	22868			<.5
13. 1/8" NPT adaptor with 1/16" orifice.....	01945			<.5	(†† Plunger tip.....	22898			<.5
14. Brass bushing, 1/4" x 1/8" ..	02010			<.5					
15. 1/4" NPS adaptor.....	02494			<.5					
16. 1-1/4" pipe plug.....	01762			<.5					
17. Piston.....	22613			<.5					

Note: Kit components are not available individually.