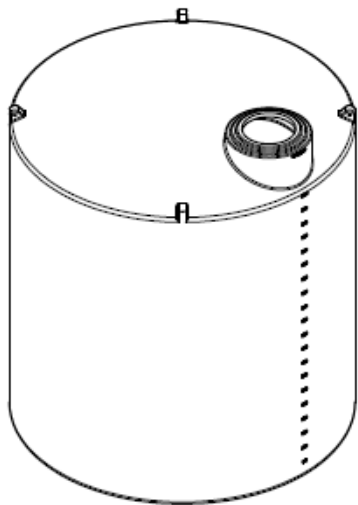



DETAIL A
SCALE 1 / 16



 CHEMICAL CONTAINERS, INC. LAKE WALES, FLORIDA, 33859 TEL: 863-638-1407 FAX: 863-638-1863			
TITLE 11,000 GAL BLACK VERTICAL WATER TANK			
SIZE B	DWG NO T1165NWTB	REV 00	
COMPONENT DRAWING			
SCALE: N.A.	LAYOUT SHEET	SHEET 1/1	