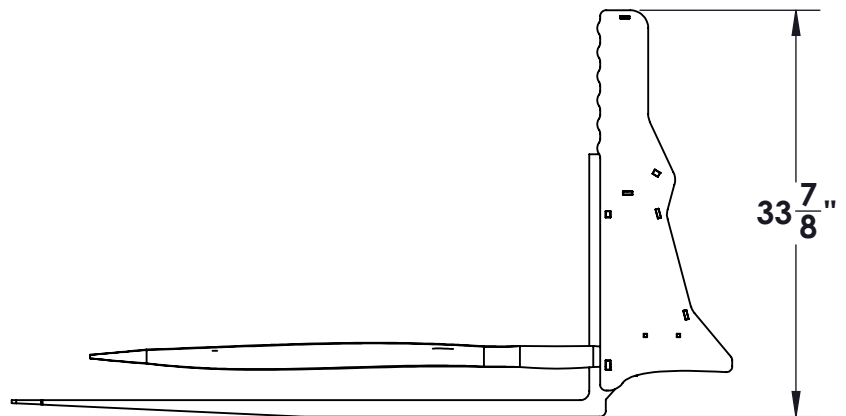
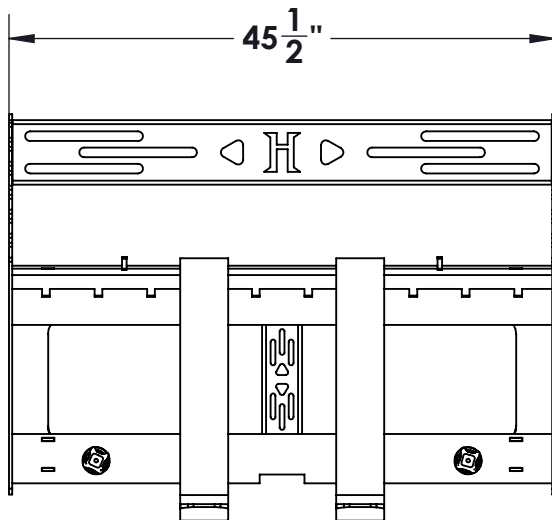


Homestead Implements Pinnacle Series Pallet Forks Bale Spear Front End

Technical Specification

Model Number	HPPFBSFEL
Weight	415 lbs. (188 kg)
Lift Capacity (Pallet Forks)	3500 lbs (1588 kg) <i>Refer to Tractor Manual for Safe Lifting Capacity</i>
	Lift capacity is based on load being 20" (50 cm) from face of Tine (Load must be centered between both forks)
Class- Forks	Class-II
Fork Width	4" (10cm)
Fork Length	48" (1.22m)
Lift Capacity 24" From Frame Bale Spear (EA.)	3000 lbs (1360 kg) Refer to Tractor Manual for Safe Lifting Capacity
Spear Diameter	Conus 2 (4.4 cm)
Number of Spears	2 Spears
Overall Spear Length	49" (1.24 m.)
Spear Length - Frame to Tip	44 3/8" (1.13 m.)
Frame Width	45.5" (1.16m)
Frame Height	28.15" (71.5cm)
Fork Positioning Lock	Spring Loaded Pin
Hitch Type	Universal Quick-Attach Hitch (SSQA)



CUSTOMER APPROVAL :

DATE :



THIS DRAWING, WHICH CONTAINS PROPRIETARY INFORMATION, IS THE PROPERTY OF JAMESTOWN ADVANCED PRODUCTS CORPORATION. IT SHALL NOT BE REPRODUCED IN ANY MANNER NOR DISCLOSED TO THIRD PARTIES WITHOUT WRITTEN PERMISSION OF JAMESTOWN ADVANCED PRODUCTS CORPORATION.

DATE : 11/10/2025

PRODUCT PART NUMBER : HPPFBSFEL

REV. NO.

PRODUCT DESCRIPTION :
PALLET FORK BALE SPEAR-FRONT END LOADER

2855 GIRTS ROAD
JAMESTOWN, NY 14701