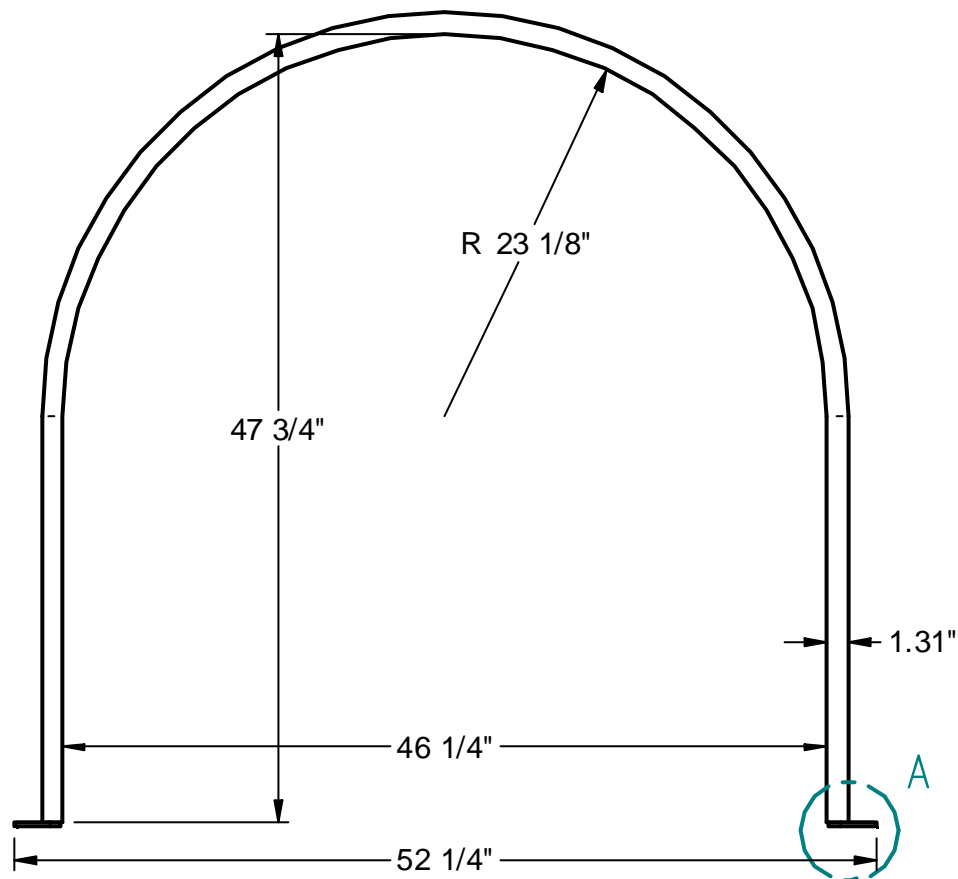
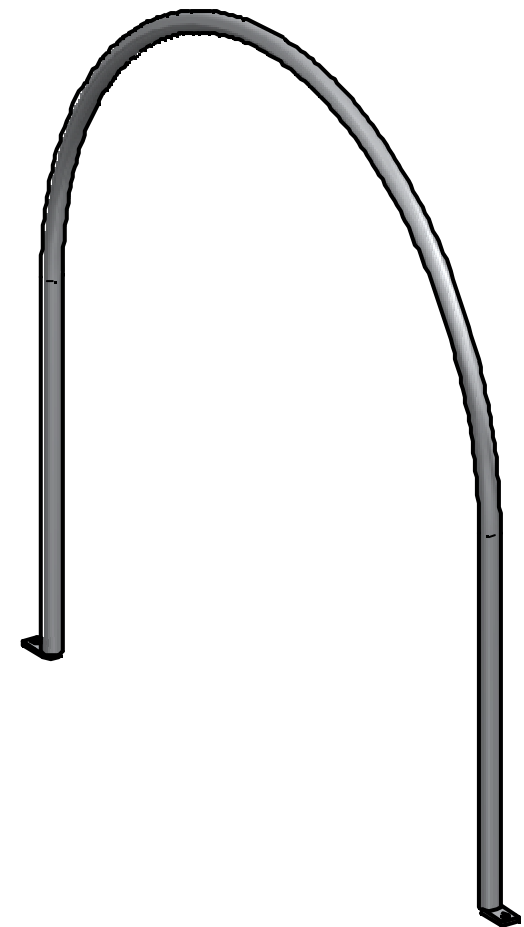
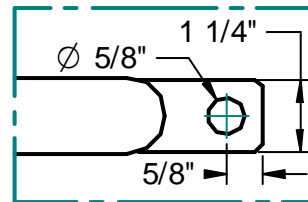
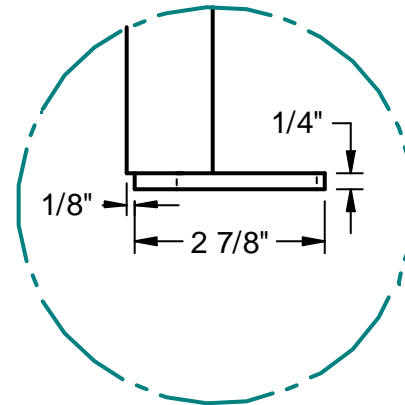



DETAIL B



DETAIL A



 CHEMICAL CONTAINERS, INC. LAKE WALES, FLORIDA, 33859 TEL: 863-638-1407 FAX: 863-638-1863			
TITLE			
425, 525, 725, 1025 H-LEG BAND ST			
SIZE	DWG NO	REV	
B	ST6210	00	
COMPONENT DRAWING			
SCALE: N.A.	LAYOUT SHEET	SHEET 1 / 1	