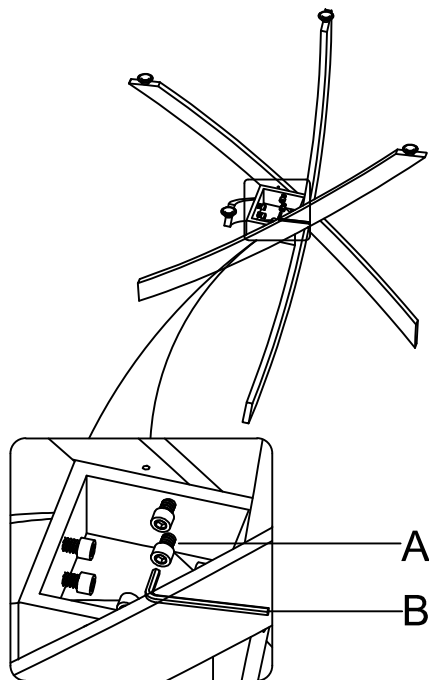


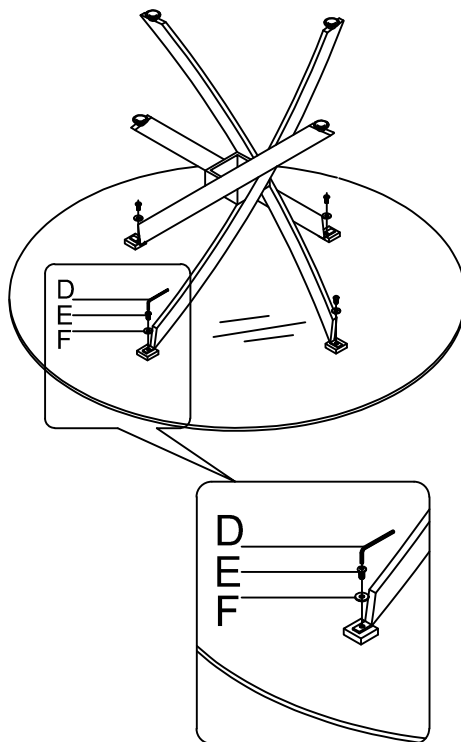
# ASSEMBLY INSTRUCTION

ITEM NAME:ECLIPSE NUMBER: G5142-41/G5142-47 TABLE

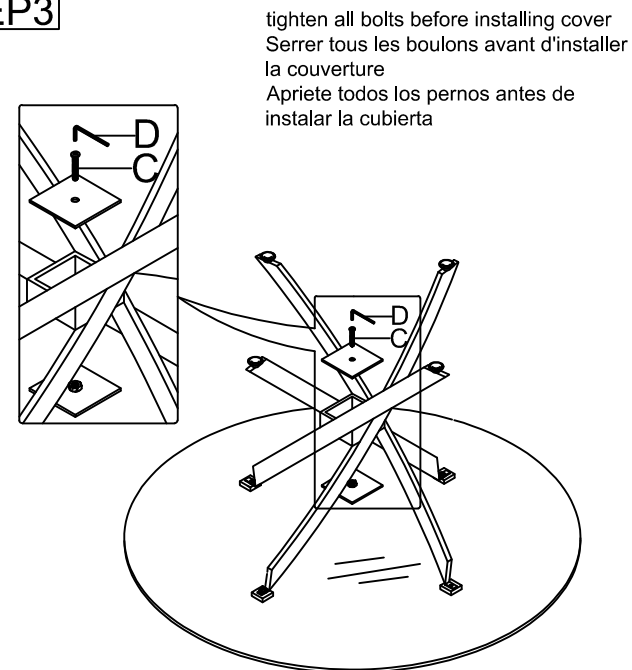
## STEP1



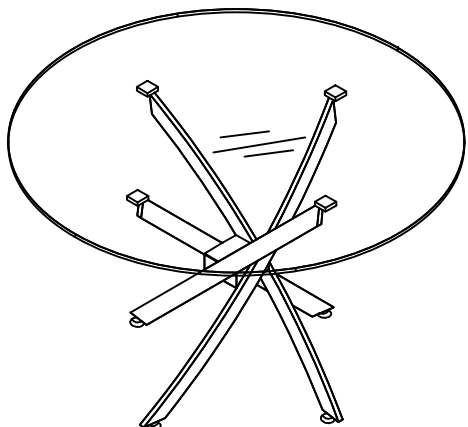
## STEP2



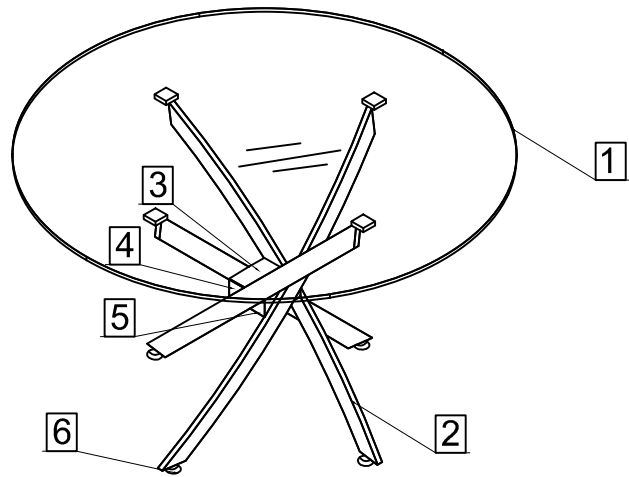
## STEP3

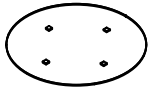


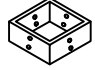




## STEP4



G5142-47		HDWR	
A		8Pcs	M8*15mm
B		1Pc	6mm
C		1Pc	M8*40mm
D		1Pc	5mm
E		4Pcs	M8*10mm
F		4Pcs	Φ8x16mm



		Part Description	Quantity
G5142-41	1	TOP Glass 	1
G5142-47	2	Leg 	4
	3		1
	4		1
	5		1
	6	 M8x12-Φ32x35mm	4
	HDWR	HARWARE PACK	