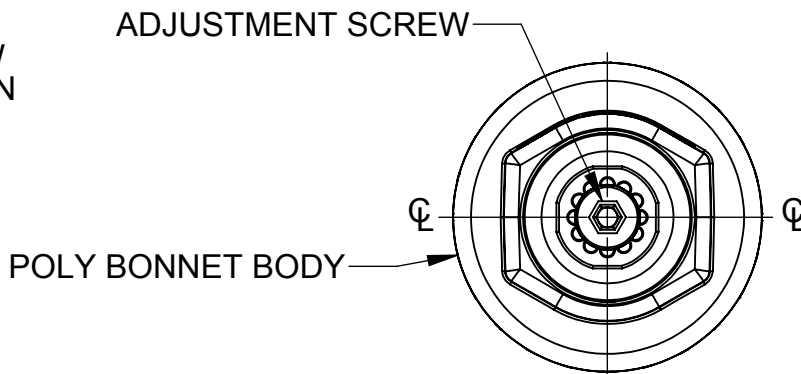


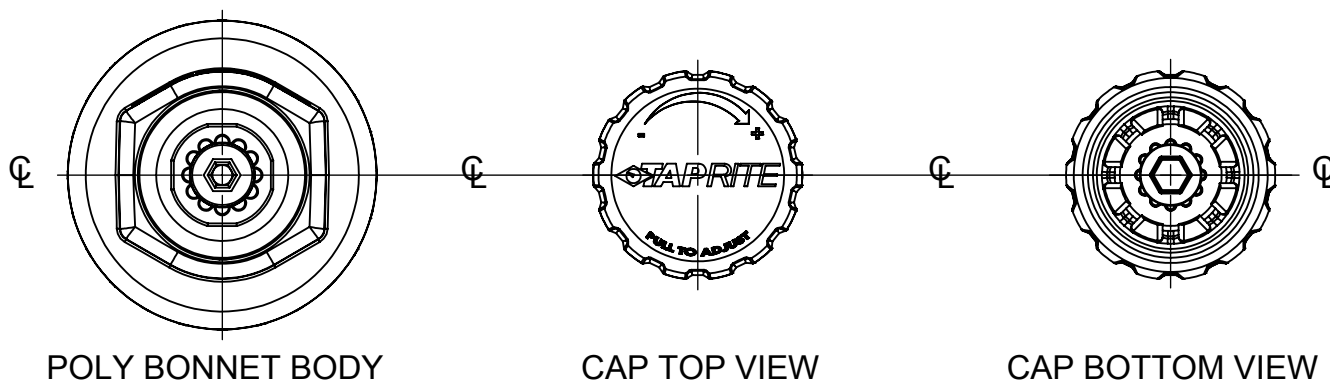
740-300A POLY BONNET ASSEMBLY

ASSEMBLY INSTRUCTIONS

1. ALIGN ADJUSTMENT SCREW WITH POLY BODY AS SHOWN (HEX POINTS ALIGNED WITH CENTER LINE)



2. ALIGN BONNET CAP AS SHOWN (DIAMOND LOGO ALIGNED ON CENTER LINE)



3. PLACE BONNET CAP OVER BONNET BODY AND PRESS ON OVER FIRST SNAP ONLY. (SECOND SNAP LOCKS THE CAP IN PLACE)

NOTE:

TO ENSURE PROPER ASSEMBLY, IT IS RECOMMENDED TO USE AN ARBOR PRESS FOR STEP 3

