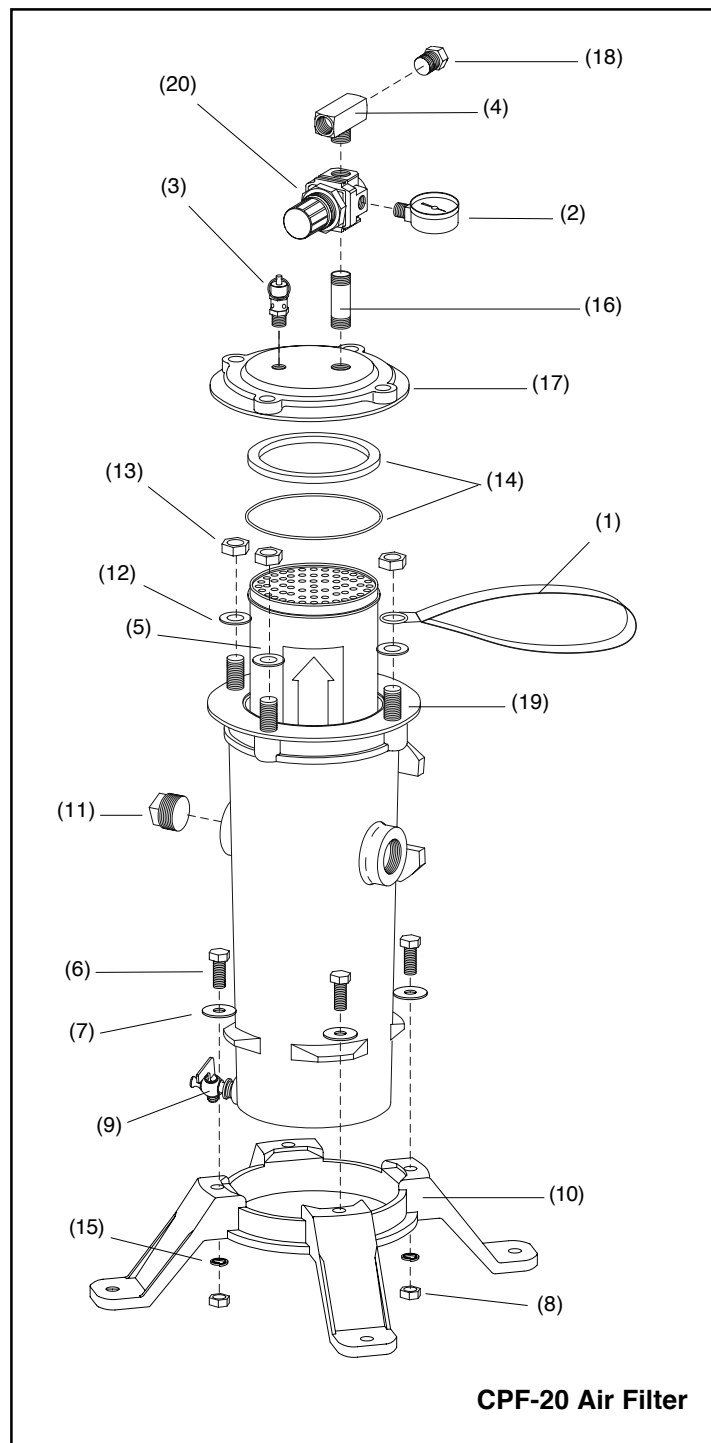


### APPLICATION ALERT

CPF breathing air filters do not remove carbon monoxide (CO).

#### FOR ONE OR TWO RESPIRATORS

No.	Description	Stock No.	Wt.
(-)	<b>CPF-20 Breathing Air Filter</b> with regulator .....	03578	21
(-)	<b>CPF-20 Breathing Air Filter</b> without regulator .....	03577	19
(-)	Regulator kit includes items noted with asterisk .....	03582	1.5
(-)	Filter cartridge adaptor kit: permits use of 03547 air filter cartridge with filter models 41-AO, 41-P4, AAF .....	03569	1
1.	Handle (strap) .....	03623	<.5
2.	Pressure gauge .....	00024	<.5
3.	Pressure relief valve .....	01909	<.5
4.	*Tee, 3/8" NPT, male branch .....	22843	<.5
5.	Filter cartridge .....	03547	4
6.	3/8" NC x 1" hex head cap screw .....	03252	<.5
7.	Washer, 3/8" ID x 1 1/4" OD .....	03310	<.5
8.	3/8"-NC hex nut .....	03311	<.5
9.	1/4" petcock .....	01993	<.5
10.	Base bracket .....	03557	1
11.	Pipe plug, 1" NPT .....	03532	<.5
12.	1/2" SAE flat washer .....	03515	<.5
13.	1/2"-NC hex nut .....	03511	<.5
14.	Gasket and o-ring kit .....	08942	<.5
15.	3/8" dia. lock washer .....	03318	<.5
16.	Nipple, 3/8" NPT x 2", brass .....	03720	<.5
17.	Air filter cap .....	03584	2
18.	*Plug, 3/8" NPT, brass .....	03536	<.5
19.	Stud, filter cap .....	03545	<.5
20.	*Pressure regulator .....	03594	1



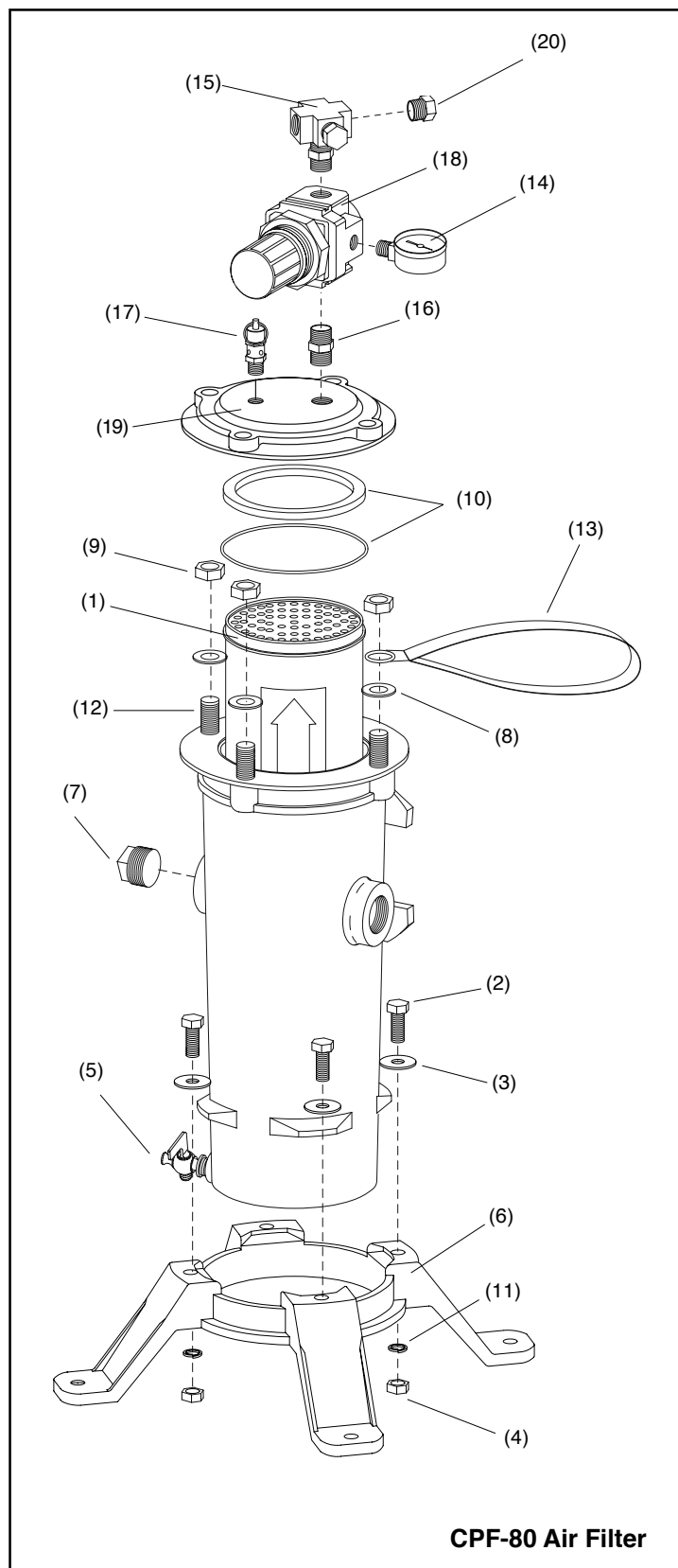
CPF-20 Air Filter

### APPLICATION ALERT

CPF breathing air filters do not remove carbon monoxide (CO).

#### FOR ONE TO FOUR RESPIRATORS

Item Description	Stock No.	Wt.
(-) CPF-80 Breathing Air Filter with regulator .....	03527	22
(-) Filter cartridge adaptor kit: permits use of 03547 air filter cartridge on filter models 41-AO, 41-P4, AAF .....	03569	1
(-) Pressure regulator conversion kit: converts old style CPF 80 cap to new style. Includes: handle strap, cross manifold, nipple, pressure regulator and cap .....	23477	4
1. Cartridge, CPF filter .....	03547	4
2. Cap screw, $\frac{3}{8}$ -NC x 1" hex head .....	03252	<.5
3. Washer, 1 $\frac{1}{4}$ " OD .....	03310	<.5
4. Nut, $\frac{3}{8}$ -NC .....	03311	<.5
5. Petcock, $\frac{1}{4}$ " .....	01993	<.5
6. Base bracket .....	03557	1
7. Plug, 1" NPT .....	03532	<.5
8. Washer, $\frac{1}{2}$ " SAE flat .....	03515	<.5
9. Nut, $\frac{1}{2}$ -NC .....	03511	<.5
10. Gasket and O-ring kit .....	08942	<.5
11. Washer, $\frac{3}{8}$ " lock .....	03318	<.5
12. Stud, $\frac{1}{2}$ -NC x 2" .....	03545	<.5
13. Handle strap .....	03623	<.5
14. Pressure gauge .....	00024	<.5
15. Cross manifold, $\frac{3}{8}$ " NPT .....	22941	<.5
16. Nipple, $\frac{3}{8}$ " NPT hex .....	03596	<.5
17. Relief valve, $\frac{1}{4}$ " NPT .....	01909	<.5
18. Pressure regulator, $\frac{3}{8}$ " NPT large body .....	22939	1
19. Cap, CPF filter .....	03584	2
20. Plug, $\frac{3}{8}$ " NPT brass .....	03536	<.5



CPF-80 Air Filter