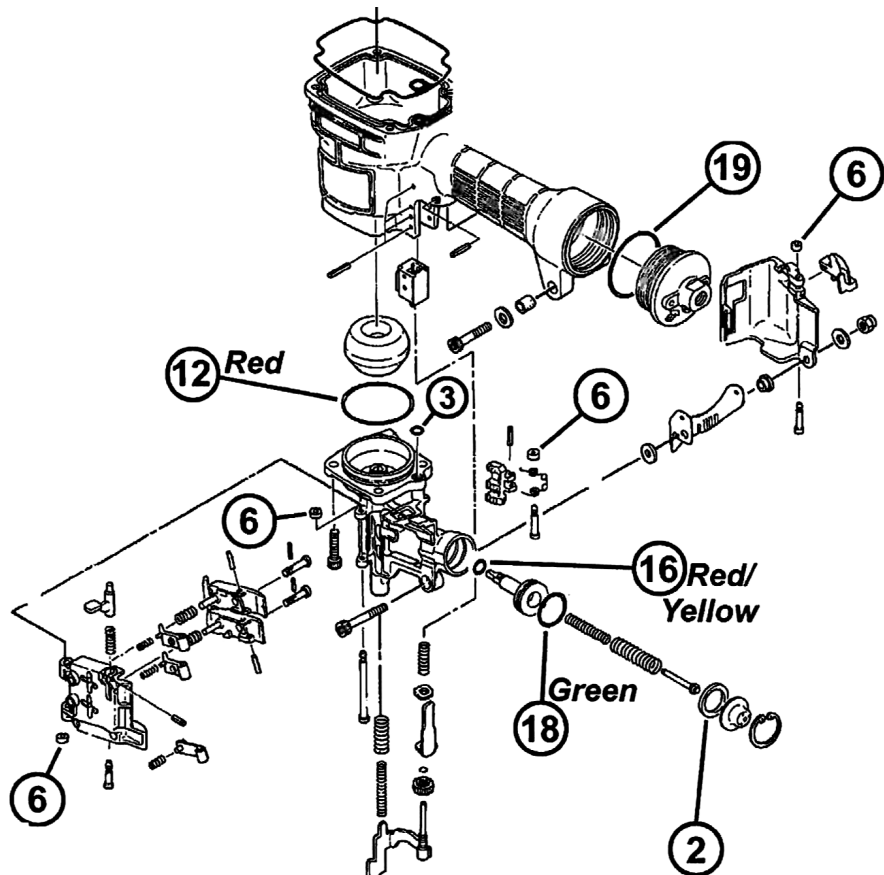
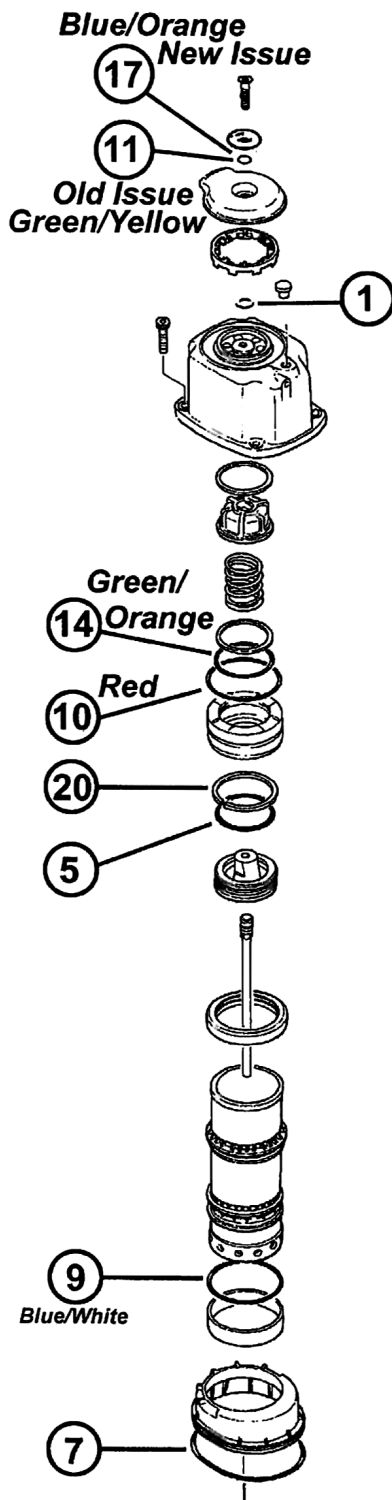


RELIABILITY™

Provin



Trigger Valve Exploded View

TVA1	TVA6
<p>4</p> <p>Blue/Orange</p> <p>17</p> <p>Purple/ Green</p> <p>15</p> <p>Purple</p> <p>23</p> <p>Blue/ Yellow</p> <p>8</p> <p>Purple/ Green</p> <p>13</p>	<p>4</p> <p>21</p> <p>Blue</p> <p>22</p> <p>Purple/ Green</p> <p>15</p> <p>Purple</p> <p>23</p> <p>Blue/ Yellow</p> <p>8</p> <p>Purple/ Green</p> <p>13</p>

*Generously grease all O-rings at time of assembly

Note: Read and understand the safety information printed on the reverse side before repairing any tools.
 Nota: Lea y comprende la información de seguridad impresa al reverso antes de reparar cualquier herramienta.

6/8/2005

Exploded View and O-ring List for
BOSTITCH N65CP

VL-BO-39

CAUTION**CAUTION****CAUTION**

ALWAYS WEAR SAFETY GLASSES WITH SIDE SHIELDS WHEN USING PNEUMATICALLY OPERATED FASTENER DRIVING TOOLS

NEVER POINT THE TOOL AT YOURSELF OR ANYONE ELSE

NEVER BYPASS OR REMOVE ANY SAFETY DEVICE

ALWAYS FOLLOW THE ORIGINAL MANUFACTURE'S SAFETY AND SERVICE INSTRUCTION

NEVER ATTEMPT TO SERVICE OR REPAIR A PNEUMATICALLY OPERATED TOOL WITH THE COMPRESSES AIR LINE CONNECTED TO THE TOOL

NEVER LEAVE A PNEUMATICALLY OPERATED TOOL UNATTENDED WITH THE COMPRESSES AIR LINE CONNECTED

ALWAYS FOLLOW THE ORIGINAL TOOLS MANUFACTURE'S DISASSEMBLY, ASSEMBLY, AND TOOL INSPECTION PROCEDURES

PRECAUTION**PRECAUTION****PRECAUTION**

SIEMPRE USE LENTES DE SEGURIDAD CON PROTECTORES LATERALES AL USAR HERRAMIENTAS DE IMPULSO CON SUJETADOR DE OPERACIÓN NEUMÁTICA

NUNCA APUNTE A SI MISMO O A OTRA PERSONA CON LA HERRAMIENTA

NUNCA EVITE O RETIRE ALGÚN DISPOSITIVO DE SEGURIDAD

SIEMPRE SIGA LAS INSTRUCCIONES DE SEGURIDAD Y SERVICIO DEL FABRICANTE ORIGINAL DE LA HERRAMIENTA

NUNCA INTENTE HACER MANTENIMIENTO O REPARAR UNA HERRAMIENTA DE OPERACIÓN NEUMÁTICA CON LA LINEA DE AIRE COMPRIMIDO CONECTADA A LA HERRAMIENTA

NUNCA DEJE SIN ATENCIÓN UNA HERRAMIENTA DE OPERACIÓN NEUMÁTICA CON LA LINEA DE AIRE COMPRIMIDO CONECTADA

SIEMPRE SIGA LOS PROCEDIMIENTOS DE DESMONTAJE, MONTAJE, E INSPECCIÓN DEL FABRICANTE ORIGINAL DE LA HERRAMIENTA

Contents of O-Ring Kit KT-BO-650

Key Number	Quantity	Performance Provin, Inc		Equivalent Bostitch® Part Number
		Part Number	Color Code	
1	1	BP-BO-210		HH 21002
2	1	BP-BO-877		CN 31877
3	1	OR-PP-142		HH 11120
4	1	OR-PP-156		86459
5	1	OR-PP-182		MRG037817
6	4	OR-PP-332S		854004
7	1	OR-PP-586		MRG066435
8	1	OR-PP-929	Blue / Yellow	MRG008819
9	1	OR-PP-1163	Blue / White	104946
10	1	OR-PP-1008	Red	MRG052526
11	1	OR-PP-1012	Green / Yellow	HH 11132
12	1	OR-PP-1023	Red	MRG047015
13	2	OR-PP-6293	Purple / Green	MRG002514
14	1	OR-PP-1085	Green / Orange	MRG041630
15	1	OR-PP-6219	Purple / Green	MRG005819
16	1	OR-PP-1107	Red / Yellow	HH 11124
17	2	OR-PP-1116	Blue / Orange	MRG019824
18	1	OR-PP-1117	Green	851437
19	1	OR-PP-1162	White / Orange	MRG044331
20	1	PR-PP-268		CN 33268
21	1	OR-PP-150		HH 11151
22	1	OR-PP-1020	Blue	851554
23	1	OR-PP-1316	Purple	MRG006819

Note 2: Only used on old issue tools.

Note 3: Only one used on old issue tools.

O-Ring Kit

KT-BO-650

For use on the following tool models.
Kit contains all O-Rings in these tools.

BOSTITCH N65CP

