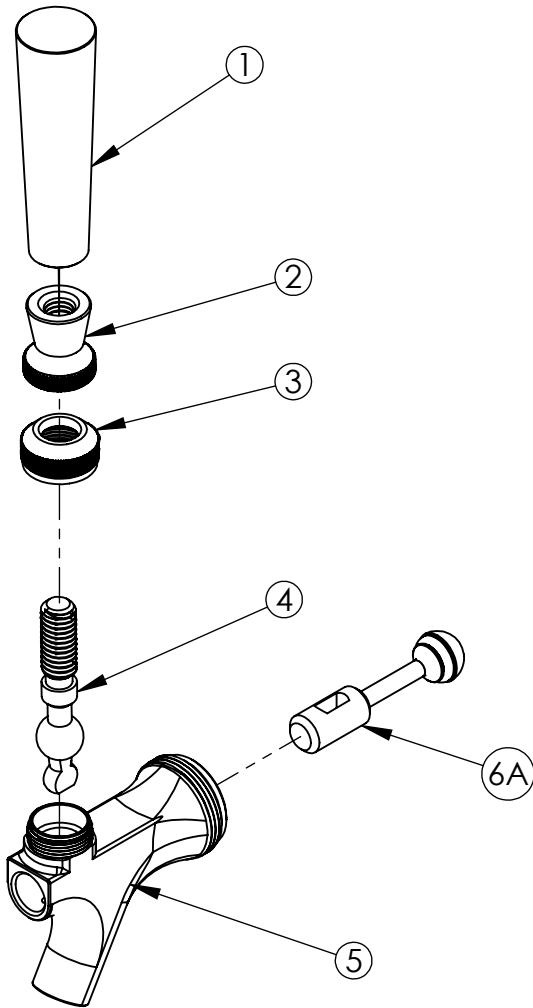




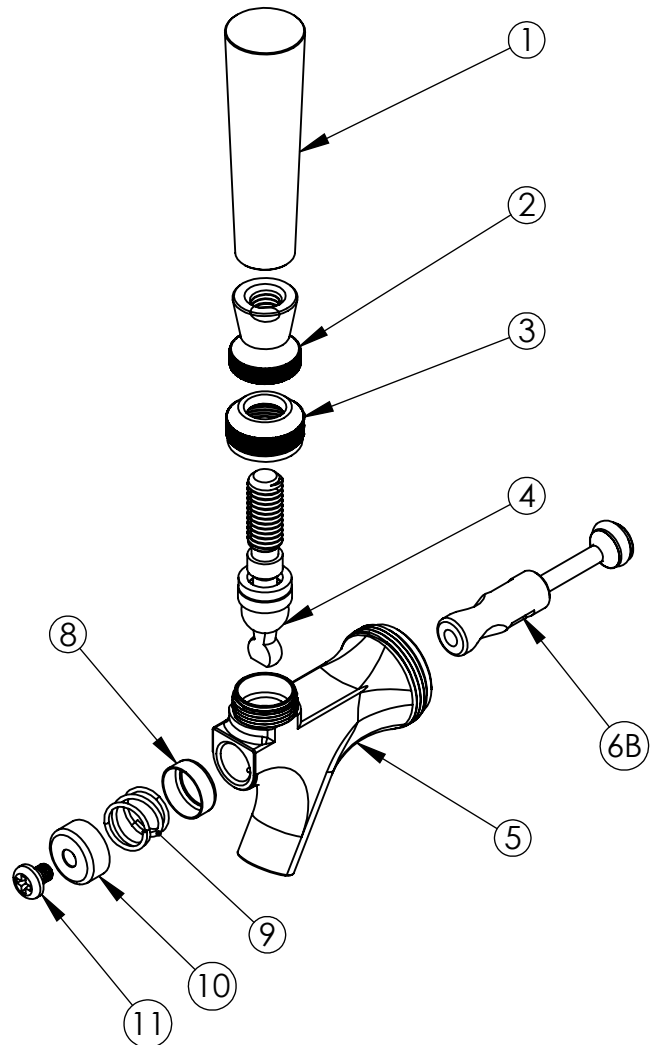
3248 NORTHWESTERN DR. SAN ANTONIO, TX 78238

INSTRUCTIONS

FOR CONVERTING BF100X (STANDARD FAUCET) INTO A BF100XSC (SELF-CLOSING FAUCET)



BF1001 / BF1002



BF1001SC / BF1002SC

1. Disassemble standard faucet (BF100X) as shown.
2. Item# 4 has Friction & Ball washers still assembled.
3. Items # 1 thru 5 will be reused.
4. To create Self-Closing Faucet (BF100X), reassemble as shown using items# 6B thru 10 from Kit.

NOTE:

1. Items# 1,2 & 3 should be hand tight only.
2. Item 6A can be discarded.