

Elliptical Head Plow Bolts

Nominal ϕ	ϕ of Full Size Body		ϕ of Head		Feed Thickness	Depth of Square and Head	Width of Square	Bottom Square Angle	Bottom Square Depth	Radius on Corners of Square	Minimum Across Corners	Thread Length
	Max	Min	Max	Min								
3/8"	0.375	0.360	0.811	0.689	0.035	0.368	0.387	45	0.143	0.112	0.047	1.375
7/16"	0.438	0.421	0.960	0.803	0.060	0.436	0.450	45	0.171	0.132	0.047	1.500

TOLERANCES UNLESS OTHERWISE SPECIFIED (INDICATED BY INCHES)

** All other dimensions to comply with ASME B18.9-2012

REVISIONS

Decl Incl	X. ± 0.063"	X.X ± 0.031"	X.XX ± 0.016"	X.XXX ± 0.008"	Angular ± 30' (0.5°)
1					
2					

REV.	DATE	DESCRIPTION	BY	CHKD
1	08/10/17	Added thread length max. R & AC changed min angle from 30° to 25° & updated dimension table to correspond with ASME B18.9-2012	JFE	OKD
2				



OVER HEAD 1/8" DIA, INC
QR5 = 7/16" DIA
GR8 = 50,000 EA

ZEHNDERMANAGEMENT GROUP

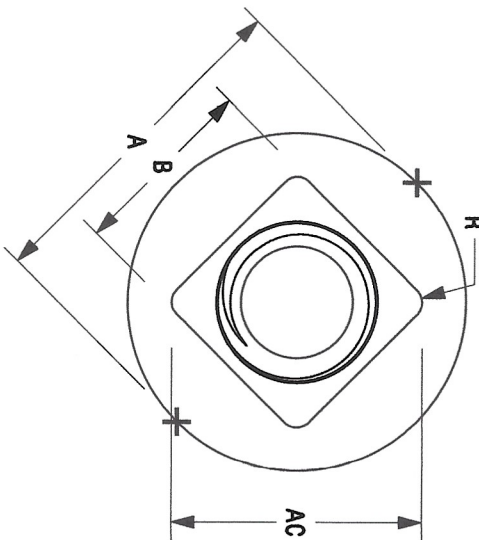
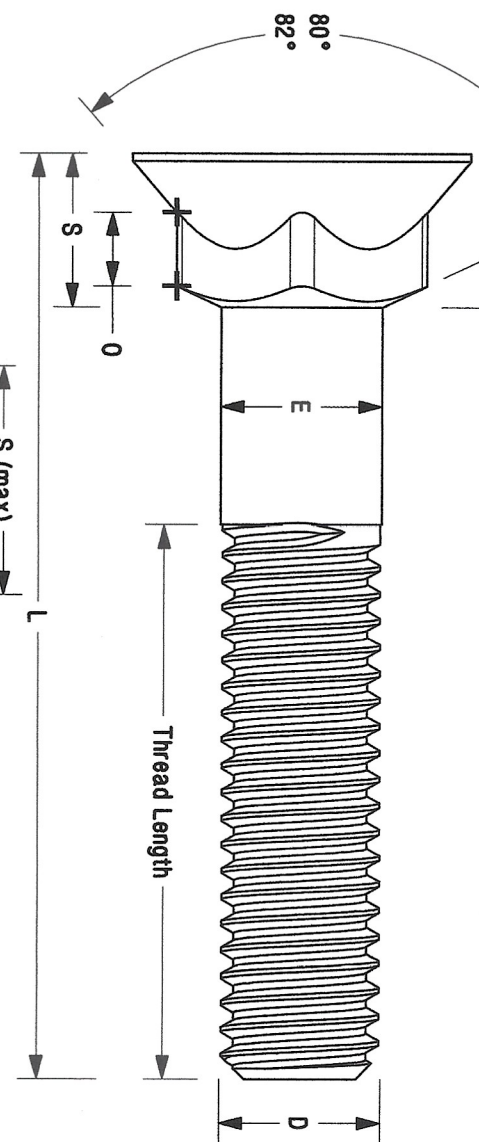
ZEHNDERMANAGEMENT GROUP

SCALE: NONE

Material: _____

Detail

REV. A



7/16" Oversized Head Plow Bolt

D	E	A		F	S	B		K		O		R	AC	Thread Length				
Nominal \varnothing	\varnothing of Full Size Body	Max	Min	Feed Thickness	Depth of Square and Head	Max	Min	Width of Square	Bottom Square Angle	Max	Min	Radius on Corners of Square	Minimum Across Corners	Max	Min			
7/16"	0.438	0.421	0.945	0.890	0.831	0.088	0.433	0.365	0.515	0.500	45	25	0.198	0.152	0.047	0.688	1.500	1.125

TOLERANCES UNLESS OTHERWISE SPECIFIED (INDICATED BY INCHES)

Decimal	X. ± 0.063"
	X.X ± 0.031"
	X.XX ± 0.016"
	X.XXX ± 0.008"
Angular	± 30' (0.5°)

REVISIONS

PT # 102 = 7/16"

FIRST ISSI
DRAWN BY
CHECKED B
APPROVED E



ZEHNDERMANAGEMENT GROUP

#3 oversized head plow bolt

All other dimensions to comply with ASME B18.9-2012

LTR DATE CHANGE BY OKD

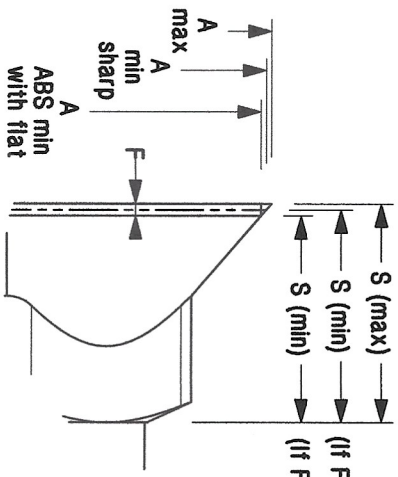
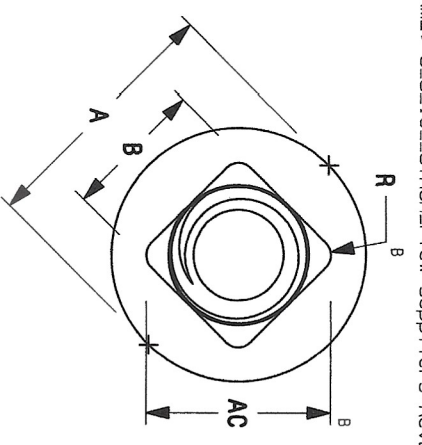
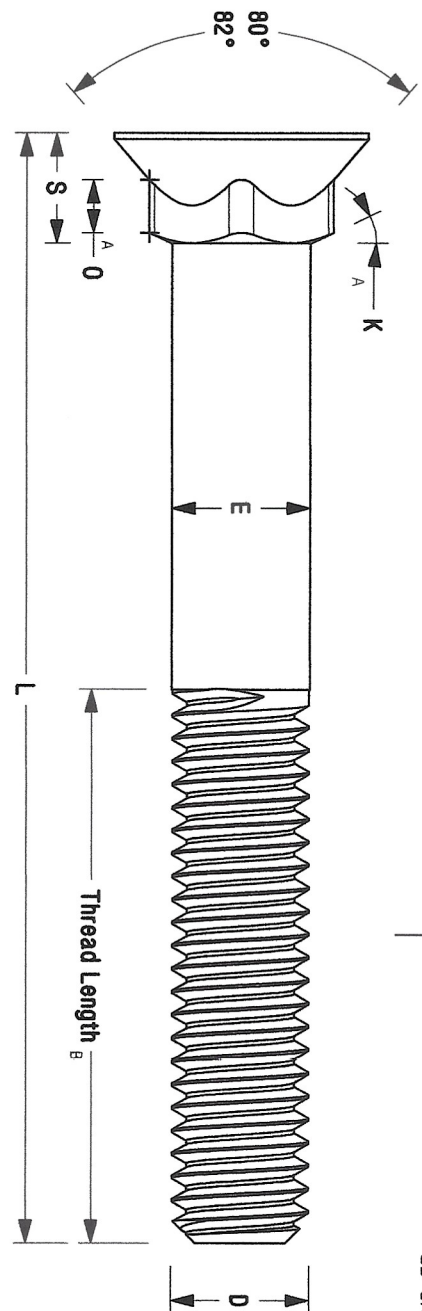
2 3 4 5 6



ZEHNDERMANAGEMENT GROUP

SCALE: NONE

Material:



3/8" #3 Plow Bolt

D	E	A	F	S	B	K	O	R	AC	Thread Length									
Nominal Ø	Ø of Full Size Body		Ø of Head		Depth of Square and Head		Width of Square		Bottom Square Angle		Bottom Square Depth		Radius on Corners of Square		Minimum Across Corners		Thread Length		
	Max	Min	Max	Min Sharp	Abs. Min with Flat	Max	Min	Max	Min (Basic)	Max	Min	Max	Min	Max	Min	Max	Min	Max	Min
3/8"	.375	.380	Max	0.708	0.671	0.624	0.050	0.312	0.262	0.387	0.375	45	25	0.143	0.112	0.047	0.491	1.375	1.000

TOLERANCES UNLESS OTHERWISE SPECIFIED (INDICATED BY INCHES)

Decimal	X. ± 0.063"
	X.X ± 0.031"
	X.XX ± 0.016"
	X.XXX ± 0.008"
Angular	± 30' (0.5°)

REVISIONS

REV.	DATE	DESCRIPTION
1	09-08-16	Tolerances added, changed from 45 (max) & 0.112 (min)
2		Added thread length max, R, & AC, changed min angle from 30° to 25° & updated dimension table to correspond with ASME B18.9-2012

ZMG #3 HEAD PLBOLTS

ZEHNDERMANAGEMENT GROUP

INC

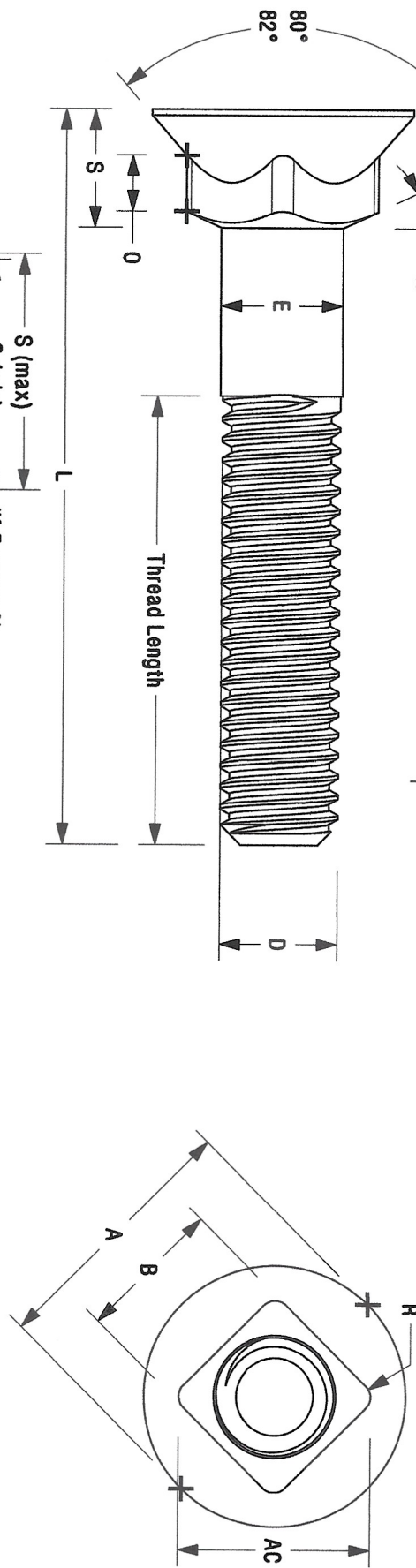


REV.	1	DATE	09-08-16	BY	JFE	CHKD	JFE
REV.	2	DATE		BY	JFE	CHKD	JFE

SCALE: NONE

3/0-10-PLUW-DUILL-REV.B

Waterfall:



D	E	A		F	S		B		K		O		R	AC	Thread Length	
		Max	Min		Max	Min	Max	Min	Max	Min	Max	Min			Max	Min
Nominal \varnothing	\varnothing of Full Size Body	\varnothing of Head		Feed Thickness	Depth of Square and Head		Width of Square		Bottom Square Angle		Bottom Square Depth		Radius on Corners of Square	Minimum Across Corners	Thread Length	
		Max	Min		Max	Min	Max	Min	Max	Min	Max	Min			Max	Min
3/8"	0.375	0.360	0.286	0.058	0.380	0.322	0.450	0.438	45	25	0.171	0.132	0.047	0.580	1.375	1.000

3/8" Oversized Head Plow Bolt

TOLERANCES UNLESS OTHERWISE SPECIFIED (INDICATED BY INCHES)

Decimal	X. ± 0.063"
	X.X ± 0.031"
	X.XX ± 0.016"
	X.XXX ± 0.008"
Angular	± 30' (0.5°)

REVISIONS

P# 107 = 3/8"

ZMG #3 Oversized Head Plow Bolt GAS

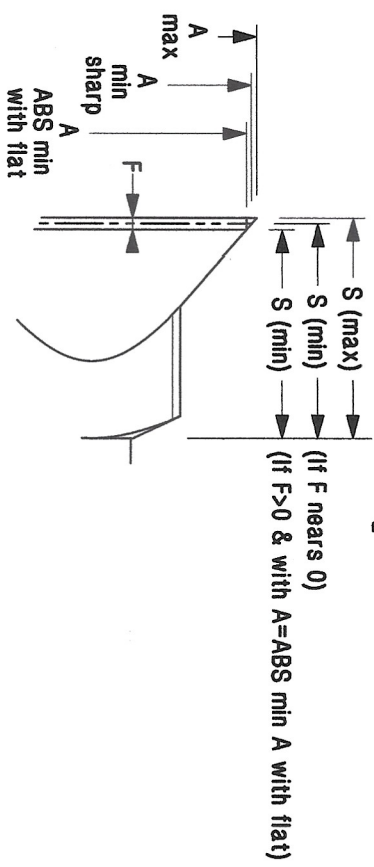
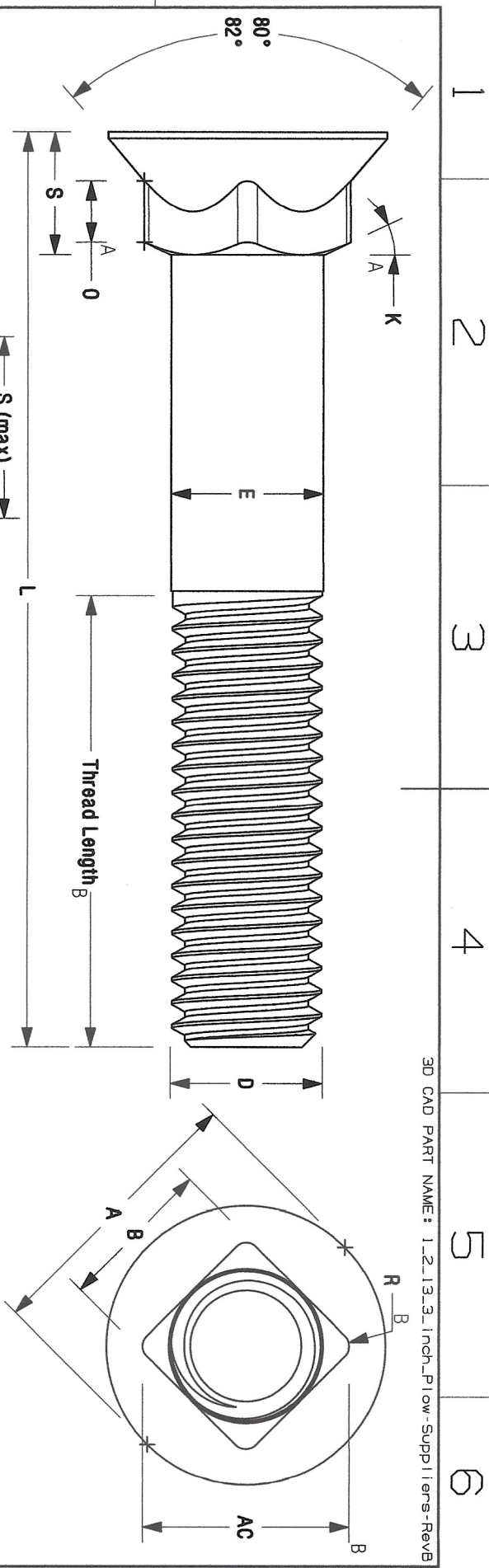
ZEHNDERMANAGEMENT GROUP

INC

ZEHNDERMANAGEMENT GROUP

LTR	DATE	CHANGE	BY	OKD	SCALE: NONE	Material:	REV.

1 2 3 4 5 6



D	E	A		F	S		B		K		O		R	AC	Thread Length			
		Max	Min		Max	Min	Max	Min	Max	Min	Max	Min			Max	Min		
1/2"	0.500	0.483	0.945	0.880	0.831	0.068	0.417	0.349	0.515	0.500	45	25	0.198	0.152	0.047	0.888	1.625	1.250

TOLERANCES UNLESS OTHERWISE SPECIFIED (INDICATED BY INCHES) All other dimensions to comply with ASME B18.9-2012

REVISIONS

REV	DATE	DESCRIPTION	BY	CHKD
1	08-10-17	Added thread length max, R, & AC; changed min angle from 30° to 25° & updated dimension table to correspond with ASME B18.9-2012	JFE	JFE
2	09-07-16	Tolerances added, changed from 45 (max) & 0.152 (min)	JFE	JFE

PT# 108 = 1/2"

#3 Hexo Plow Bolt

1/2"-13X

INC



ZEHNDERMANAGEMENT GROUP

ZEHNDERMANAGEMENT GROUP



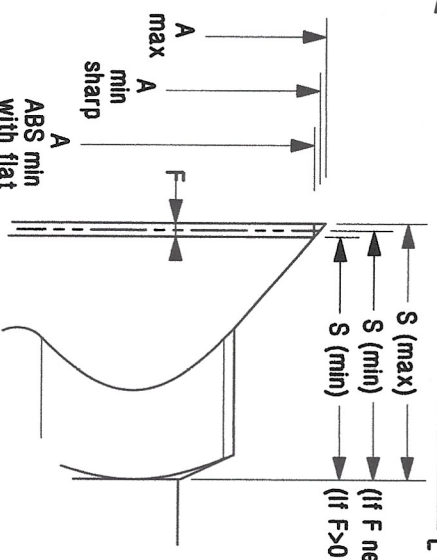
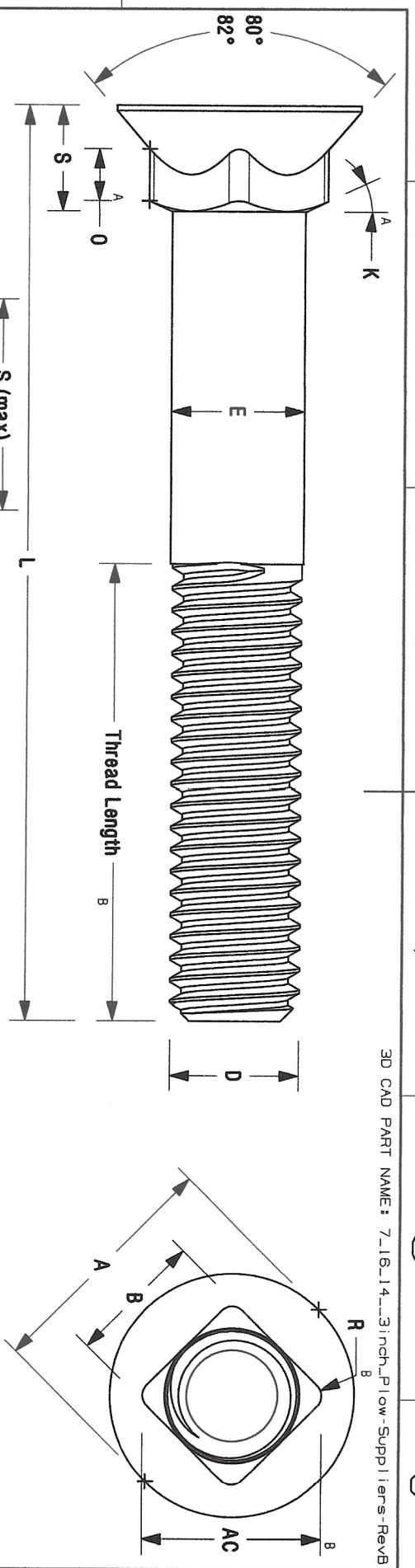
ZEHNDERMANAGEMENT GROUP

SCALE: NONE

Material:

REV: B

Detail



7/16" #3 Plow Bolt

Nominal ϕ	D		E		A		F	S		B		K		O		R	AC	Thread Length	
	Max	Min	Max	Min	Max	Min	Max	Max	Max	Min	Max	Min	Max	Min	Max	Max	Min	Max	Min
7/16"	0.438	0.421	0.826	0.791	0.729	0.058	0.364	0.306	0.450	0.438	45	25	0.171	0.132	0.047	0.580	1.500	1.125	

TOLERANCES UNLESS OTHERWISE SPECIFIED (INDICATED BY INCHES)

Decimal	X. ± 0.063"
	X.X ± 0.031"
	X.XX ± 0.016"
	X.XXX ± 0.008"
Angular	± 30' (0.5°)

REVISIONS

REV.	DATE	DESCRIPTION
1	09-08-16	Tolerances added, changed from 45 (max) & 0.132 (min)

All other dimensions to comply with ASME B18.9-2012

#3 Hex Plow Bolts

ZMG
ZEHNDERMANAGEMENT GROUP

7/16" - 14 X

ZMG
ZEHNDERMANAGEMENT GROUP

SCALE: NONE

Material: **B**

REV. **B**