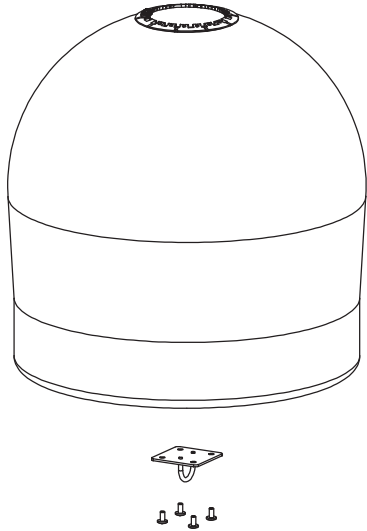




AQUA LANTERN

SOLAR LIGHTED BUOY - "LIGHT UP THE LAKE"

ASSEMBLING YOUR AQUA LANTERN SOLAR LIGHTED BUOY

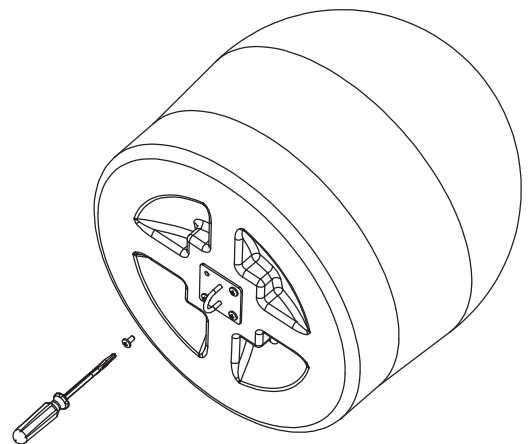


STEP 1

Remove the box contents and locate the flanged anchor bracket and four mounting screws. 4 AA rechargeable batteries are included and have been installed at the factory.

STEP 2

Locate the four threaded holes on the bottom of the buoy. Using a Flathead screwdriver, attach the flanged anchor bracket to the bottom of the buoy using the screws provided. CAUTION: Do Not Over-Tighten Mounting Screws!

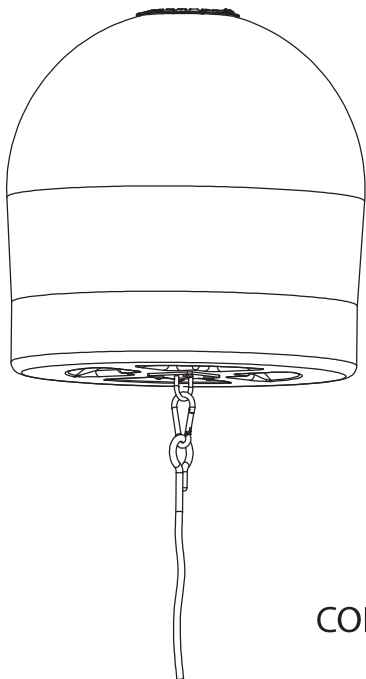
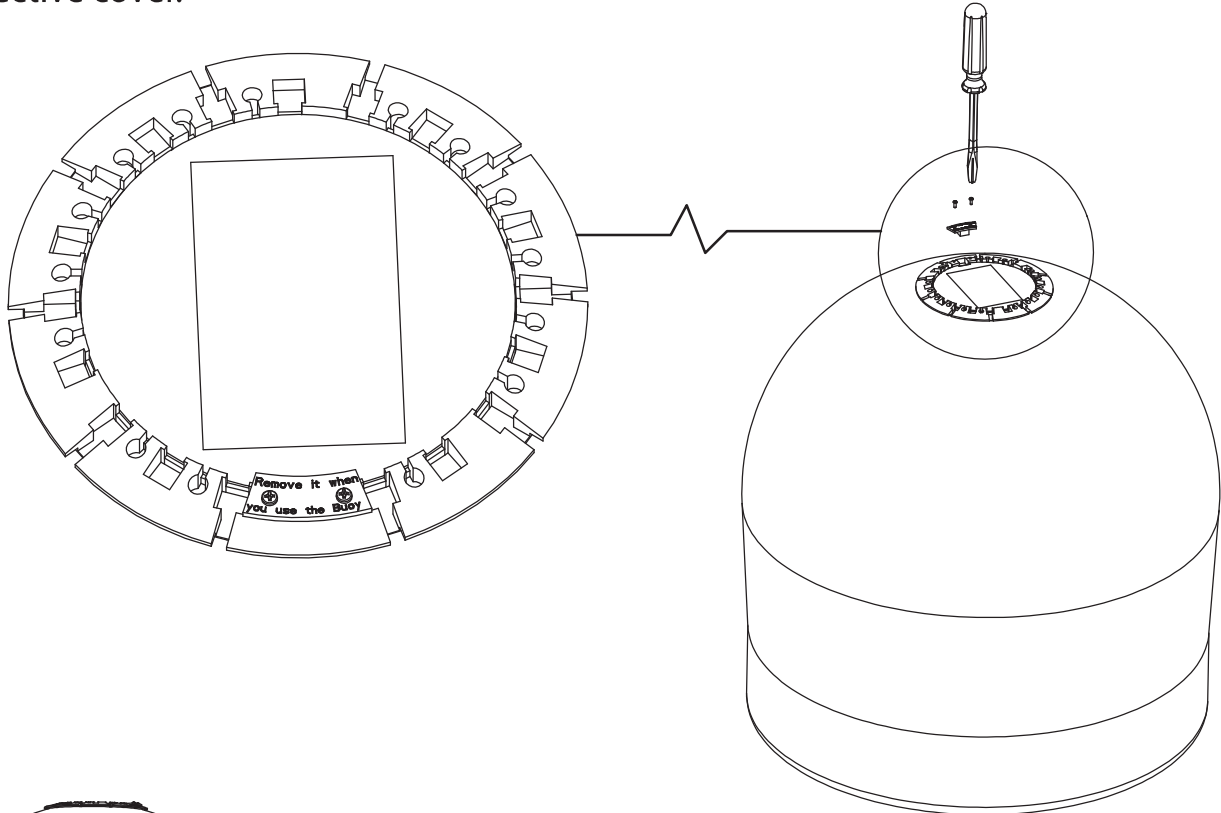


PS PARALLAX®
POWER
SUPPLY
by Parallax Group Inc.

ASSEMBLING YOUR BUOY (Cont.)

STEP 3

Locate the protective cover on top of the solar generator. Under the protective cover, (REMOVE THIS BEFORE USE), is a magnet; using a Phillips screw driver, remove the two small screws and the protective cover to expose the magnet. Touch your screwdriver to the magnet and pull the magnet out to remove it. This operation will activate the batteries for charging and normal operation. You may dispose of the magnet and protective cover.



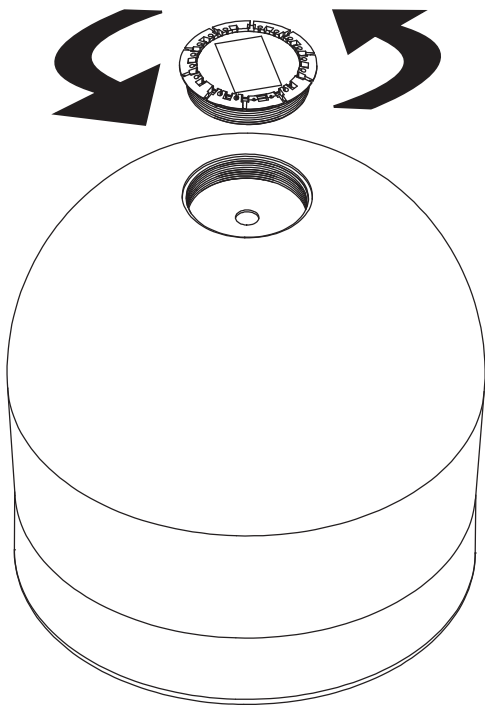
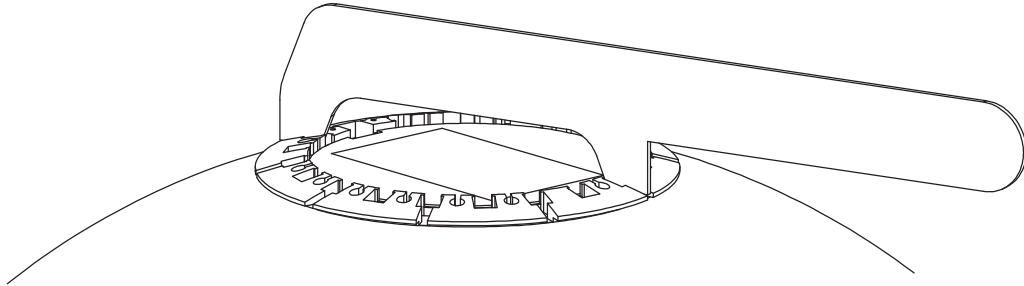
STEP 4

Use proper hardware and tethering equipment for safe anchoring of your Aqua Lantern.
ATTENTION: Anchoring hardware and equipment are not included.

CONGRATULATIONS! NOW YOU CAN LIGHT UP THE LAKE!
YOUR AQUA LANTERN IS READY FOR USE.

CHANGING BATTERIES

Uses (4) AA, 1.2V, Ni-Mh (Nickel-Metal hydride) rechargeable batteries. Ensure replacement batteries (not included) are fully charged prior to installation. Always follow battery manufacturer's instructions to insure the longest life of your store brand batteries.



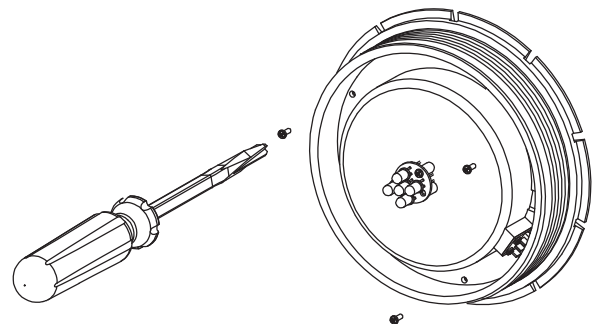
STEP 1

At least every two years you will need to replace your rechargeable batteries in the buoy's solar generator.* To replace the batteries, you will first need to remove the solar generator assembly by turning it counter-clockwise from the buoy enclosure. For easy removal, use the supplied spanner wrench by aligning with radial grooves in lid as shown. CAUTION: A rubber seal ring on the threaded lid prevents moisture from penetrating the solar compartment. Do not lose this seal ring and always make sure it is in place before threading the lid back on.

* ATTENTION: battery life will vary based on use and operating conditions

STEP 2

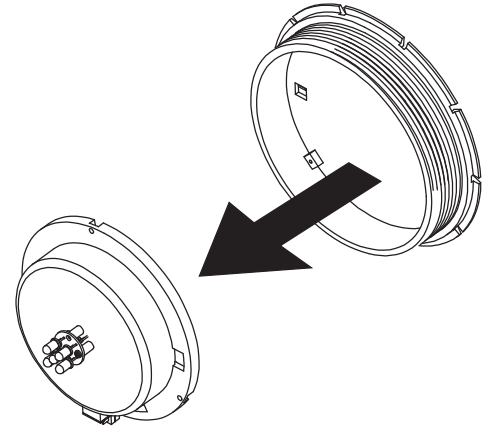
Using a Phillips screwdriver, remove the three small screws holding the battery compartment to the solar generator cover. Be careful not to damage the exposed LED's or electronics.



CHANGING BATTERIES (Cont.)

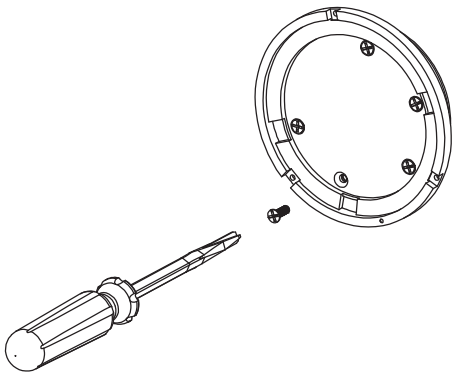
STEP 3

Upon removing the three mounting screws, pull the battery compartment away from the solar generator cover. Use care when pulling or prying the compartment away from the cover, as to not damage the exposed LED's or external wiring.



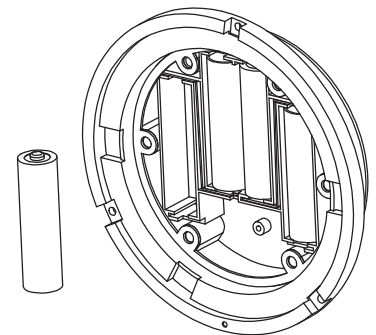
STEP 4

Turn the battery compartment over to observe the five screws holding the protective cover in place. Extract these screws and remove the cover to expose the rechargeable batteries underneath.



STEP 5

With the cover removed you may now replace the batteries. ***TIP: After installing the new batteries, and before re-assembling the solar unit, it is a good idea to take the entire solar unit to a dark room to insure the solar unit is in proper working order and the batteries have a solid connection. When the LED's light-up you have successfully replaced your batteries.*** Reverse steps 1 - 4 to re-assemble your buoys solar generator.



ATTENTION: If you live in a region where the outside temperature reaches a sustained 35 degrees in the winter months, we recommend that you remove the Aqua Lantern from the lake and store it in a warm dry place until spring. For additional information, visit "www.aqualantern.com"