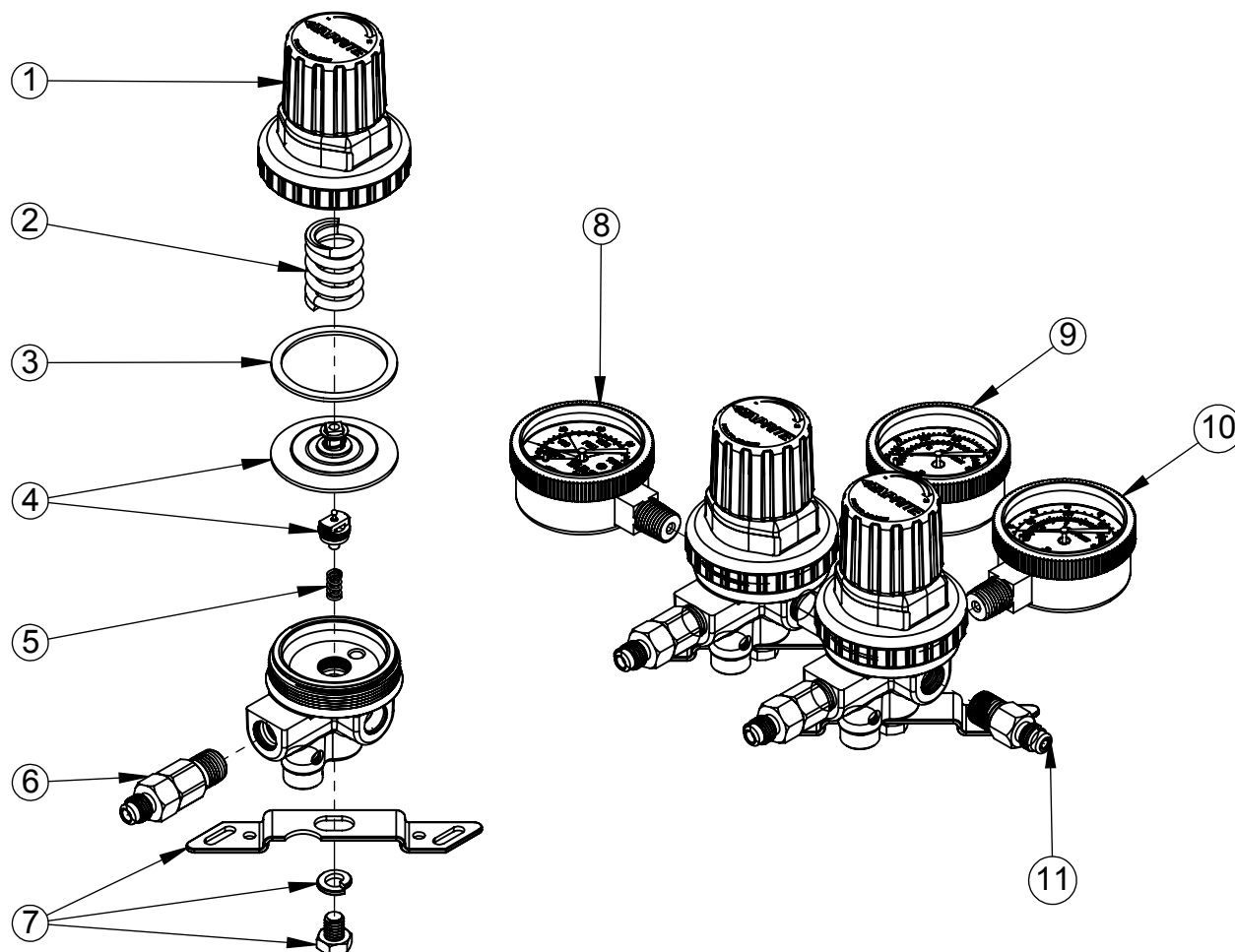


T8861-6B REGULATOR ASSEMBLY

PARTS BREAKDOWN



<u>ITEM</u>	<u>PART NO</u>	<u>DESCRIPTION</u>
1.	740-605	-POLY BONNET ASSEMBLY, BLUE CAP
2.	***	-HIGH PRESSURE DIAPHRAGM SPRING
3.	***	-DIAPHRAGM/BONNET GASKET
4.	7740-15	-DIAPHRAGM REPAIR KIT - 2" BALL/SOCKET TYPE DIAPHRAGM, CAPSULE, AND FLAT SEAL
5.	***	-CAPSULE SPRING
6.	5436A	-1/4" SAE FLARE FITTING WITH BALL CHECK
7.	43-0006-00	-METAL BRACKET KIT
8.	6603-2000	-2000 PSI GAUGE
9.	624-1	-100 PSI GAUGE
10.	5605	-160 PSI GAUGE
11.	6153F	-1/4" SAE FLARE FITTING WITH FILTER
12.	7000-6A	-6 FT HIGH PRESSURE HOSE, WITH CO2 TANK FITTING AND CGA 320 NUT (NOT SHOWN)

*** NOT NORMALLY REPLACED WHEN REPAIRING REGULATOR