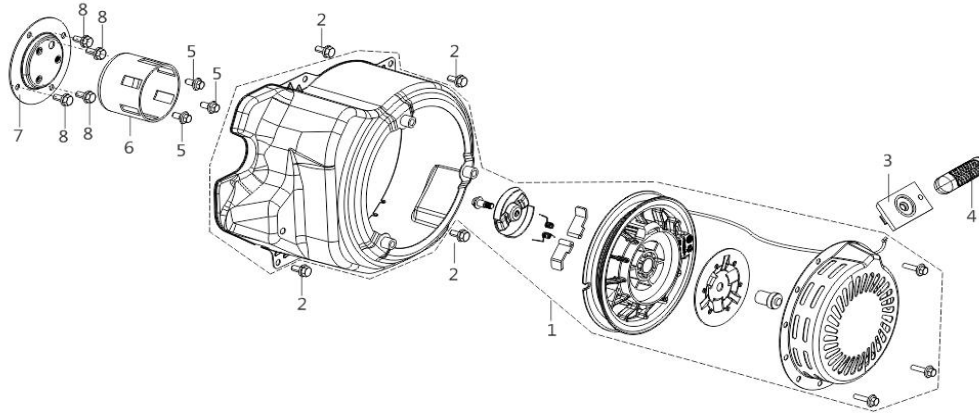




# 3500/3600 WATT INVERTER BREAKDOWN

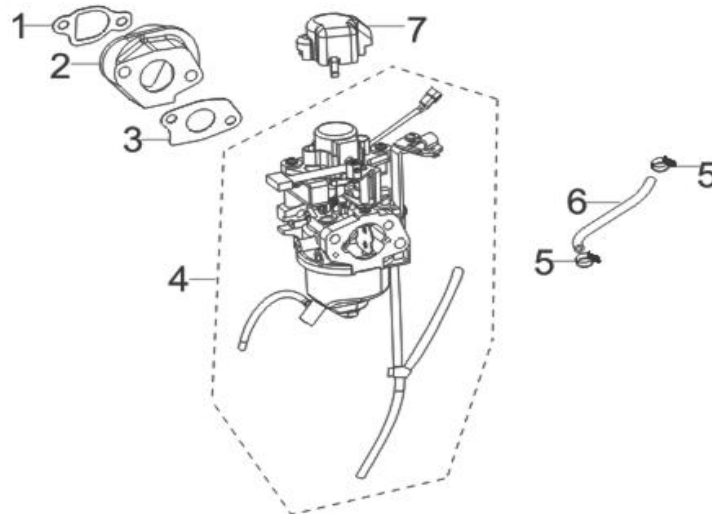
BE3500IP / BE3600IE

## STARTER RECOIL



| REF # | MAIN DESCRIPTION | SECONDARY DESCRIPTION      | QTY | PART #     |
|-------|------------------|----------------------------|-----|------------|
| 1     | RECOIL ASSEMBLY  | STARTER, RECOIL            | 1   | 85.571.700 |
| 3     |                  | GUIDE STARTING ROPE        | 1   |            |
| 4     |                  | SLEEVE, CABLE HANDLE OUTER | 1   |            |

## CARBURETOR ASSY



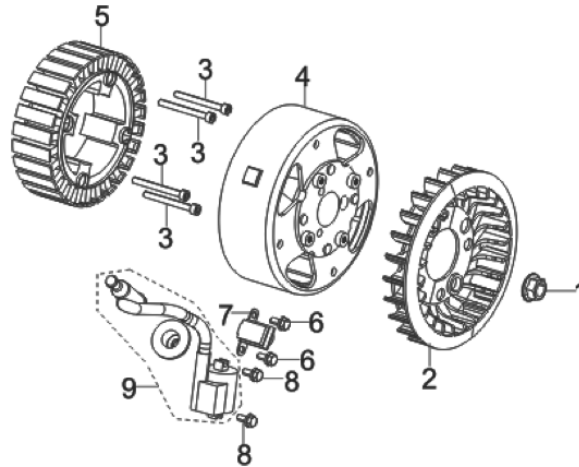
| REF # | MAIN DESCRIPTION    | SECONDARY DESCRIPTION        | QTY | PART #     |
|-------|---------------------|------------------------------|-----|------------|
| 1     | CARBURETOR ASSEMBLY | GASKET, CARBURETOR INSULATOR | 1   | 85.571.701 |
| 2     |                     | PLATE, CARBURETOR INSULATOR  | 1   |            |
| 3     |                     | GASKET, CARBURETOR           | 1   |            |
| 4     |                     | CARBURETOR ASSY.             | 1   |            |
| 5     |                     | CLAMP                        | 2   |            |
| 6     |                     | TUBE, FUEL                   | 1   |            |
| 7     |                     | CAP                          | 1   |            |
| 8     |                     | FUEL FILTER                  | 1   |            |



# 3500/3600 WATT INVERTER BREAKDOWN

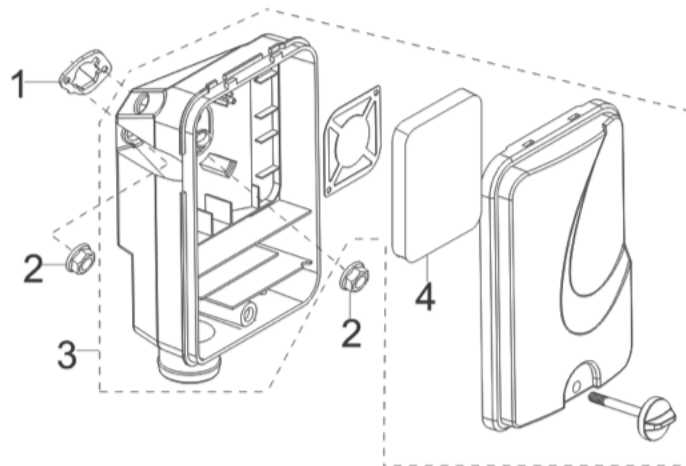
BE3500IP / BE3600IE

## FLYWHEEL / IMPELLER / STARTER PULLEY / IGNITION COIL



| REF # | MAIN DESCRIPTION | SECONDARY DESCRIPTION | QTY | PART #     |
|-------|------------------|-----------------------|-----|------------|
| 7     | IGNITION COIL    | TRIGGER               | 1   | 85.571.703 |
| 9     |                  | COIL, IGNITION        | 1   |            |

## AIR CLEANER



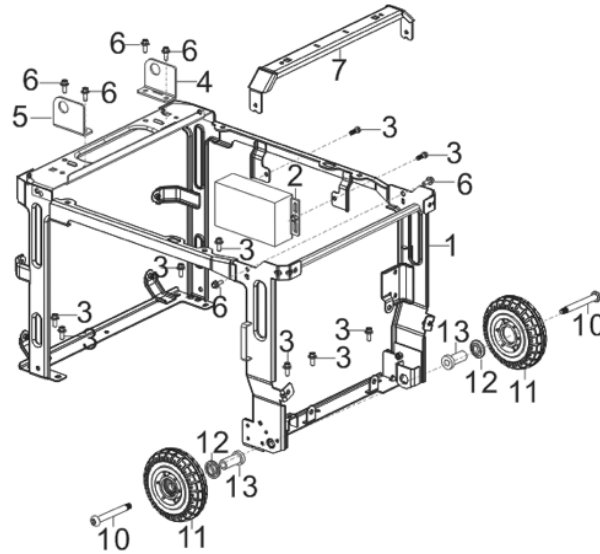
| REF # | MAIN DESCRIPTION    | SECONDARY DESCRIPTION | QTY | PART #     |
|-------|---------------------|-----------------------|-----|------------|
| 1     | AIR FILTER ASSEMBLY | GASKET, AIR CLEANER   | 1   | 85.571.702 |
| 2     |                     | NUT                   | 2   |            |
| 3     |                     | CLEANER, AIR          | 1   |            |
| 4     |                     | ELEMENT, AIR CLEANER  | 1   |            |



# 3500/3600 WATT INVERTER BREAKDOWN

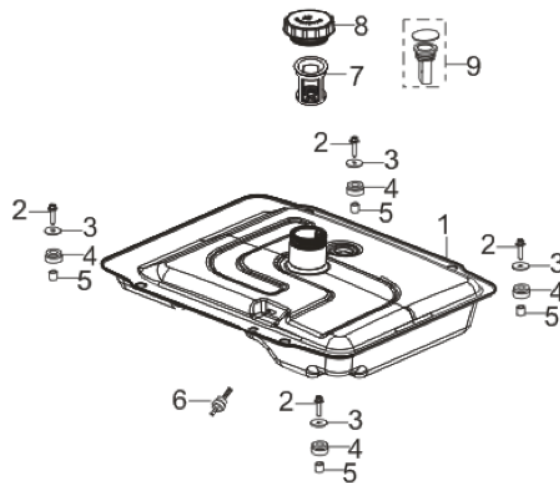
BE3500IP / BE3600IE

## ENGINE FRAME



| REF # | MAIN DESCRIPTION | SECONDARY DESCRIPTION    | QTY | PART #                        |
|-------|------------------|--------------------------|-----|-------------------------------|
| 10    | SINGLE WHEEL KIT | SHAFT, FRONT WHEEL       | 1   | 85.571.704<br>SINGLE<br>WHEEL |
| 11    |                  | WHEEL, FRONT             | 1   |                               |
| 12    |                  | DUST-PROOF COVER         | 1   |                               |
| 13    |                  | CABLE SLEEVE,WHEEL SHAFT | 1   |                               |

## FUEL TANK



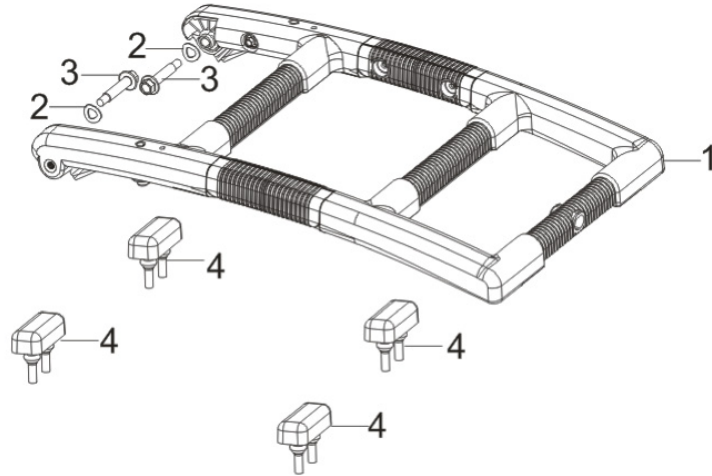
| REF # | MAIN DESCRIPTION    | SECONDARY DESCRIPTION | QTY | PART #     |
|-------|---------------------|-----------------------|-----|------------|
| 7     | FUEL COVER ASSEMBLY | FUEL FILTER           | 1   | 85.571.710 |
| 8     |                     | COVER, FUEL TANK      | 1   |            |
| 9     | FUEL GAUGE          | LEVELER ASSY, OIL     | 1   | 85.571.711 |



# 3500/3600 WATT INVERTER BREAKDOWN

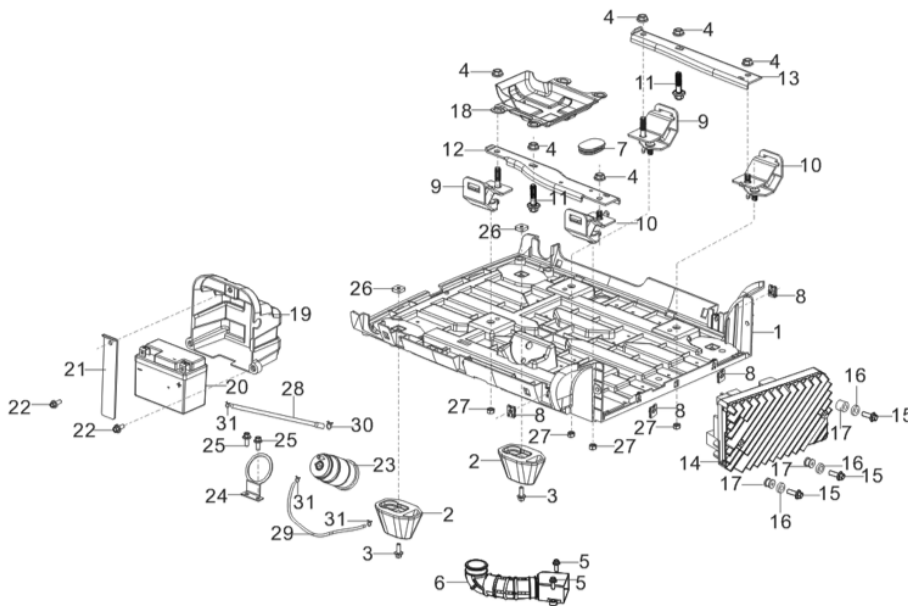
BE3500IP / BE3600IE

## HANDLE



| REF # | MAIN DESCRIPTION | SECONDARY DESCRIPTION               | QTY | PART #     |
|-------|------------------|-------------------------------------|-----|------------|
| 1     | HANDLE ASSEMBLY  | HANDLE TUBE ASSY                    | 1   | 85.571.712 |
| 2     |                  | SPRING WASHER                       | 2   |            |
| 3     |                  | BOLT                                | 2   |            |
| 4     |                  | RUBBER BLOCK, SHOCK ABSORPTION FEET | 4   |            |

## INVERTER BASE



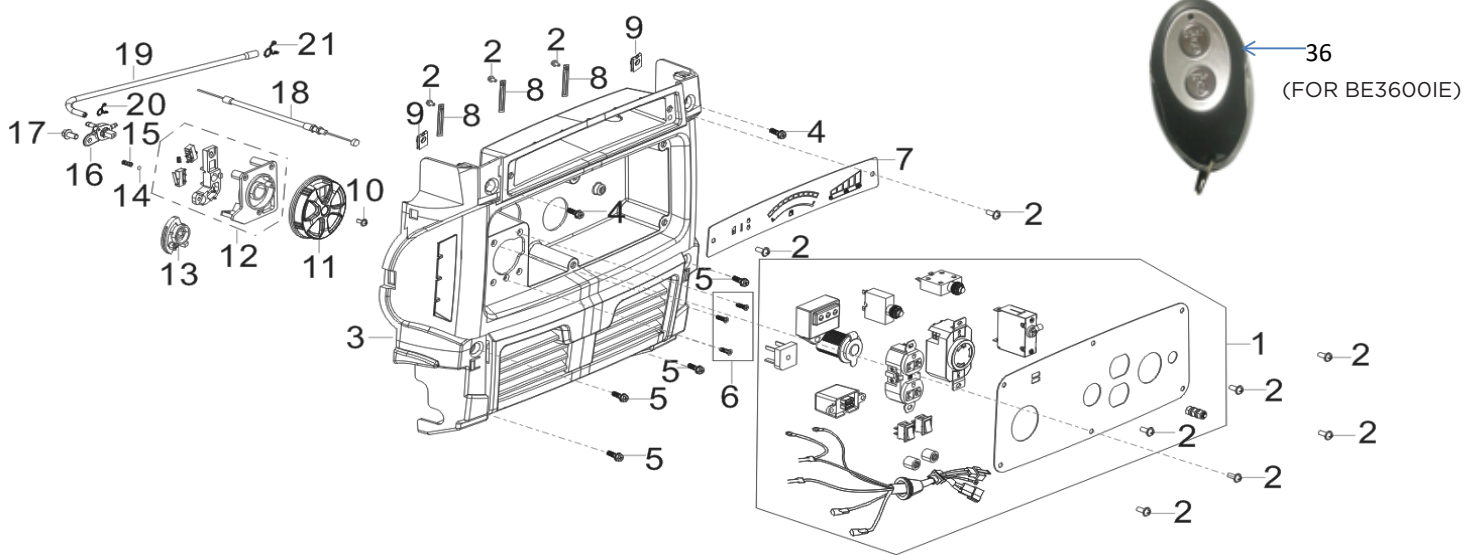
| REF # | MAIN DESCRIPTION  | SECONDARY DESCRIPTION | QTY | PART #       |
|-------|-------------------|-----------------------|-----|--------------|
| 14    | INVERTER ASSEMBLY | INVERTOR              | 1   | 85.571.705   |
| 20    | BATTERY           | BATTERY               | 1   | 85.571.095LI |
| 23    | CARBON CANISTER   | COLLECTOR, FUEL STEAM | 1   | 85.571.706   |



# 3500/3600 WATT INVERTER BREAKDOWN

BE3500IP / BE3600IE

## CONTROL PANEL



| REF # | MAIN DESCRIPTION                | SECONDARY DESCRIPTION     | QTY | PART #     |
|-------|---------------------------------|---------------------------|-----|------------|
| 1     | CONTROL PANEL ASSEMBLY          | PANEL, CONTROL, ASSY.     | 1   | 85.571.707 |
| 7     | METER ASSEMBLY                  | METER ASSY.               | 1   | 85.571.364 |
| 10    | SCREW                           | SCREW                     | 1   | 85.571.709 |
| 11    | ON/OFF/CHOKE CONTROL ASSEMBLY   | KNOB                      | 1   |            |
| 12    |                                 | SWITCH SUBASSEMBLY        | 1   |            |
| 13    |                                 | COVER BOARD               | 1   |            |
| 16    |                                 | COCK ASSY, FUEL           | 1   |            |
| 18    |                                 | HANDLE SUBASSEMBLY, CHOKE | 1   |            |
| 36    | REMOTE START KEY FOB (BE3600IE) | KEY FOB (BE3600IE)        | 1   | 85.571.855 |