



CATALOG OF REPLACEMENT PARTS



B.) HL120/200 LEGACY MIXER

ML-134296	HL120
ML-134459	HL120
ML-141092	HL120 (Canada)
ML-134289	HL200
ML-134331	HL200
ML-134455	HL200
ML-134456	HL200C
ML-134457	HL200
ML-134458	HL200
ML-141094	HL200 (Canada)
ML-141095	HL200 (Canada)
ML-141108	HL200
ML-141110	HL200
ML-141115	HL200

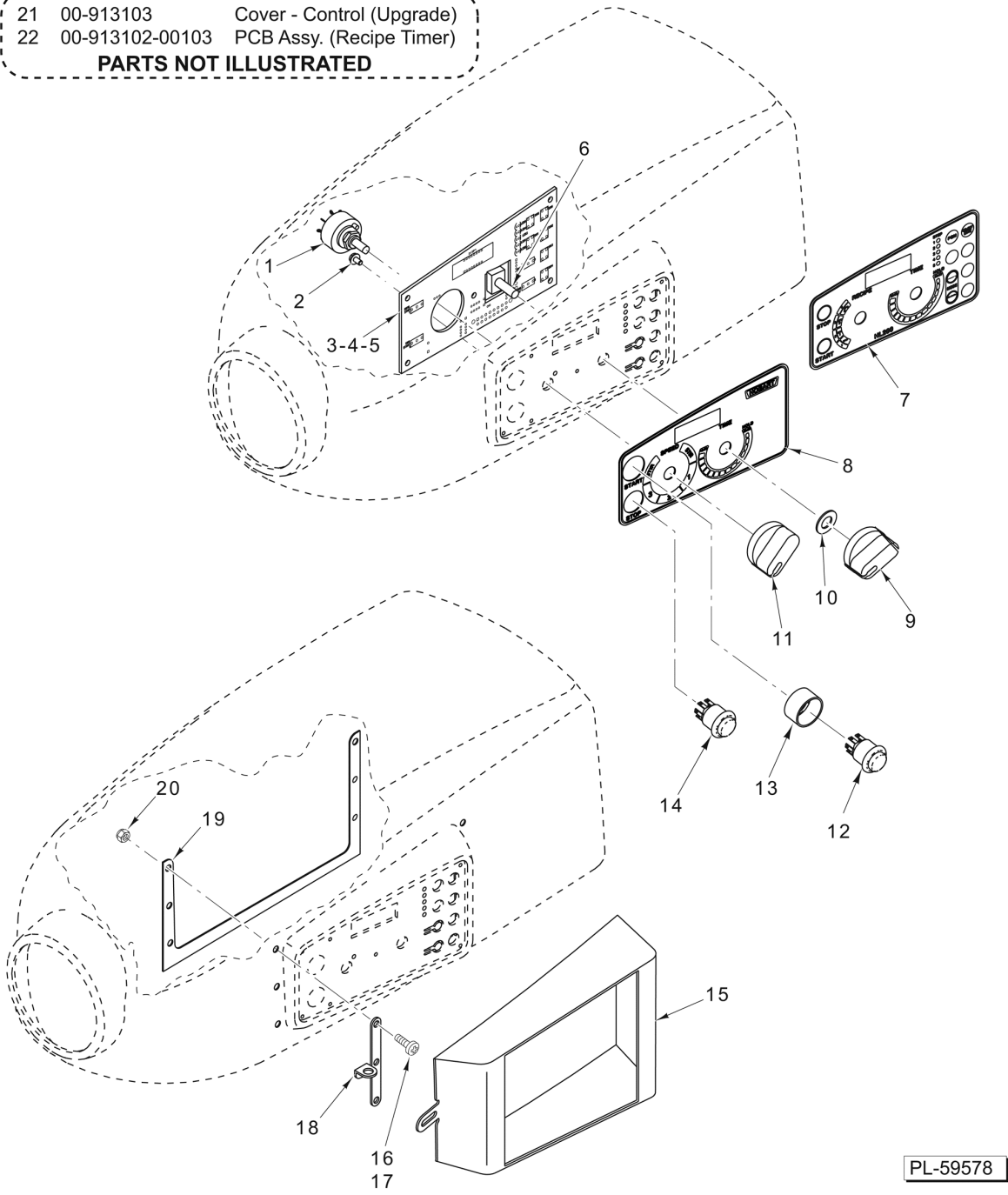
PRIOR MLS COVERED IN THIS MANUAL

ML-134308	HL200
ML-134312	HL200C

Table of Contents

5	CONTROL PANEL
7	ELECTRICAL COMPONENTS
9	ATTACHMENT HUB
11	BASE AND PEDESTAL
13	FLOOR BASE AND PEDESTAL (ML-134308, ML-134331, ML-134458, & ML-141094)
15	BOWL SUPPORT
17	TRANSMISSION CASE AND MOTOR
19	TRANSMISSION
21	PLANETARY (PREVIOUS CONSTRUCTION)
23	PLANETARY (CURRENT CONSTRUCTION) (STARTING S/N 311386989)
25	BOWL AND BOWL GUARD
27	AGITATORS AND ACCESSORIES
29	MIXER TABLE (ML-134299)
31	WIRING HARNESS
33	WIRING HARNESS (CONTINUED)

21 00-913103 Cover - Control (Upgrade)
22 00-913102-00103 PCB Assy. (Recipe Timer)
PARTS NOT ILLUSTRATED



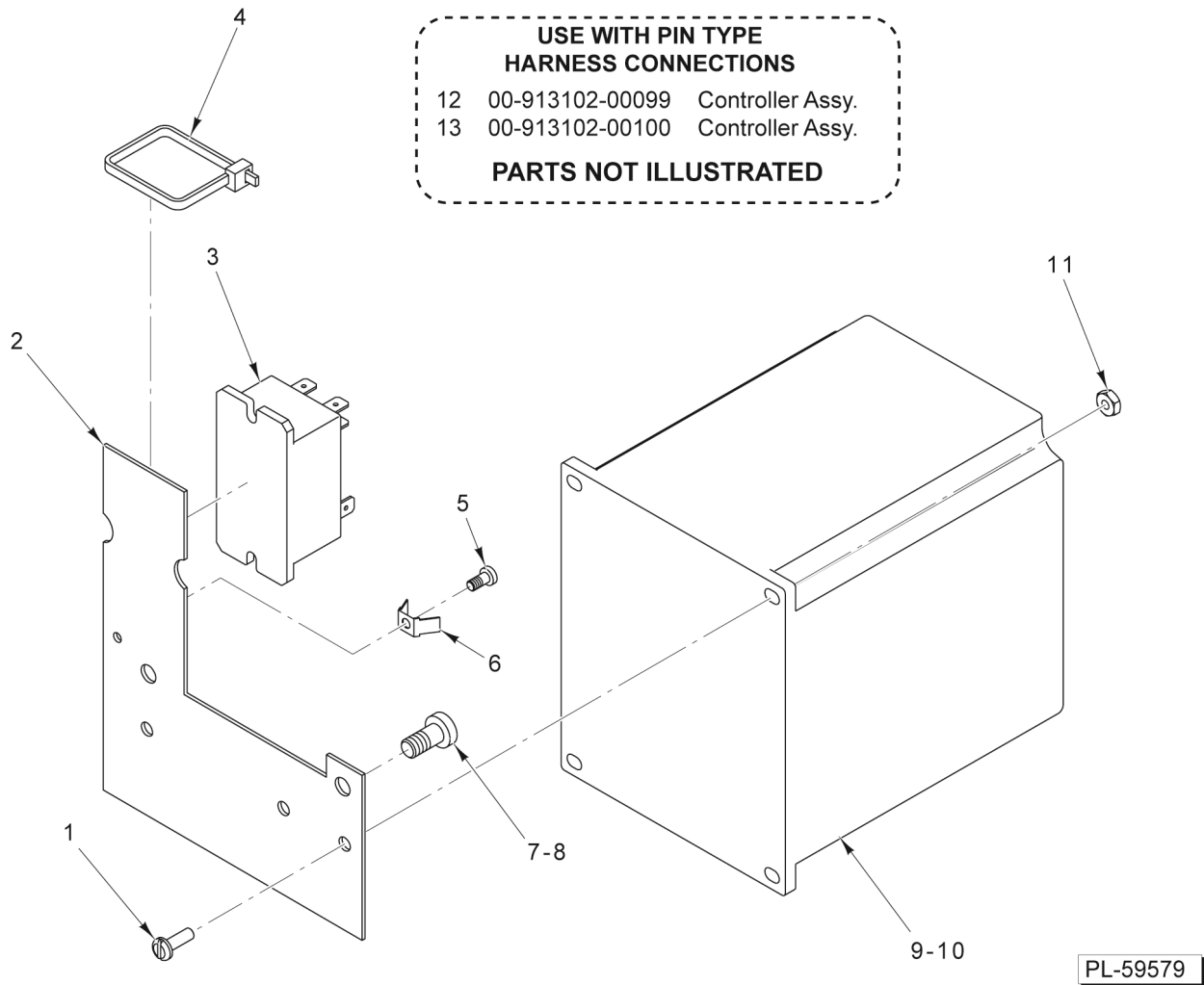
CONTROL PANEL

CONTROL PANEL

ILLUS.	PART NO.	NAME OF PART	AMT.
PL-59578			
*1	00-937061	Switch - Speed Selector Assy. (6-Position).....	1
2	SD-039-23	Self-Tapping Screw 6-32 x 1/4 Hex Washer Hd., Type RL.....	5
*3	00-917212	PCB Assy. (Standard Timer With 1 Stir Position & integral start and stop switches)	1
**4	00-917213	PCB Assy. (Recipe Timer).....	1
5	00-937135	PCB Assy. (Standard Timer With 2 Stir Positions & Replaceable Start and Stop Switch).....	1
6	00-916594	Potentiometer Assy. (Off Board Units Starting S/N 311398234).....	1
7	00-874811	Overlay (HL200) (Recipe Timer Using 4-Position Speed Selector).....	1
*8	00-937071	Overlay (6-Position Speed Selector Switch).....	1
9	00-874809	Knob.....	1
10	WS-031-55	Washer (Rubber).....	1
11	00-874809	Knob.....	1
12	00-916593	Switch - Sealed Dome (Start).....	1
13	00-916958-00002	Guard - Switch.....	1
14	00-916592	Switch - Sealed Dome (Stop).....	1
15	00-874921	Cover - Weldment (Correctional).....	1
16	SC-128-62	Mach. Screw 10-24 x 1/2 Tx. Button Hd. (SST) (Correctional).....	6
17	00-042648	Insert - Threaded.....	6
18	00-874923	Latch (Correctional).....	1
19	00-874931	Plate - Backer (Correctional).....	1
20	NS-038-13	Lock Nut 10-24 Hex (Correctional).....	6
21	00-913103	Cover - Control (Upgrade).....	1
22	00-913102-00103	PCB Assy. (Recipe Timer).....	1

* Order cover control upgrade 00-913103 when replacing 4-position speed selector switch, standard timer with on board potentiometer, or standard timer overlay with 4-position speed selector. All used on HL120 units built before S/ N 311398203, and HL200 units built before S/N 311422459.

** Order recipe timer assembly 00-913102-00103 when replacing recipe timer with on board potentiometer.



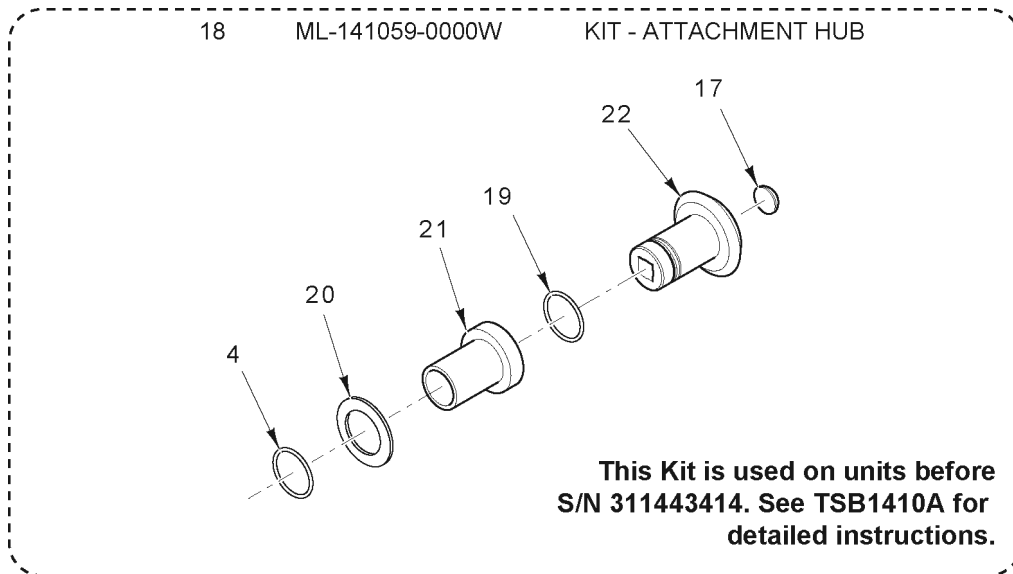
ELECTRICAL COMPONENTS

ELECTRICAL COMPONENTS

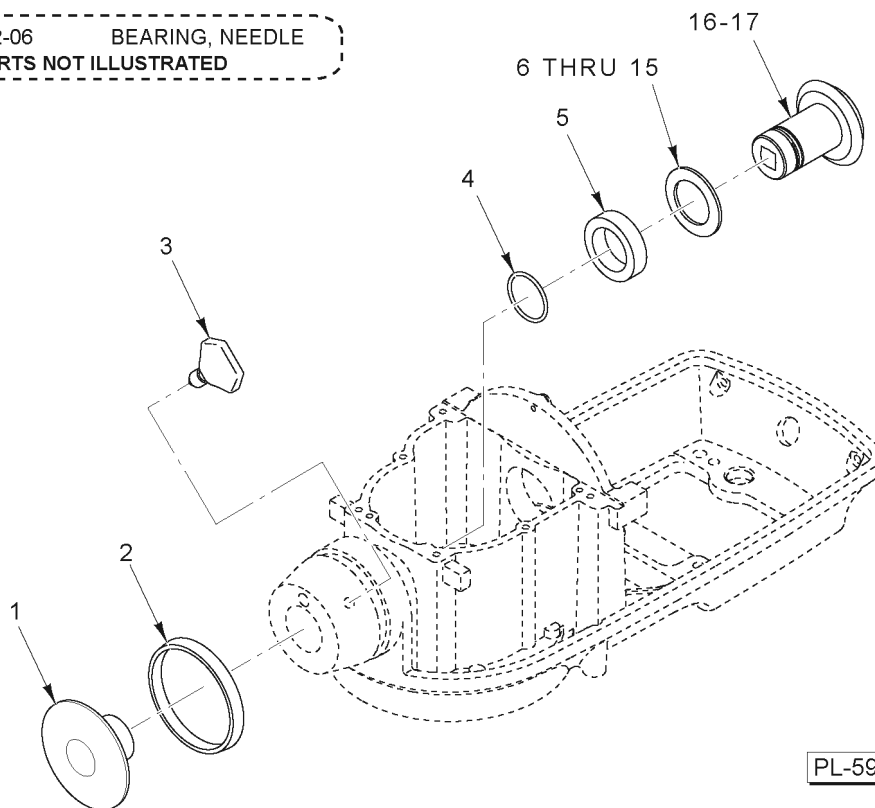
ILLUS.	PART NO.	NAME OF PART	AMT.
PL-59579			
1	SC-018-38	Mach. Screw 8-32 x 1/2 Slotted Pan Hd.....	2
2	00-874763	Bracket - Controller.....	1
3	00-087714-042-5	Relay (2-Pole, 30 Amp.).....	1
4	00-113703	Cable Tie (8 In.).....	1
5	SD-015-37	Self-Tapping Screw 6-32 x 1/4 Phil. Pan Hd., Type TT.....	1
6	00-065890-00090	Terminal (2-Tab).....	1
7	SC-114-80	Mach. Screw 1/4-20 x 3/8 Phil. Pan Hd.....	2
8	SC-100-08	Mach. Screw 1/4-20 x 3/8 Hex Washer Hd.....	2
*9	00-916893	Controller - Low Voltage (100-120 V., 50-60 Hz., 1Ph.).....	1
**10	00-916894	Controller - High Voltage (200-240 V., 50-60 Hz., 1Ph.).....	1
11	NS-009-12	Nut 8-32 Hex.....	1
12	00-913102-00099	Controller Assy. (Used with pin type harness connections).....	1
13	00-913102-00100	Controller Assy. (Used with pin type harness connections).....	1

* (For Pin-style harness, order controller assembly 00-913102-00099)

** (For Pin-style harness, order controller assembly 00-913102-00100)



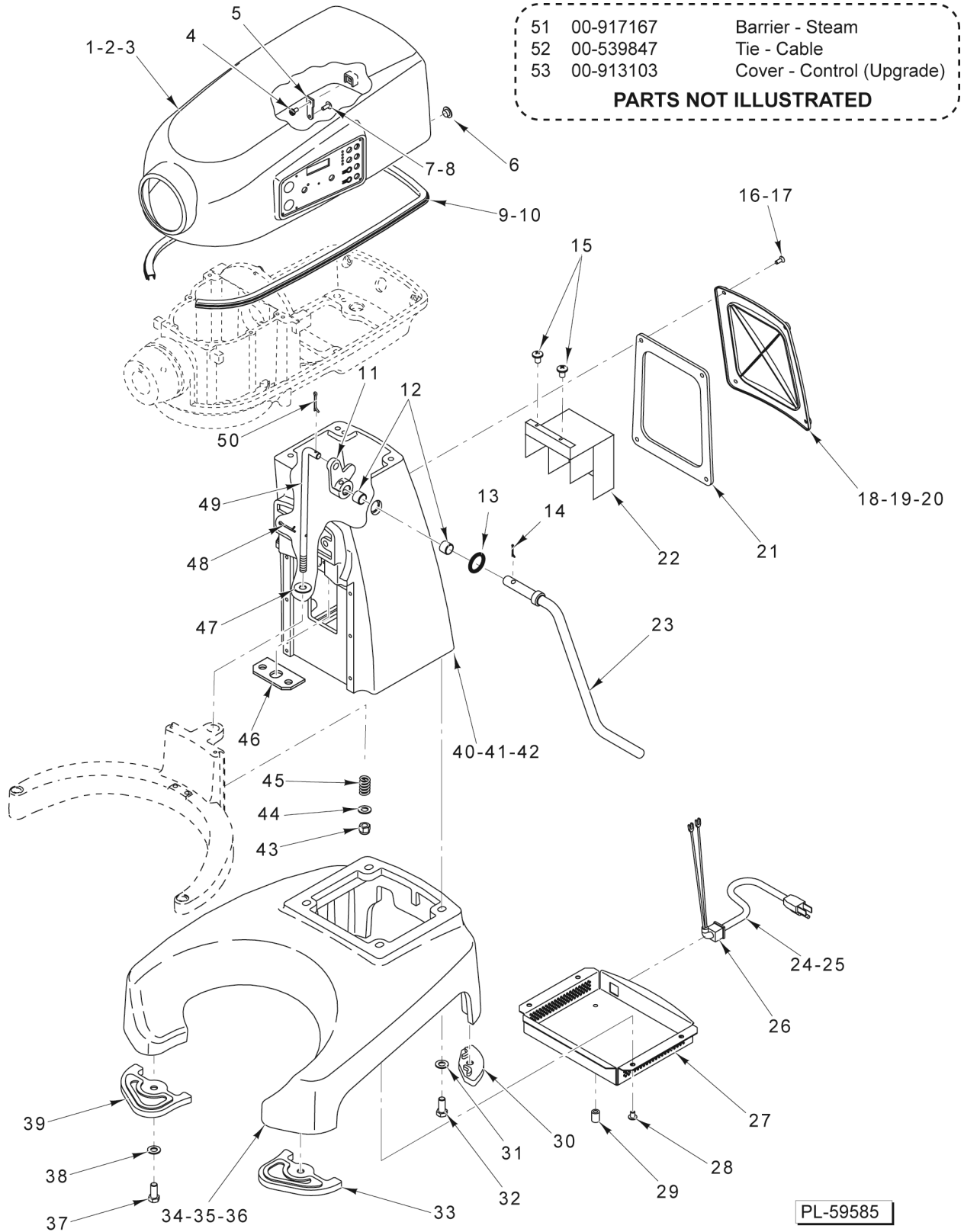
23 BN-002-06 BEARING, NEEDLE
PARTS NOT ILLUSTRATED



ATTACHMENT HUB

ATTACHMENT HUB

ILLUS.	PART NO.	NAME OF PART	AMT.
PL-59580			
1	00-917221	Plug - Attachment.....	1
2	00-937329-00003	Seal - Neoprene.....	1
3	00-108197-00001	Thumb Screw 1-1/4.....	1
4	OR-001-03	O-Ring - Quad.....	1
5	00-874837	Spacer.....	1
6	00-012746-00005	Washer - Thrust (0.080).....	AR
7	00-012746-00006	Washer - Thrust (0.106).....	AR
8	00-012746-00007	Washer - Thrust (0.092).....	AR
9	00-012746-00008	Washer - Thrust (0.086).....	AR
10	00-012746-00009	Washer - Thrust (0.098).....	AR
11	00-012746-00010	Washer - Thrust (0.112).....	AR
12	00-012746-00012	Washer - Thrust (0.119).....	AR
13	00-012746-00013	Washer - Thrust (0.121).....	AR
14	00-012746-00016	Washer - Thrust (0.129).....	AR
15	00-012746-00019	Washer - Thrust (0.115).....	AR
16	00-435065-00002	Bevel Drive Gear & Seal Assy. (Incls. Item 17).....	1
17	PL-003-17	Plug - Expansion.....	1
18	ML-141059-0000W	Kit - Attachment Hub (Used on machines built before S/N 311443414).....	1
19	OR-001-13	O-Ring.....	1
20	00-012746-00003	Washer - Thrust.....	AR
21	00-937407	Attachment Hub Sleeve.....	1
22	00-435051-00003	Bevel Gear.....	1
23	BN-002-06	Bearing - Needle.....	2

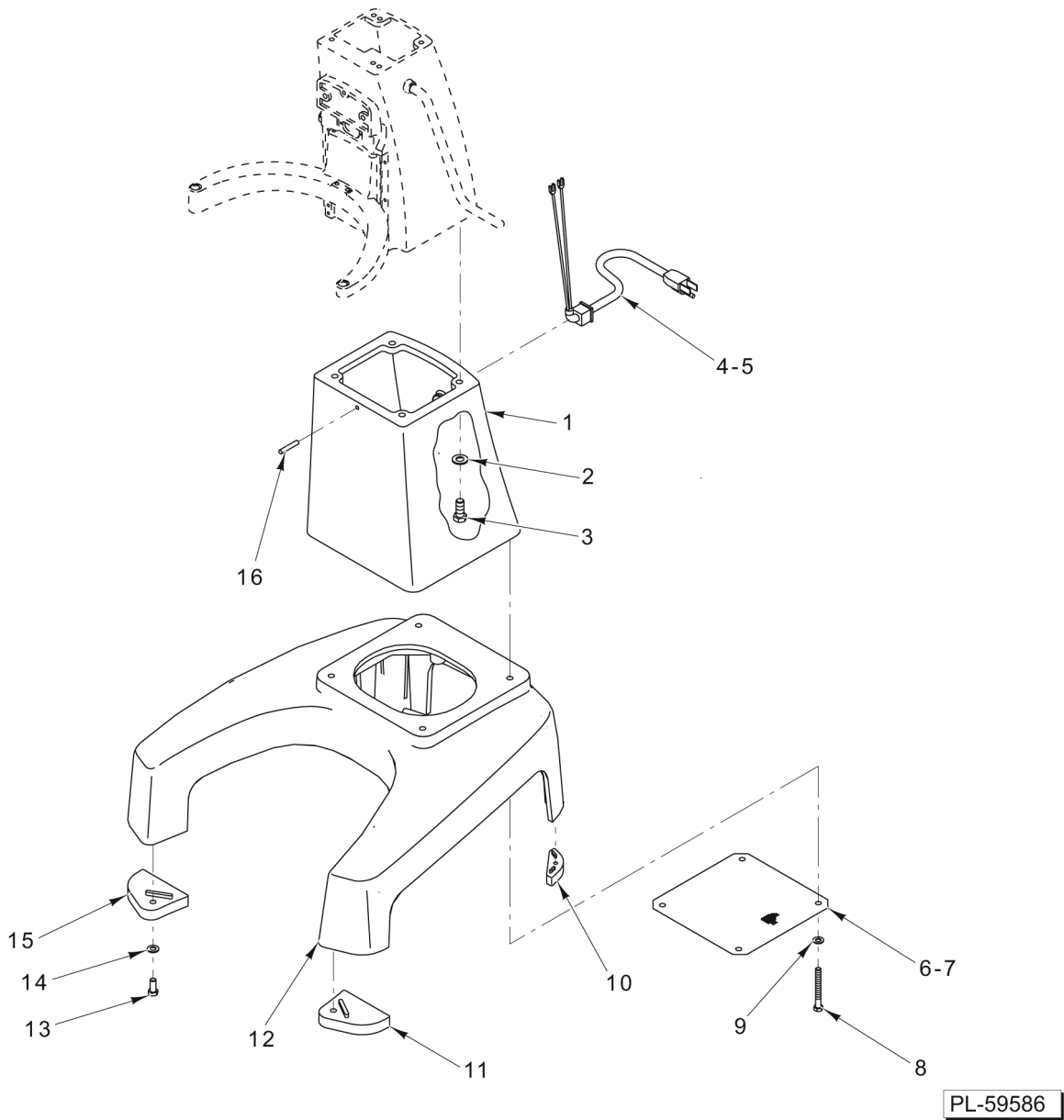


BASE AND PEDESTAL

BASE AND PEDESTAL

ILLUS.	PART NO.	NAME OF PART	AMT.
PL-59585			
*1	00-913103-00002	Cover Assy. (Gray).....	1
2	00-937411	Cover Assy. (Blue) (ML-141110).....	1
3	00-874860-00007	Cover Assy. (Red) (ML-141115).....	1
4	SD-024-38	Self-Tapping Screw 10-24 x 3/8 Phil. Pan Hd., Type TT.....	2
5	00-874829	Tab - Cover Mounting.....	2
6	00-874857	Plug.....	1
7	SC-066-20	Mach. Screw 10-32 x 1/2 Phil. Truss Hd. (SST).....	2
8	SC-128-81	Mach. Screw 10-32 x 1/2 Tx. Button Hd. (Correctional).....	2
9	00-937329-00001	Seal - Neoprene.....	1
10	00-937329-00002	Seal - Neoprene.....	1
11	00-874756	Arm - Bowl Lift.....	1
12	00-479510	Bushing - Bowl Lift.....	2
13	00-917649	Grommet - Handle.....	1
14	PS-004-15	Spiral Pin 1/4 Dia. x 1-1/8 Lg.....	1
15	SC-123-98	Mach. Screw M4 x 0.7 x 6mm Phil. Pan Hd.....	2
16	SC-023-10	Mach. Screw 10-24 x 3/4 Slotted Oval Hd. (SST).....	4
17	SC-131-27	Mach. Screw 10-24 x 3/4 Tx. Flat. Hd. (SST) (Correctional).....	4
18	00-917231	Cover - Pedestal (Back) (Gray).....	1
19	00-937412	Cover - Pedestal (Back) (Blue) (ML-141110).....	1
20	00-937412-00002	Cover - Pedestal (Back) (Red) Cover - Pedestal (Back) (Red) (ML-141115).....	1
21	00-937202-00001	Seal - Neoprene Pedestal Cover.....	1
22	00-937204	Barrier - Drive Shield.....	1
23	00-874745-00002	Handle & Bushing - Bowl Lift.....	1
24	00-874833-00001	Cord & Plug Assy. (120 V.).....	1
25	00-874833-00002	Cord & Plug Assy. (220 V.).....	1
26	FE-026-34	Strain Relief - Electrical.....	1
27	00-874760	Cover - Controller.....	1
28	SC-114-80	Mach. Screw 1/4-20 x 3/8 Phil. Pan Hd.....	4
29	FE-026-43	Plug - Button.....	1
30	00-874879	Pad - Rear.....	2
31	WS-018-24	Washer.....	4
32	SC-118-11	Cap Screw 3/8-16 x 7/8 Hex Hd.....	4
33	00-874896	Pad - Front (RH).....	1
34	00-874720-00002	Base (Gray).....	1
35	00-874720-00003	Base (Blue) (ML-141110).....	1
36	00-874720-00004	Base (Red) (ML-141115).....	1
37	SC-118-12	Cap Screw 3/8-16 x 3/4 Hex Hd.....	4
38	WS-018-34	Washer - Shim .010 THK. (SST).....	4
39	00-874878	Pad - Front (LH).....	1
40	00-874723-00002	Pedestal (Gray).....	1
41	00-874723-00003	Pedestal (Blue) (ML-141110).....	1
42	00-874723-00004	Pedestal (Red) (ML-141115).....	1
43	NS-036-15	Stop Nut 3/8-24 Hex Special.....	1
44	WS-006-26	Washer.....	1
45	00-012782	Spring.....	1
46	00-874870	Plate - Spring Bowl Yoke.....	1
47	WS-006-26	Washer.....	1
48	PC-003-55	Cotter Pin 1/8 x 3/4.....	1
49	00-874748	Rod - Bowl Lift.....	1
50	PC-003-55	Cotter Pin 1/8 x 3/4.....	1
51	00-917167	Barrier - Steam (Foam Type Obsolete).....	1
52	00-539847	Tie - Cable.....	AR
53	00-913103	Cover - Control (Upgrade).....	1

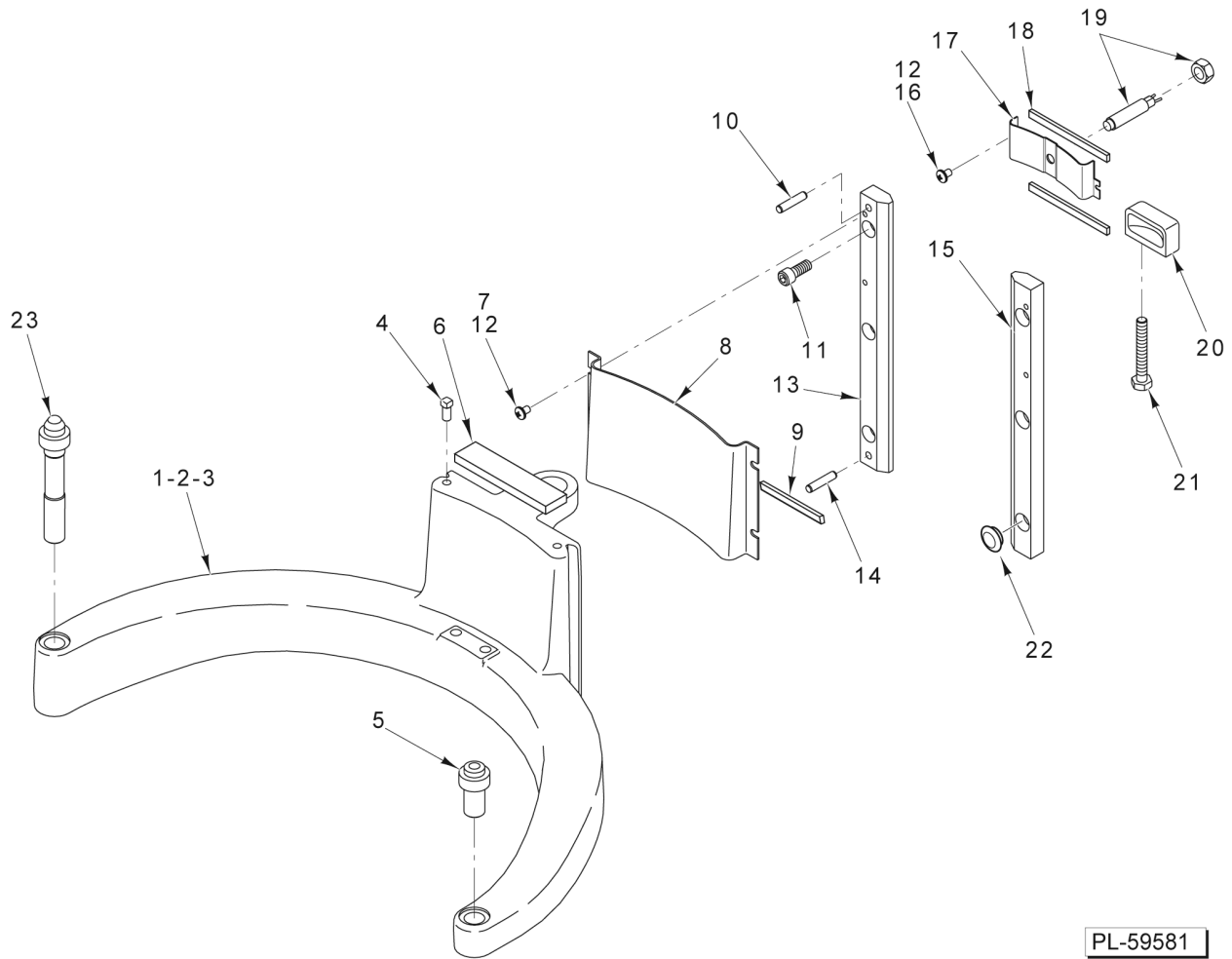
* Order cover control upgrade 00-913103 when replacing a cover on any machine that has 4-position speed selector switch. This upgrade will convert machines with recipe timers to a standard timer. Recipe timer option is no longer available.



**FLOOR BASE AND PEDESTAL
(ML-134308, ML-134331, ML-134458, & ML-141094)**

**FLOOR BASE AND PEDESTAL
(ML-134308, ML-134331, ML-134458, & ML-141094)**

ILLUS.	PART NO.	NAME OF PART	AMT.
PL-59586			
1	00-916548-00002	NLA - Obsolete--Block - Riser.....	1
2	WS-018-24	Washer.....	4
3	SC-118-10	Cap Screw 3/8-16 x 1 Hex Hd.....	4
4	00-874833-00001	Cord & Plug Assy. (120 V.).....	1
5	00-874833-00002	Cord & Plug Assy. (220 V.).....	1
6	00-916330	Screen - Air Floor (Previous Construction).....	1
7	00-916549	Screen - Air Floor (Current Construction).....	1
8	SC-124-91	Cap Screw 3/8-16 x 2-1/2 Hex Hd.....	4
9	WS-018-24	Washer.....	4
10	00-916309	Pad - Rear.....	2
11	00-916308	Pad - Front (RH).....	1
12	00-916213-00004	Base.....	1
13	SC-118-12	Cap Screw 3/8-16 x 3/4 Hex Hd.....	4
14	WS-018-34	Washer - Shim .010 THK. (SST).....	4
15	00-916307	Pad - Front (LH).....	1
16	PG-011-51	Pin - Grooved.....	1



PL-59581

BOWL SUPPORT

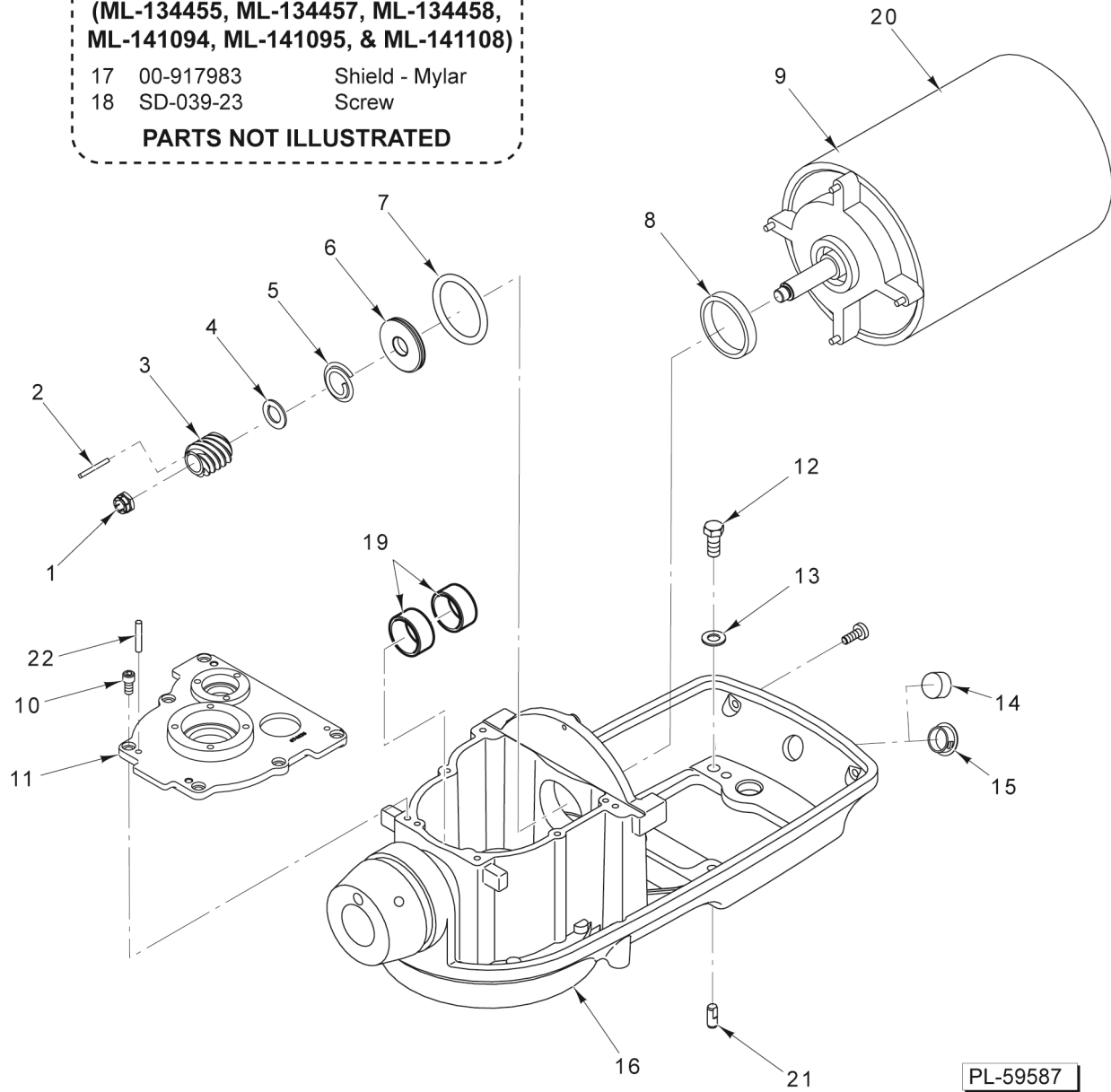
BOWL SUPPORT

ILLUS.	PART NO.	NAME OF PART	AMT.
PL-59581			
1	00-874841-00002	Support - Bowl (Gray).....	1
2	00-874841-00003	Support - Bowl (Blue) (ML-141110).....	1
3	00-874841-00004	Support - Bowl (Red) (ML-141115).....	1
4	SC-129-22	Set Screw 1/4-20 x 1/4 Sq. Hd. Cup Pt.....	2
5	00-874727	Pin - Bowl (RH).....	1
6	00-937203	Seal - Neoprene.....	1
7	SC-122-59	Mach. Screw 8-32 x 1/4 Phil. Pan Hd. (SST).....	4
8	00-874742	Apron.....	1
9	00-937202-00003	Seal - Neoprene Apron.....	1
10	00-011800-00187	Dowel.....	2
11	SC-089-02	Cap Screw 1/4-20 x 3/4 Hex Socket Hd.....	6
12	SC-128-73	Mach. Screw 8-32 x 1/4 Tx. Button Hd. (SST) (Correctional).....	6
13	00-874738-00001	Slideway - Bowl Lift (LH).....	1
14	00-011800-00187	Dowel.....	1
15	00-874738-00002	Slideway - Bowl Lift (RH).....	1
16	SC-122-59	Mach. Screw 8-32 x 1/4 Phil. Pan Hd. (SST).....	2
17	00-937323	Cover - Bowl Interlock.....	1
18	00-937202-00002	Seal - Neoprene Control Cover.....	2
19	00-087711-00352	Switch - Reed.....	1
20	00-874842	Hold Down - Bowl (Rear).....	1
21	SC-062-69	Cap Screw 1/4-20 x 1-3/4 Hex Hd.....	2
22	PB-004-97	Cap.....	4
23	00-874726	Pin - Bowl (LH).....	1

Low Voltage Only
(ML-134455, ML-134457, ML-134458,
ML-141094, ML-141095, & ML-141108)

17	00-917983	Shield - Mylar
18	SD-039-23	Screw

PARTS NOT ILLUSTRATED



PL-59587

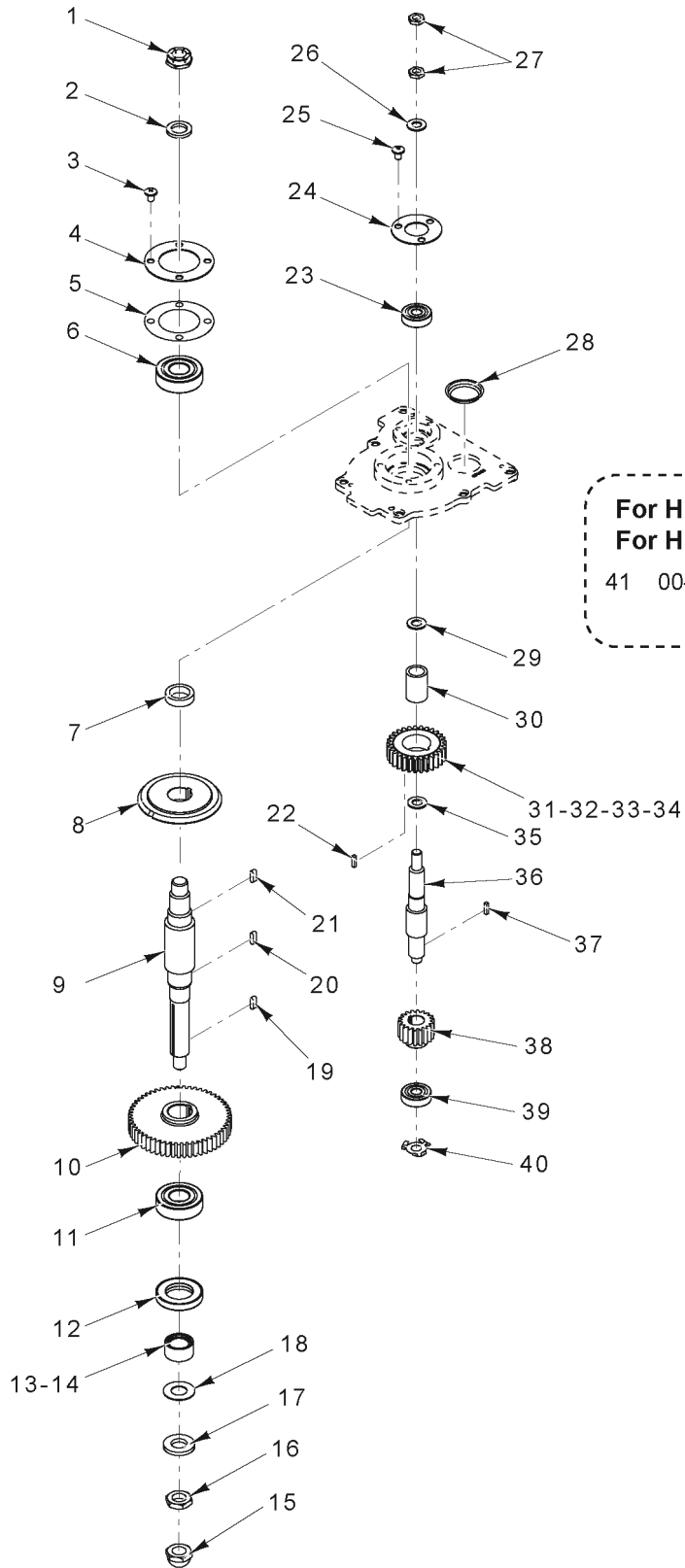
TRANSMISSION CASE AND MOTOR

TRANSMISSION CASE AND MOTOR

ILLUS. PL-59587	PART NO.	NAME OF PART	AMT.
1	NS-032-23	Lock Nut 7/16-20 Special.....	1
2	00-012430-00004	Key 1/8 x 1/8 x 1-1/4.....	1
3	00-291221	Gear - Worm (60 Cycle).....	1
4	00-012754	Washer.....	1
5	00-012757	Spring - Shock Absorber.....	1
6	00-874820	Deflector - Grease (LH).....	1
7	00-067500-00050	O Ring.....	1
8	00-916445	Bushing - Motor.....	1
9	00-917810	Motor (All Voltages - For Insulated Mixers Only).....	1
	00-874634	Motor.....	1
10	SC-089-01	Cap Screw 1/4-20 x 1/2 Hex Socket Hd.....	6
11	00-874755	Cover - Transmission.....	1
12	SC-118-11	Cap Screw 3/8-16 x 7/8 Hex Hd.....	4
13	WS-018-24	Washer.....	4
14	00-874876	Plug - Cupped Expansion (Brass).....	1
15	00-874857	Plug.....	1
*16	00-937437-00003	Transmission Case - Lower (Blue) (ML-141110).....	1
*	00-937437-00002	Transmission Case - Lower (Gray).....	1
*	00-937437-00004	Transmission Case - Lower (Red) (ML-141115).....	1
**17	00-917983	Shield - Mylar (ML-134455, ML-134457, ML-134458, ML-141094, ML-141095, & ML-141108).....	1
**18	SD-039-23	Self-Tapping Screw 6-32 x 1/4 Hex Washer Hd., Type RL (ML-134455, ML-134457, ML-134458, ML-141094, ML-141095, & ML-141108).....	2
19	BN-002-06	Bearing - Needle.....	2
20	00-917938	Bearing - Flange (Front) (ML-134455, ML-134457, ML-134458, ML-141094, ML-141095, & ML-141108).....	4
	00-917839	Tubing - Shrink (36" length) (ML-134455, ML-134457, ML-134458, ML-141094, ML-141095, & ML-141108).....	1
	00-557982	Bearing - Flange (Rear) (ML-134455, ML-134457, ML-134458, ML-141094, ML-141095, & ML-141108).....	4
21	00-270776	Dowel.....	2
22	00-011800-00187	Dowel.....	2

* (Order items 7, 21 (qty of 2), & 00-435065-00002)

** (Low Voltage Only 100-120 V., 50-60 Hz., 1 Ph.)



For HL120 Units Built Before S/N 311371184
 For HL200 Units Built Before S/N 311370192
 41 00-913102-00101 Shaft Assy.
PARTS NOT ILLUSTRATED

PL-59588

TRANSMISSION

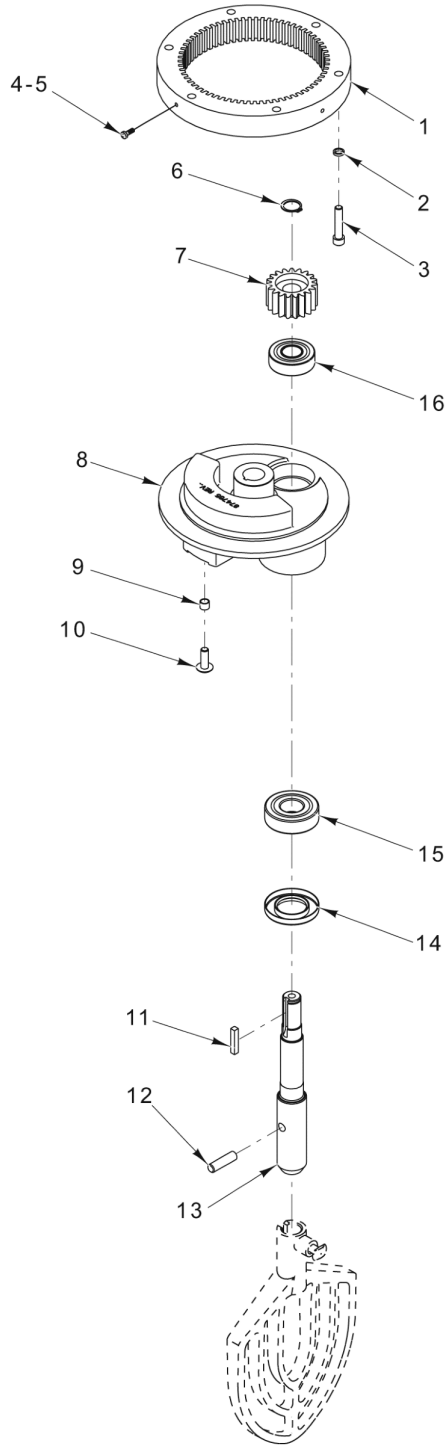
TRANSMISSION

ILLUS. PL-59588	PART NO.	NAME OF PART	AMT.
1	NS-032-37	Lock Nut 5/8-18 Special.....	1
2	WS-031-41	Washer.....	1
3	SC-089-01	Cap Screw 1/4-20 x 1/2 Hex Socket Hd.....	4
4	00-874787	Retainer - Planetary Bearing.....	1
5	00-874795	Gasket - Bearing.....	1
6	BB-005-34	Ball Bearing.....	1
7	00-874793	Spacer - Planetary.....	1
8	00-124733-00002	Gear - Bevel (46T).....	1
9	00-874635	Shaft - Planetary.....	1
10	00-874778	Gear (55T, 14P).....	1
11	BB-020-06	Ball Bearing (Fafnir 204KDFA51580).....	1
12	00-114695	Seal - Oil.....	1
13	00-437342	Spacer - Bearing.....	1
14	00-067500-00078	O-Ring.....	1
15	00-024715-00003	Acorn Nut 1/2-20.....	1
16	00-010928-00002	Nut - Special.....	1
17	WS-030-83	Washer - Retaining (STL).....	1
18	00-124946	Washer (1/32 Thk.).....	1
19	00-012430-00017	Key 1/8 x 1/8 x 2-7/16.....	1
20	00-874873-00002	Key.....	1
21	00-874873-00001	Key.....	1
22	00-012430-00024	Key 1/8 x 1/8 x 1/2.....	1
23	BB-005-02	Ball Bearing - N.D. #7500.....	1
24	00-874788	Retainer - Bearing.....	1
25	SC-089-01	Cap Screw 1/4-20 x 1/2 Hex Socket Hd.....	3
26	WS-006-36	Washer.....	1
27	00-012710	Nut - Retaining.....	2
28	00-064871	Plug - Friction.....	1
29	00-968075	Spacer, Worm Wheel.....	1
*30	00-916962	Spacer - Gear.....	1
31	00-917797	Gear - Worm (Low Voltage Only 100-120 V, 50-60 Hz., 1 Ph.) (ML-134455, ML-134457, ML-134458, ML-141094, ML-141095, & ML-141108).....	1
32	00-917797-00002	Gear - Insulated Worm (Above S/N 311569659 or Pretzel Mixers).....	1
33	00-874934	Gear - Worm (29T).....	1
**34	00-124751-00003	Worm Wheel & Bushing Assy. (60 Hz.).....	1
**35	WS-010-36	Washer.....	1
*36	00-916961	Shaft - Worm Wheel.....	1
37	00-012430-00024	Key 1/8 x 1/8 x 1/2.....	1
38	00-874777	Gear (18T, 14P).....	1
39	BB-021-62	Ball Bearing.....	1
40	SL-002-08	Spring - Loading.....	1
***41	00-913102-00101	Shaft Assy.....	1

* (Order Item 40 when replacing these parts on HL120 units built before S/N 311371184, and HL200 units built before S/N 311370192.)

** (HL120 Units Built Before S/N 311371184 and HL200 Units Built Before S/N 311370192)

*** (Used when replacing Items 30 & 35 on HL120 units built before S/N 311371184, and HL200 units built before S/N 311370192.)



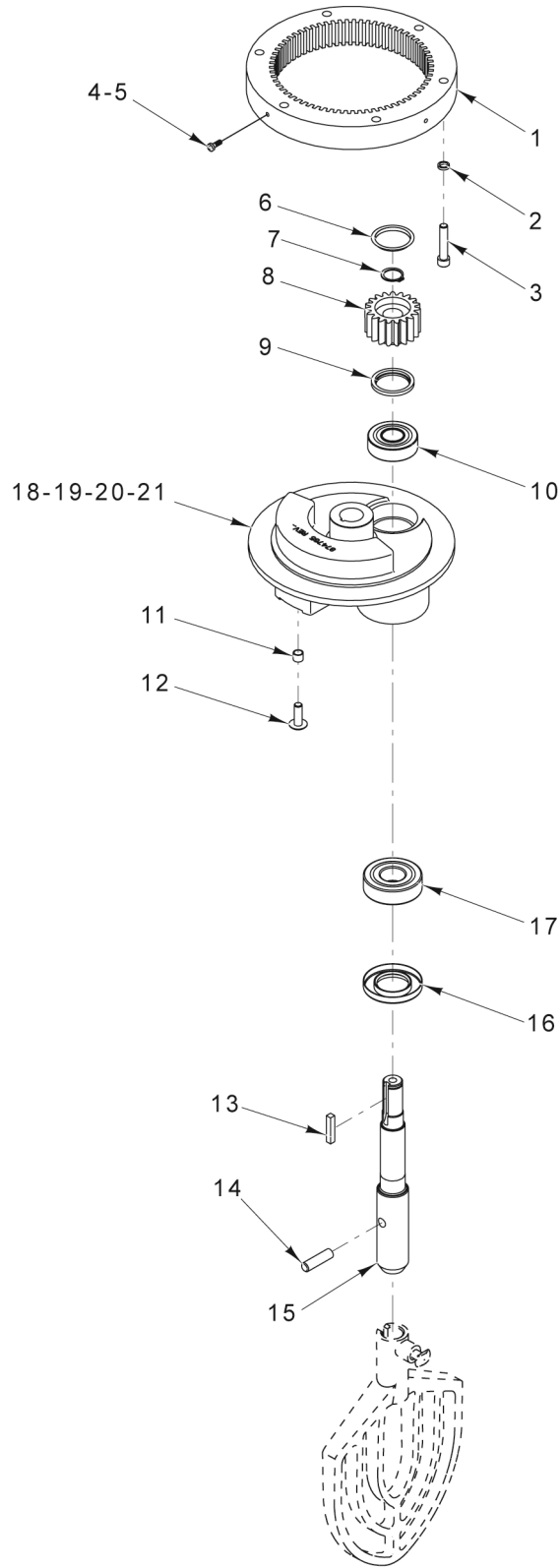
PL-59621

**PLANETARY
(PREVIOUS CONSTRUCTION)**

**PLANETARY
(PREVIOUS CONSTRUCTION)**

ILLUS.	PART NO.	NAME OF PART	AMT.
PL-59621			
1	00-438524-00002	Gear - Internal (63T).....	1
2	WL-003-35	Lockwasher 1/4 Helical.....	6
3	SC-040-09	Cap Screw 1/4-20 x 1-1/4 Hex Socket Hd.....	6
4	SC-066-13	Mach. Screw 8-32 x 1/4 Phil. Truss Hd. (SST).....	3
5	SC-128-73	Mach. Screw 8-32 x 1/4 Tx. Button Hd. (SST) (Correctional).....	3
6	RR-004-18	Retaining Ring.....	1
7	00-015217	Pinion - Beater (19T).....	1
*8		Planetary.....	1
9	00-874770	Spacer - Bowl Scraper.....	2
10	SC-053-46	Mach. Screw 1/4-20 x 3/4 Slotted Truss Hd. (SST).....	2
11	00-012430-00055	Key 3/16 x 3/16 x 1.....	1
12	00-065062-00001	Pin - Dowel.....	1
13	00-874739	Shaft - Agitator.....	1
14	00-023482	Seal - Oil (1 In. I.D.).....	1
15	BB-005-34	Ball Bearing.....	1
16	BB-018-17	Bearing - Ball Hoover.....	1

* For service order part number 00-916332.

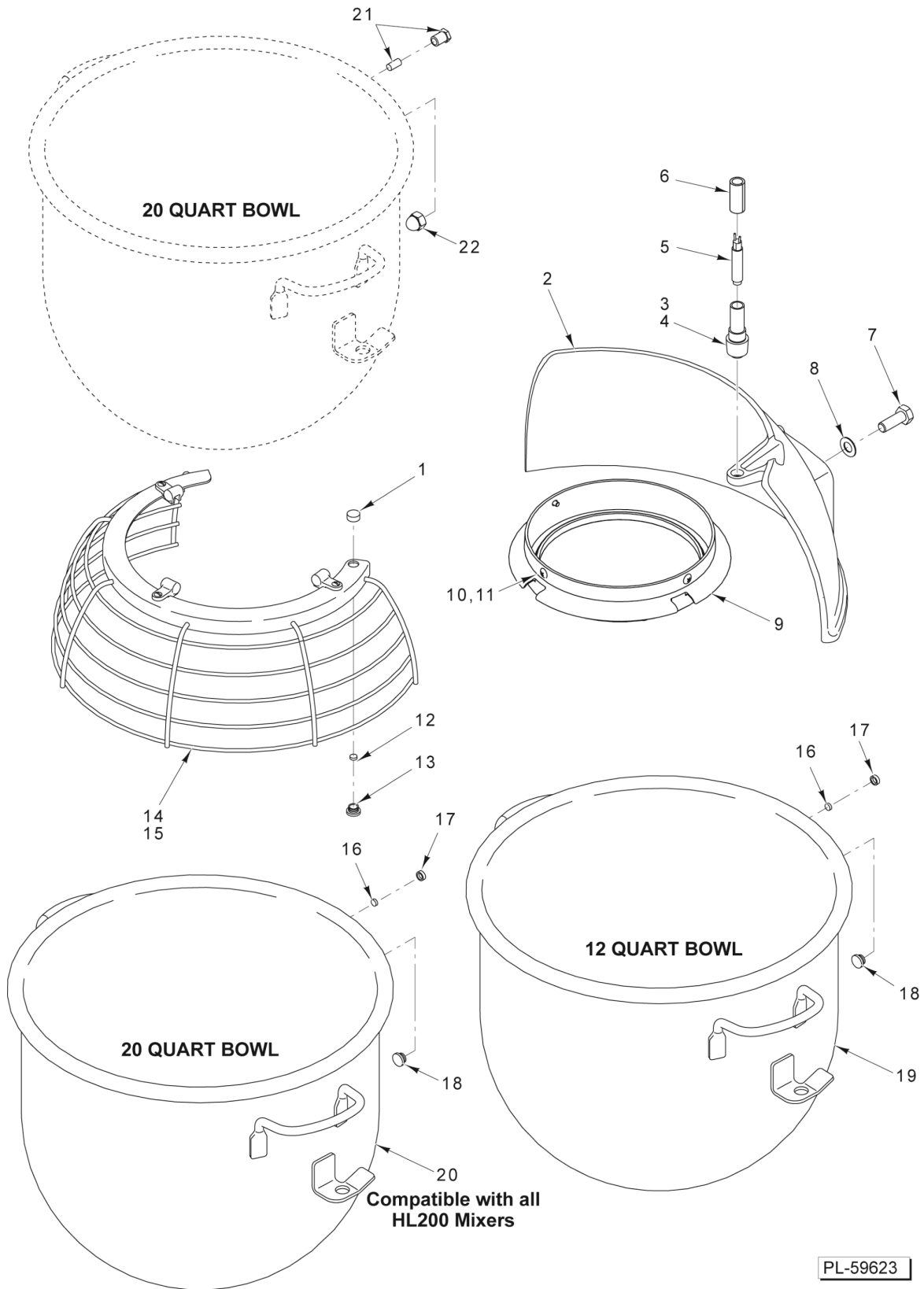


PL-59582

**PLANETARY
(CURRENT CONSTRUCTION)
(STARTING S/N 311386989)**

**PLANETARY
(CURRENT CONSTRUCTION)
(STARTING S/N 311386989)**

ILLUS. PL-59582	PART NO.	NAME OF PART	AMT.
1	00-438524-00002	Gear - Internal (63T).....	1
2	WL-003-35	Lockwasher 1/4 Helical.....	6
3	SC-040-09	Cap Screw 1/4-20 x 1-1/4 Hex Socket Hd.....	6
4	SC-066-13	Mach. Screw 8-32 x 1/4 Phil. Truss Hd. (SST).....	3
5	SC-128-73	Mach. Screw 8-32 x 1/4 Tx. Button Hd. (SST) (Correctional).....	3
6	00-916336	Plug - Friction (1 In. Dia.).....	1
7	RR-004-18	Retaining Ring.....	1
8	00-916335	Pinion - Beater Shaft.....	1
9	00-916512	Seal - Upper Agitator Shaft.....	1
10	BB-018-17	Bearing - Ball Hoover.....	1
11	00-874770	Spacer - Bowl Scraper.....	2
12	SC-053-46	Mach. Screw 1/4-20 x 3/4 Slotted Truss Hd. (SST).....	2
13	00-012430-00055	Key 3/16 x 3/16 x 1.....	1
14	00-065062-00001	Pin - Dowel.....	1
15	00-937706	Shaft - Agitator & Pin Assy.....	1
16	00-023482	Seal - Oil (1 In. I.D.).....	1
17	BB-005-34	Ball Bearing.....	1
18	00-916333-00001	Planetary (Gray).....	1
19	00-916333-00003	Planetary (Blue) (ML-141110).....	1
20	00-916333-00004	Planetary (Red) (ML-141115).....	1
21	00-916332	Planetary Subassy. (Gray) (Incls. Items 6 thru 18).....	1

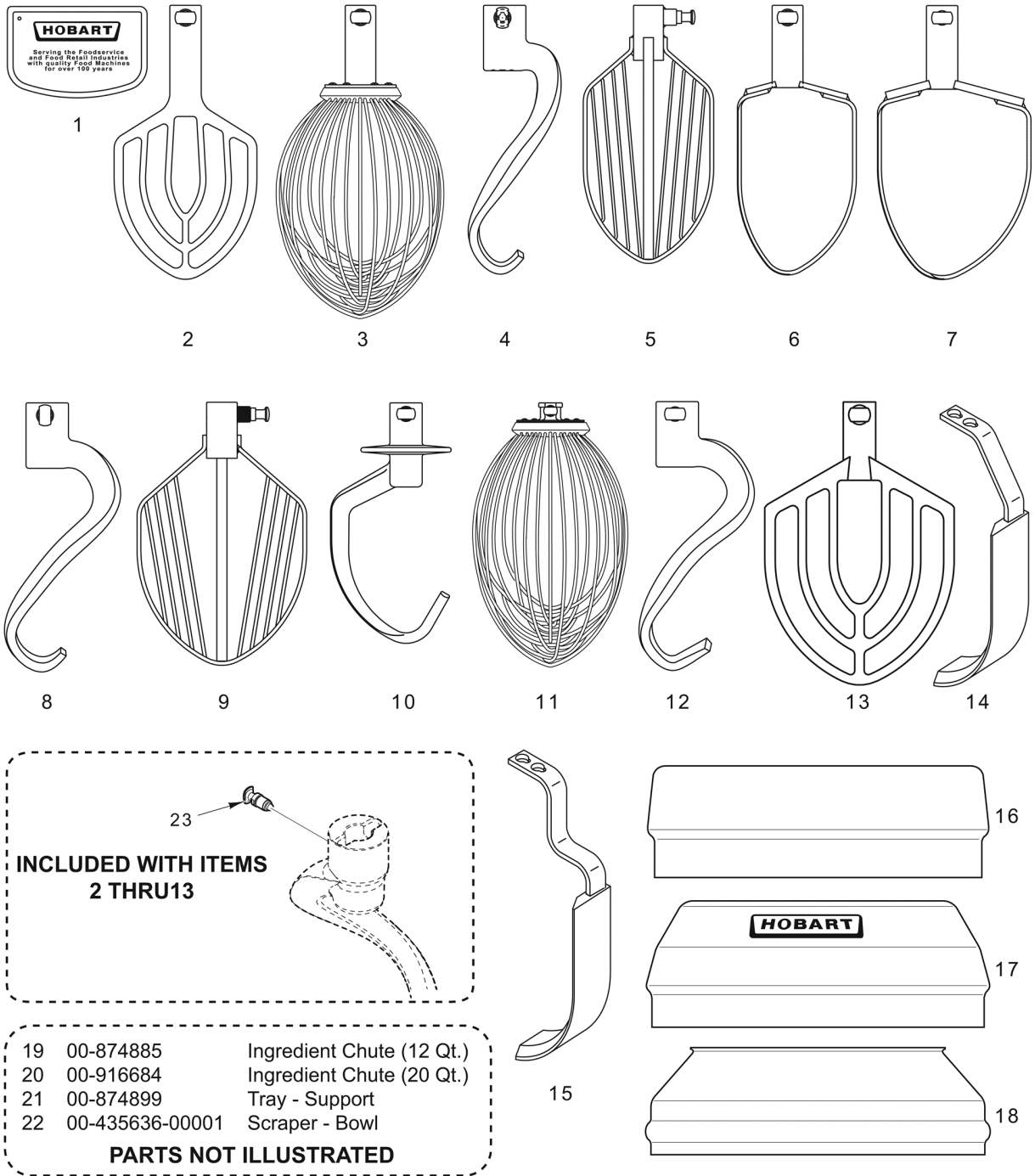


BOWL AND BOWL GUARD

BOWL AND BOWL GUARD

ILLUS.	PART NO.	NAME OF PART	AMT.
PL-59623			
1	00-917357	Holder - Magnet (Upper).....	1
2	00-917234	Guard - Splash.....	1
3	00-917232	Holder - Switch Reed (1/2 - 20 UNF-2B).....	1
4	00-874839	Pin - Sensor.....	1
5	00-087711-00352	Switch - Reed.....	1
6	00-937354	Tube - Split.....	1
7	SC-118-18	Cap Screw 1/4-20 x 7/8 Hex Hd.....	2
8	WS-003-19	Washer.....	2
9	00-917272	Cup - Drip & Flange.....	1
10	SC-066-13	Mach. Screw 8-32 x 1/4 Phil. Truss Hd. (SST).....	3
11	SC-128-73	Mach. Screw 8-32 x 1/4 Tx. Button Hd. (SST) (Correctional).....	3
12	00-874875	Magnet - Disc.....	1
13	00-917358	Holder - Magnet (Lower).....	1
14	00-937163-00001	Wire Cage Assy. (Incls. Items 1, 12, & 13).....	1
15	00-937163-00002	Wire Cage Assy. (Incls. Items 1, 12, & 13) (Correctional).....	1
16	00-874875	Magnet - Disc.....	1
17	00-917357	Holder - Magnet (Upper).....	1
18	00-917358	Holder - Magnet (Lower).....	1
19	00-874864	Bowl Assy. (12 Qt.) (SST) (Packaged) (Incls. Items 16, 17, & 18).....	1
*20	00-917720	Bowl Assy. (20 Qt.) (SST) (Packaged) (Incls. Items 16, 17, & 18).....	1
21	00-917527	Housing - Magnet.....	1
22	NS-025-11	Crown Nut 3/8-24.....	1

* (Compatible with all HL200 Mixers)

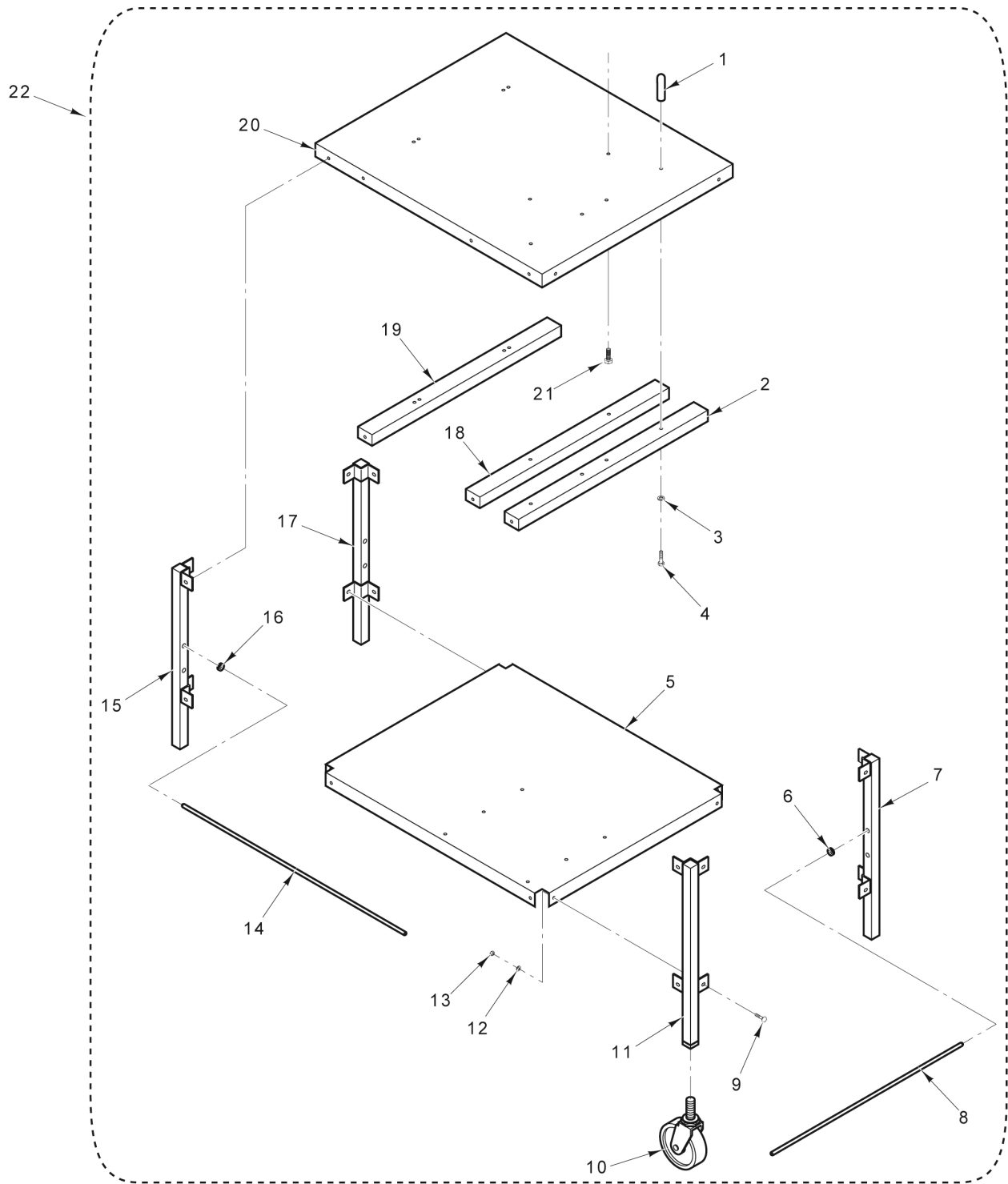


PL-59590

AGITATORS AND ACCESSORIES

AGITATORS AND ACCESSORIES

ILLUS. PL-59590	PART NO.	NAME OF PART	AMT.
1	00-118801	Scraper - Bowl (Handheld).....	1
2	00-874828	"B" Beater (12 Qt.) (Packaged) (Incls. Item 1).....	1
3	00-873360	"D" Wire Whip (12 Qt.) (Packaged) (Incls. Item 1).....	1
4	00-873343	ED Dough Arm (12 Qt.) (Packaged) (Incls. Item 1).....	1
5	00-875893	"C" Whip (12 Qt.) (Packaged) (Incls. Item 1).....	1
6	00-873370	Pastry Knife (12 Qt.) (Packaged) (Incls. Item 1).....	1
7	00-873294	Pastry Knife (20 Qt.) (Packaged) (Incls. Item 1).....	1
8	00-873313	"EDA" Dough Arm (20 Qt.) (Packaged) (Incls. Item 1) (Auntie Anne's).....	1
9	00-873331	"C" Whip (20 Qt.) (Packaged) (Incls. Item 1).....	1
10	00-873335	"E" Dough Arm (20 Qt.) (Packaged) (Incls. Item 1).....	1
11	00-874792	D Wire Whip (20 Qt.) (Packaged) (Incls. Item 1).....	1
12	00-874791	"ED" Dough Arm (20 Qt.) (Packaged) (Incls. Item 1).....	1
13	00-874790	"B" Beater (20 Qt.) (Packaged) (Incls. Item 1).....	1
14	00-873373	Scraper (12 Qt.) (Packaged).....	1
15	00-874836	Scraper (20 Qt.) (Packaged).....	1
16	00-438078	Splash Cover & Bowl Extension (12 Qt.) (Packaged).....	1
17	00-438079	Splash Cover & Bowl Extension (20 Qt.) (Packaged).....	1
18	00-875677	Splash Cover (20 Qt.) (Packaged) (SST).....	1
19	00-874885	Ingredient Chute (12 Qt.) (Packaged).....	1
20	00-916684	Ingredient Chute (20 Qt.) (Packaged).....	1
21	00-874899	Tray - Support (Packaged).....	1
22	00-435636-00001	Scraper - Bowl.....	1
23	00-874753	Plunger Assy.....	AR

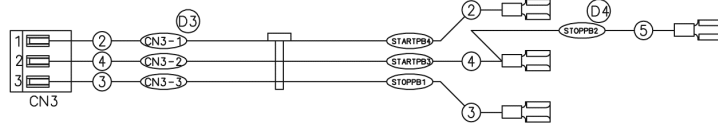


PL-59583

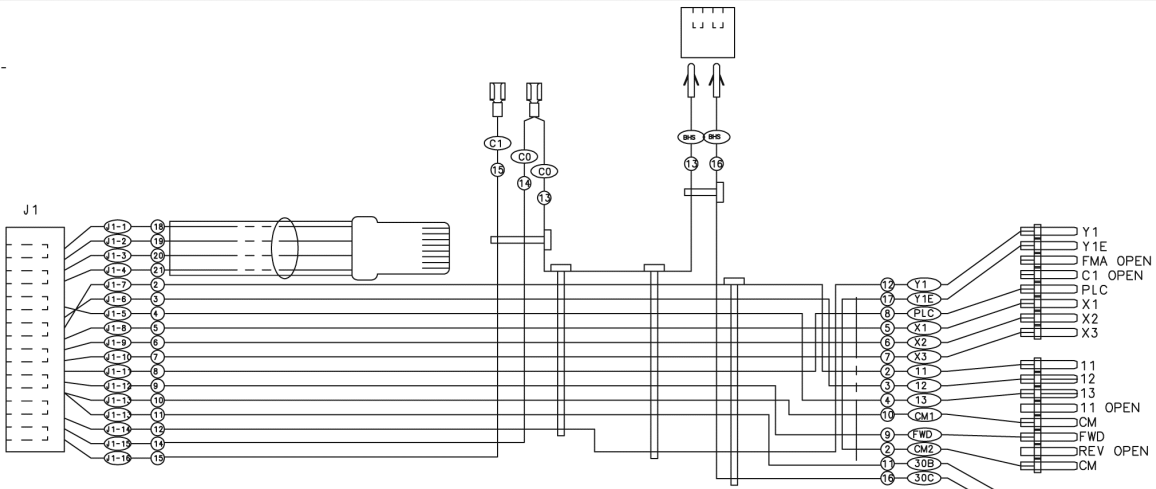
MIXER TABLE (ML-134299)

MIXER TABLE (ML-134299)

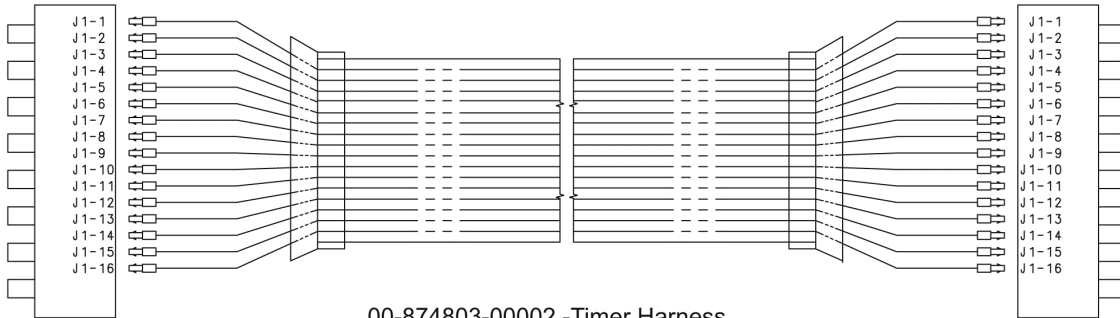
ILLUS.	PART NO.	NAME OF PART	AMT.
1	00-124075	NLA - Obsolete--Post.....	4
2	00-124067	NLA - Obsolete--Support - Cross Top.....	1
3	WL-004-06	Lockwasher 3/8 Helical.....	8
4	SC-037-71	Cap Screw 3/8-16 x 3/4 Hex Hd.....	8
5	00-123427	Shelf - Table.....	1
6	00-124076	Grommet.....	4
7	00-124073	Leg - Rear (LH).....	1
8	00-124074-00002	Rod (Short).....	2
9	SC-094-26	Bolt - Carriage 1/4-20 x 1/2.....	22
10	00-205003	Caster - Locking.....	4
11	00-124070	Leg - Rear (RH).....	1
12	WS-005-01	Washer.....	22
13	NS-013-02	Nut 1/4-20 Hex.....	22
14	00-124074-00001	NLA - Obsolete--Rod (Long).....	4
15	00-124071	NLA - Obsolete--Leg - Front (RH).....	1
16	00-124076	Grommet.....	8
17	00-124072	Leg - Front (LH).....	1
18	00-875983	Support - Cross Top.....	1
19	00-124069	NLA - Obsolete--Support - Cross Top.....	1
20	00-875982	Top.....	1
21	SC-133-19	Screw, Cap 3/8-16 x 3/4.....	4
22	ML-141060-0000Z	Table Assy., Complete.....	1



00-916566-00001 - Switch Harness



00-874888-00001 - Controller Harness
(Pin Type Harness Connector, Dual Harness Construction) (Previous Construction)



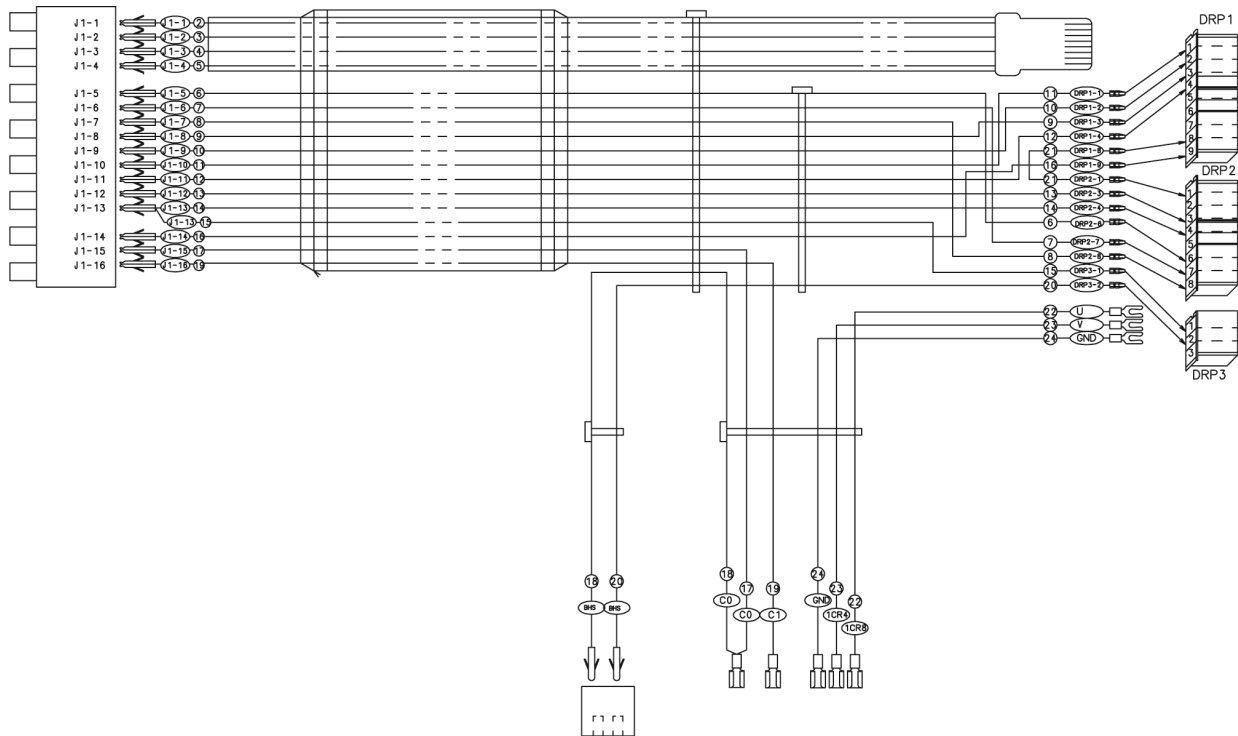
00-874803-00002 -Timer Harness
(Dual Harness Construction) (Previous Construction)

PL-59624

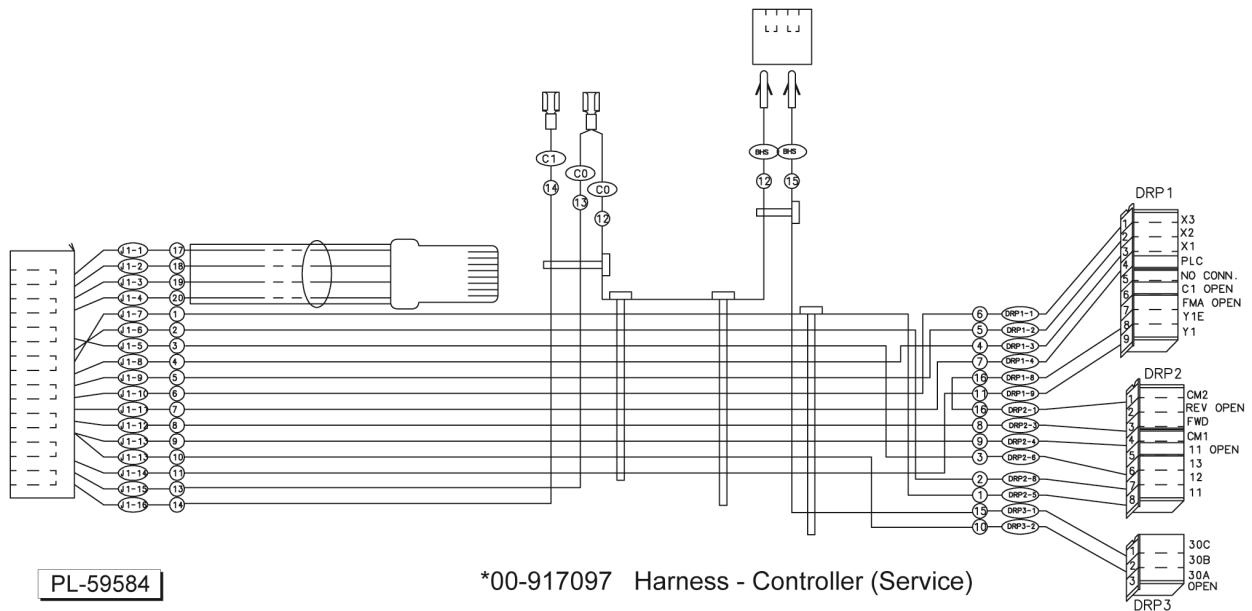
WIRING HARNESS

WIRING HARNESS

ILLUS.	PART NO.	NAME OF PART	AMT.
PL-59624			
1	00-916566-00001	Switch Harness.....	1
2	00-874888-00001	Controller Harness.....	1
3	00-874803-00002	Timer Harness.....	1



00-917132-00001 Harness - Main Wiring
(Single Harness Construction) (Current Construction)



*00-917097 Harness - Controller (Service)

WIRING HARNESS (CONTINUED)

WIRING HARNESS (CONTINUED)

ILLUS.	PART NO.	NAME OF PART	AMT.
1	00-917132-00001	Harness - Main Wiring.....	1
*2	00-917097	Harness - Drive Service.....	1

* Use when replacing controller with pin type connections with controller with controller with plug-in style harness connectors (Dual Harness Construction).

