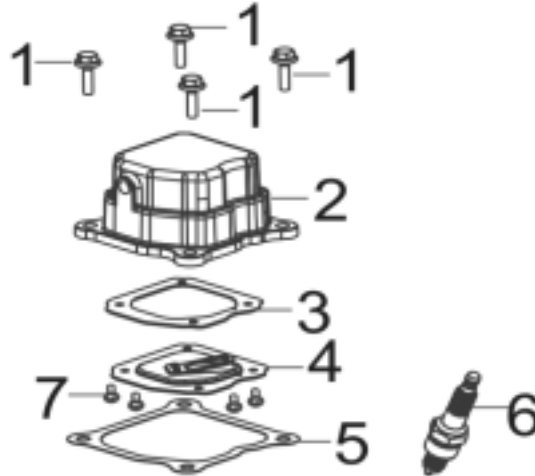




1200 WATT INVERTER BREAKDOWN

BE1200I

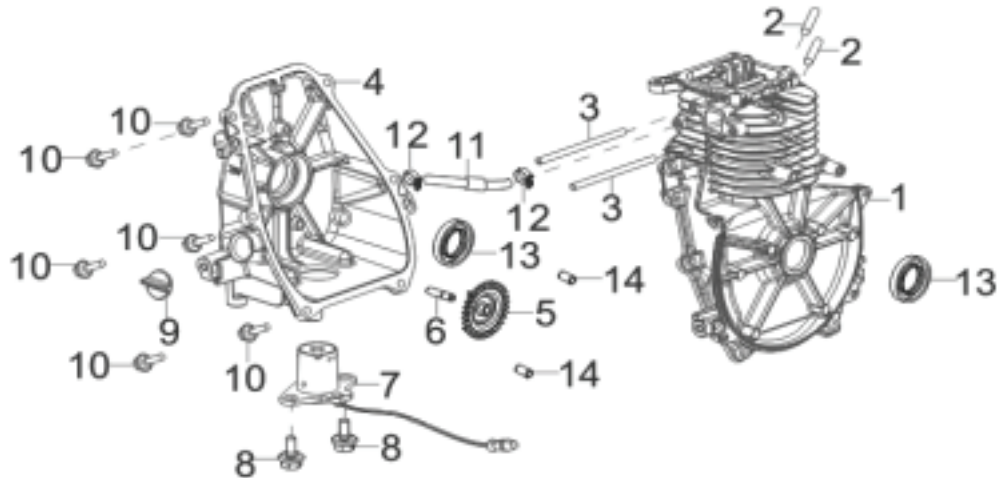
CYLINDER / SPARK PLUG HEAD SUBASSEMBLY



CYLINDER / SPARK PLUG HEAD SUBASSEMBLY

REF #	Main Description	Secondary Description	QTY	Part #
5	Cylinder Head Cover Gasket	Cylinder Head Cover Gasket	1	85.571.538
6	Spark Plug	Spark Plug	1	85.571.522

CRANKCASE / COVER ASSEMBLY



CRANKCASE / COVER ASSEMBLY

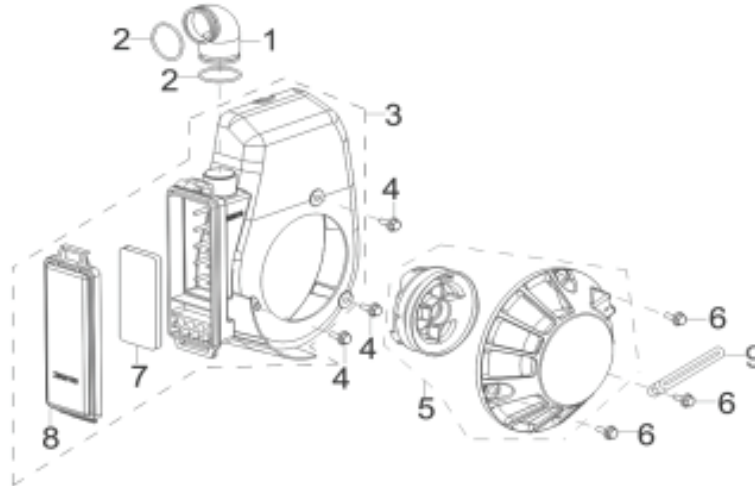
REF #	Main Description	Secondary Description	QTY	Part #
1	Engine Oil Plug Subassembly	Engine Oil Plug Subassembly	1	85.571.539



1200 WATT INVERTER BREAKDOWN

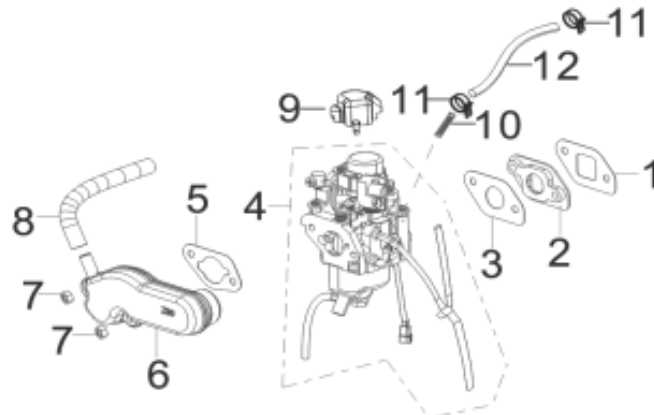
BE1200I

RECOIL STARTER



RECOIL STARTER				
REF #	Main Description	Secondary Description	QTY	Part #
5	Recoil Starter Assy	Recoil Starter Assy	1	85.571.540
7	Air Cleaner Element	Air Cleaner Element	1	85.571.541

CARBURETOR ASSY



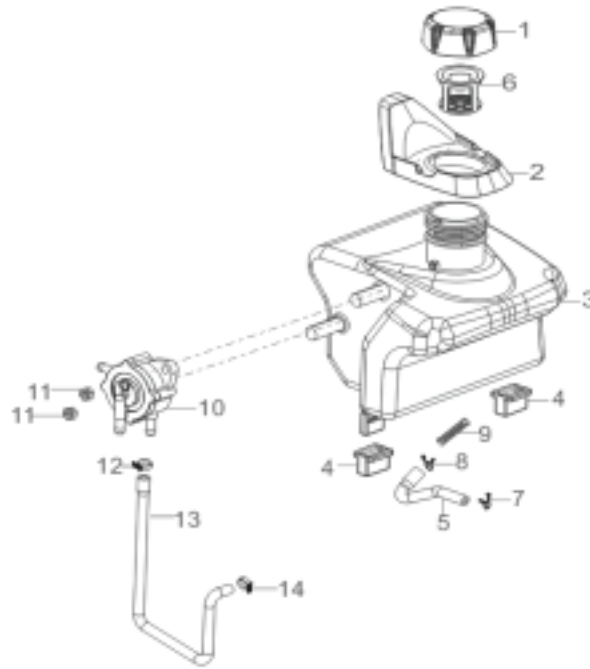
CARBURETOR ASSY				
REF #	Main Description	Secondary Description	QTY	Part #
1	Carburetor Assy Kit	Carburetor Gasket	1	85.571.542
2		Carburetor Insulator Plate	1	
3		Carburetor Insulator Gasket	1	
4		Carburetor Assy	1	
5		Air Cleaner Gasket	1	
9		Cap	1	
10		Fuel Strainer	1	
11		Clamp	1	
12		Fuel Tube	1	



1200 WATT INVERTER BREAKDOWN

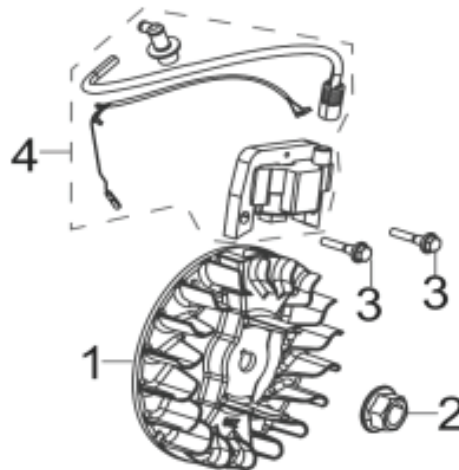
BE1200I

FUEL TANK



FUEL TANK				
REF #	Main Description	Secondary Description	QTY	Part #
1	KIT	Fuel Cap	1	85.571.543
6		Fuel Strainer	1	
9	Strainer Element	Strainer Element	1	85.571.544
10	Kit	Gasoline Pump Assy	1	85.571.545
11		Nut	1	
12		Clamp	1	
13		Fuel Tube	1	
14		Clamp	1	

IGNITION COIL



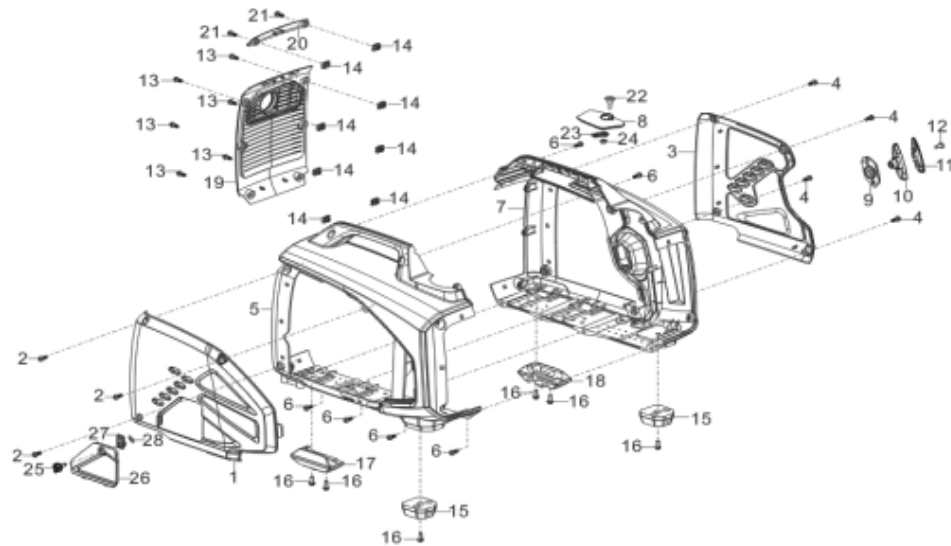
FUEL TANK				
REF #	Main Description	Secondary Description	QTY	Part #
1	Ignition Coil	Ignition Coil	1	85.571.546



1200 WATT INVERTER BREAKDOWN

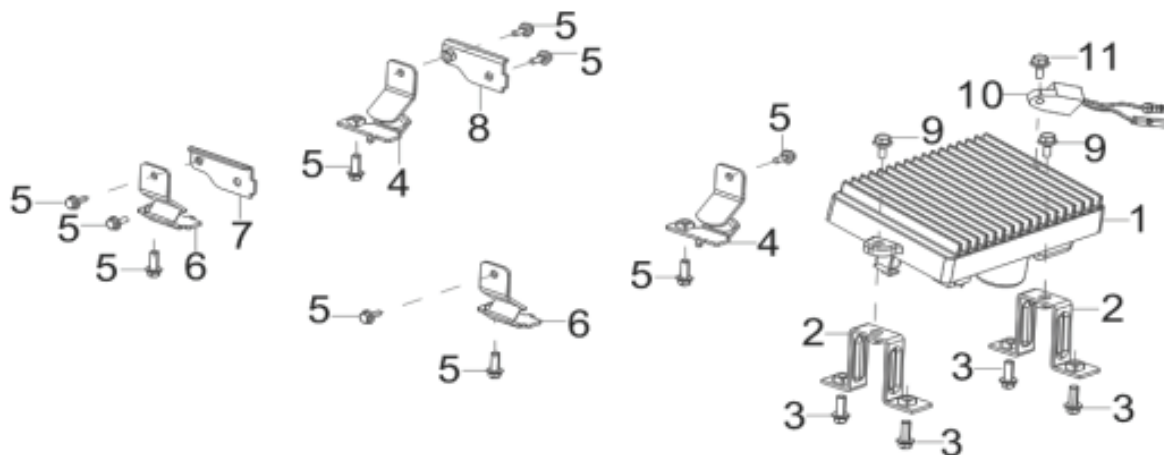
BE1200I

COVER



COVER				
REF #	Main Description	Secondary Description	QTY	Part #
1	Left Cover Board	Left Cover Board	1	85.571.530
3	Right Cover Board	Right Cover Board	1	85.571.531
5	Left Shell	Left Shell	1	85.571.532
6	Right Shell	Right Shell	1	85.571.533

MOUNT



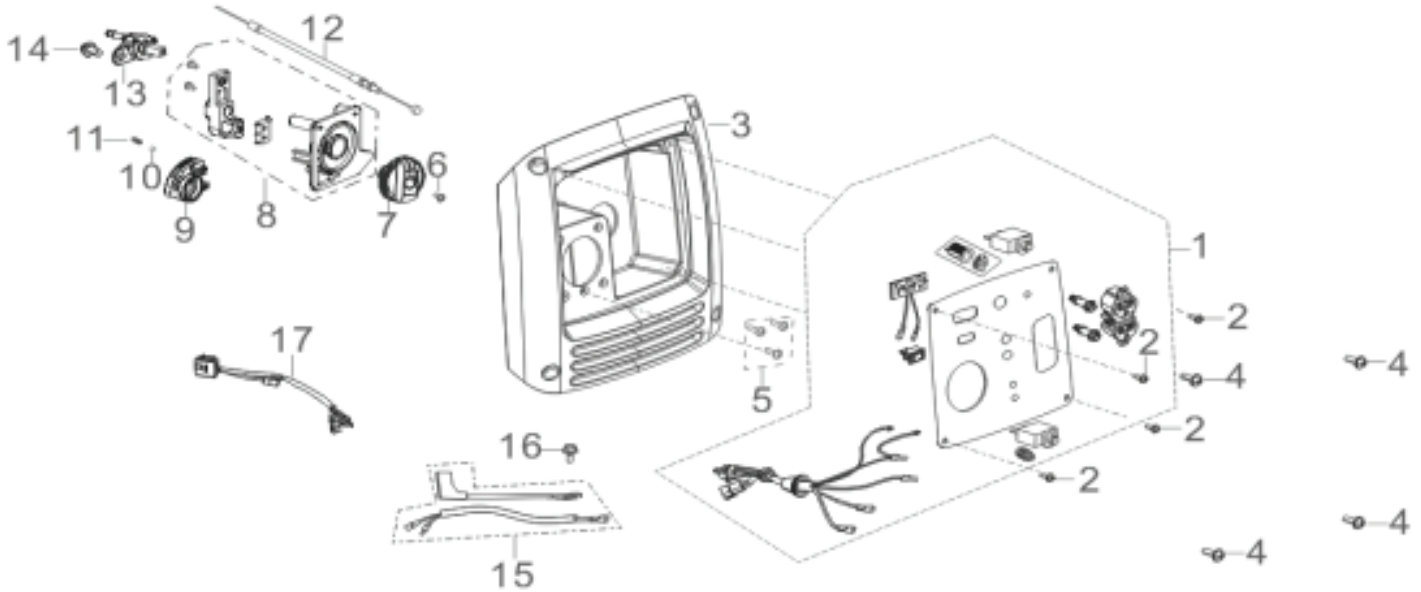
MOUNT				
REF #	Main Description	Secondary Description	QTY	Part #
1	Inverter	Inverter	1	85.571.549



1200 WATT INVERTER BREAKDOWN

BE1200I

CONTROL PANEL ASSY



Crankcase Cover				
REF #	Main Description	Secondary Description	QTY	Part #
1		Control Panel Assy	1	85.571.547
2	Control Panel Assy	Crosshead Headband Bolts	4	
3		Panel Seat	1	
4		Hexagon Step Bolts	4	
6	Fuel Shut Off Assy	Screw	3	85.571.548
7		Knob	1	
8		Switch Assembly	1	
9		Cover Plate	1	
10		Steel Ball	1	
11		Stopper Adjusting Spring	1	
12		Choke Handle Subassembly	1	
13		Fuel Cock Assy	1	
14	Bolt	1		