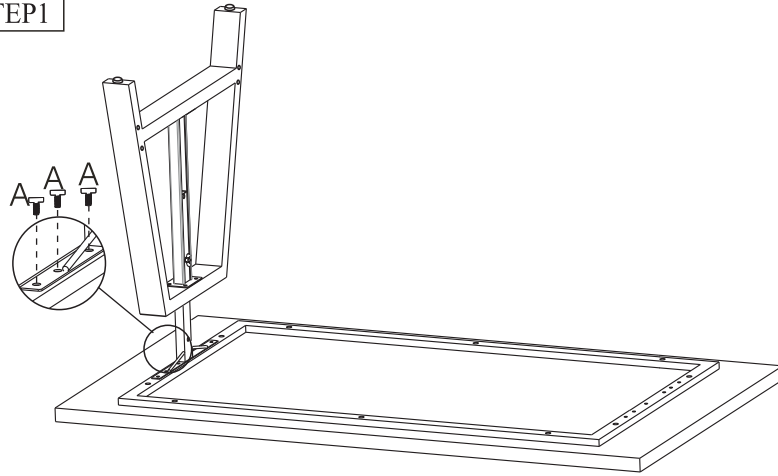


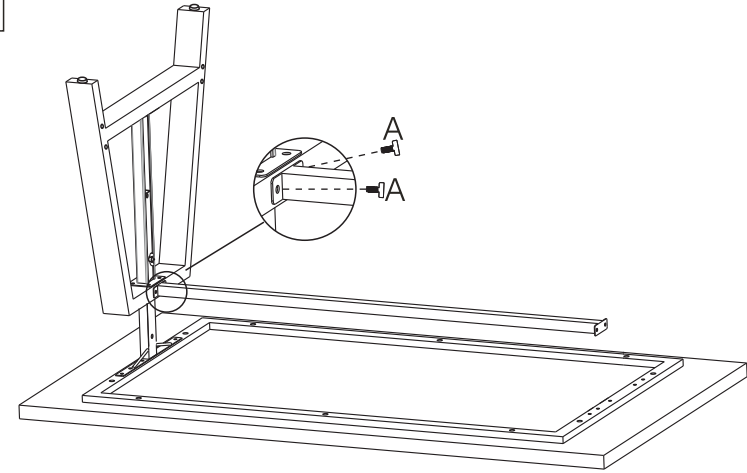
Y3444-68 MATHIS-ADJUSTABLE DINING/PUB TBL

Please up the table leg to 36" before assemble .

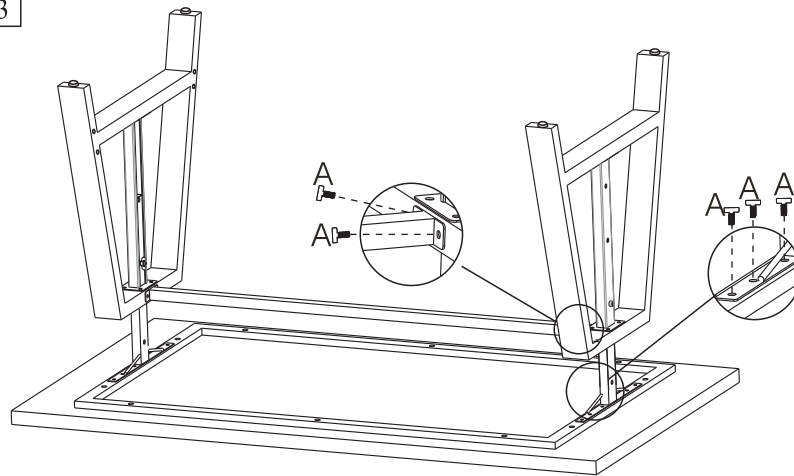
STEP1



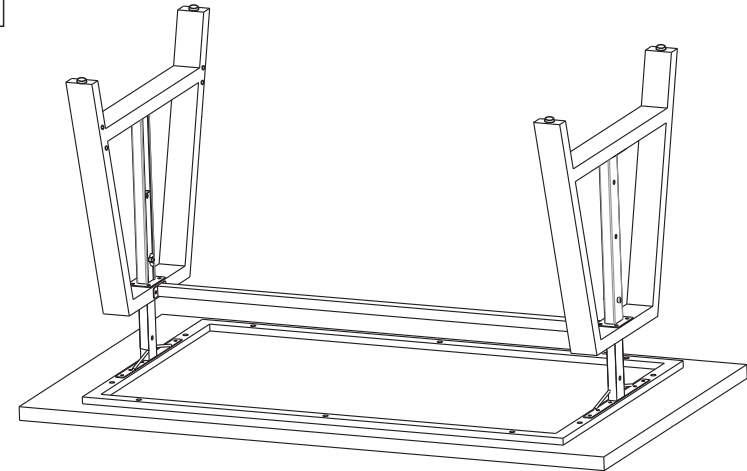
STEP2



STEP3



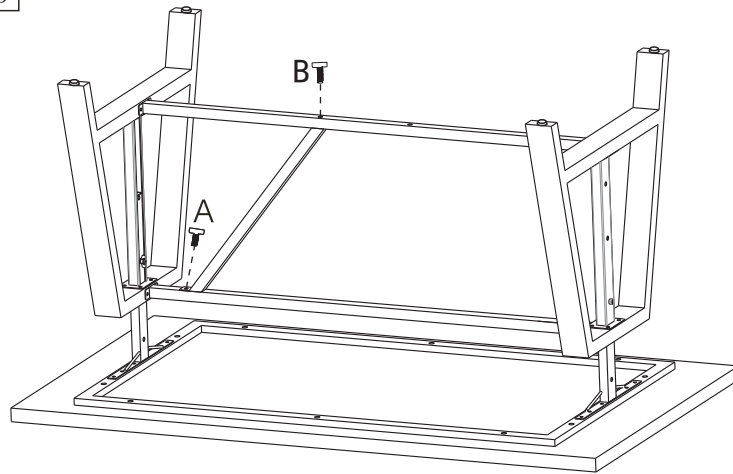
STEP4



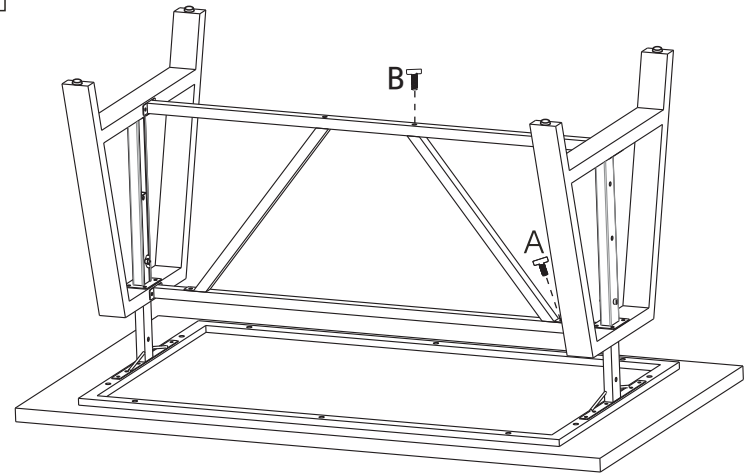
Note: Pls do not tighten all bolts until the products is assembled completely.

Y3444-68 MATHIS-ADJUSTABLE DINING/PUB TBL

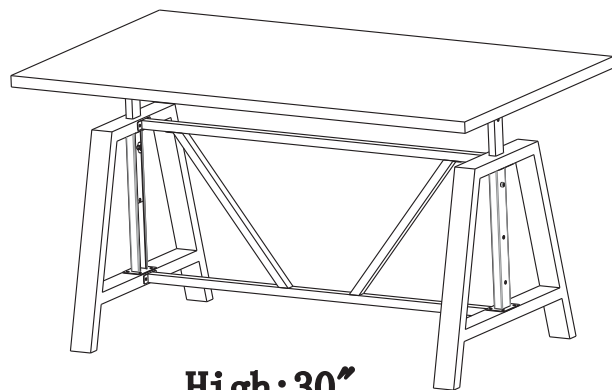
STEP 5



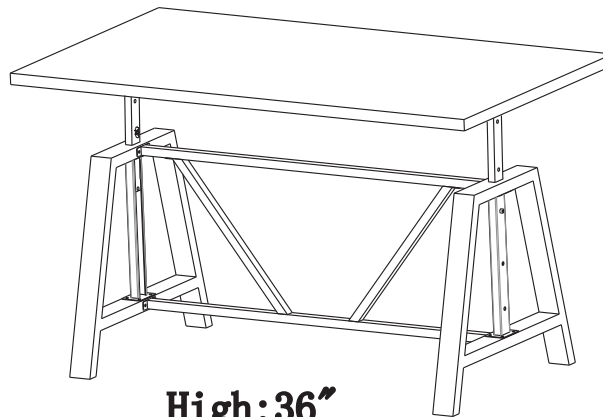
STEP 6






STEP 7



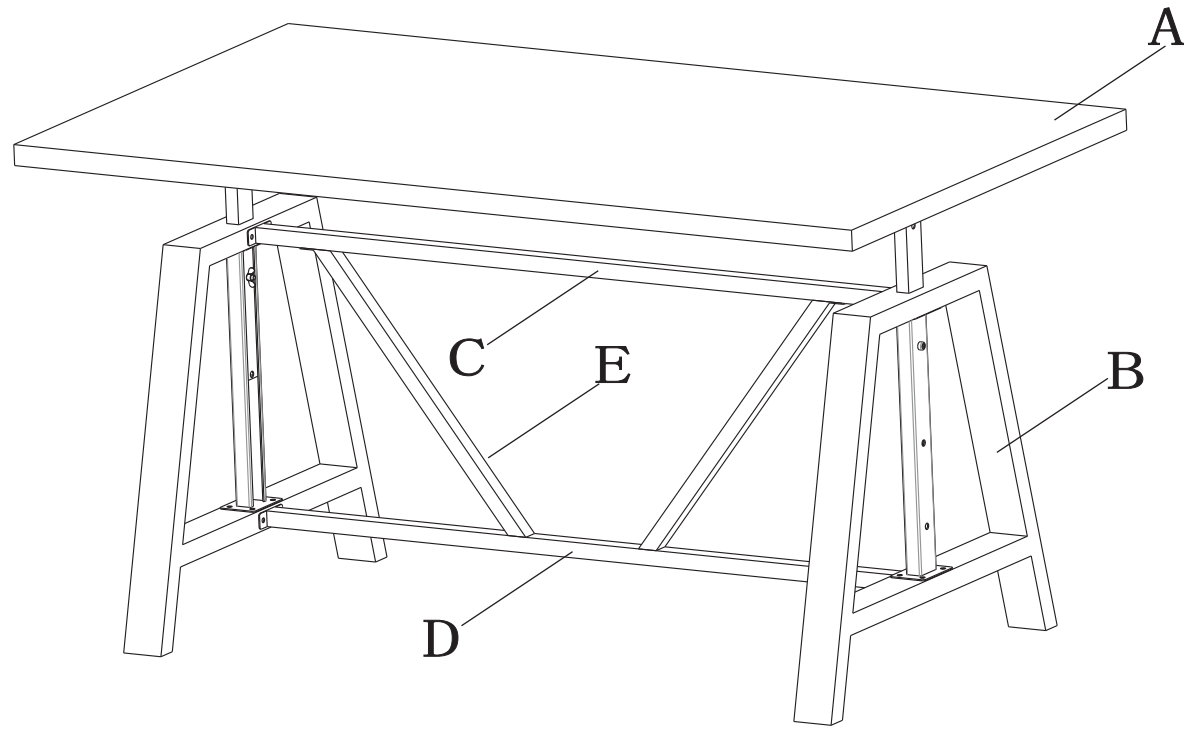
High: 30"


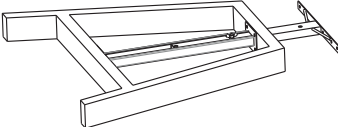





High: 36"

Y3444-68 HDWR			
A		22X	1/4"*12mm
B		2X	1/4"*35mm
C		1X	S4

Note: Pls do not tighten all bolts until the products is assembled completely.



Y3444-68	A		1X	B		2X	C		1X
	D		1X	E		2X			